

X-CELL

Spectra-G

3-D

Kit Drawings

#125-100B - Extreme Head



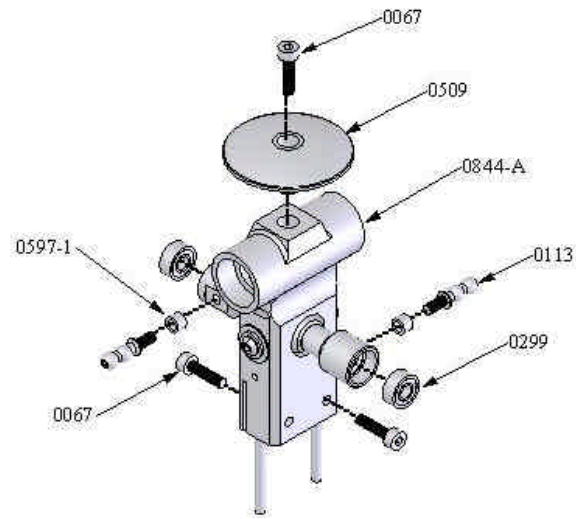
miniature aircraft usa

31713 Long Acres Drive
Sorrento, FL 32776

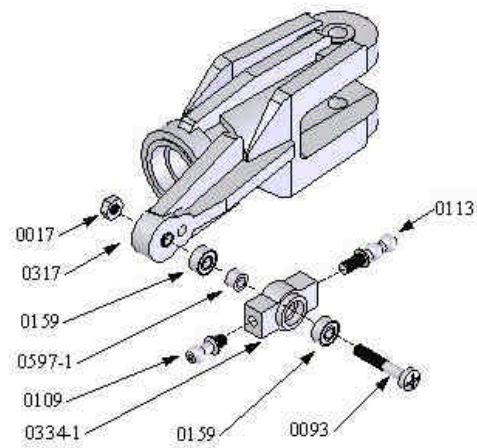
Phone (352)-383-3201 FAX (352)-383-3204

Website: www.miniatureaircraftusa.com

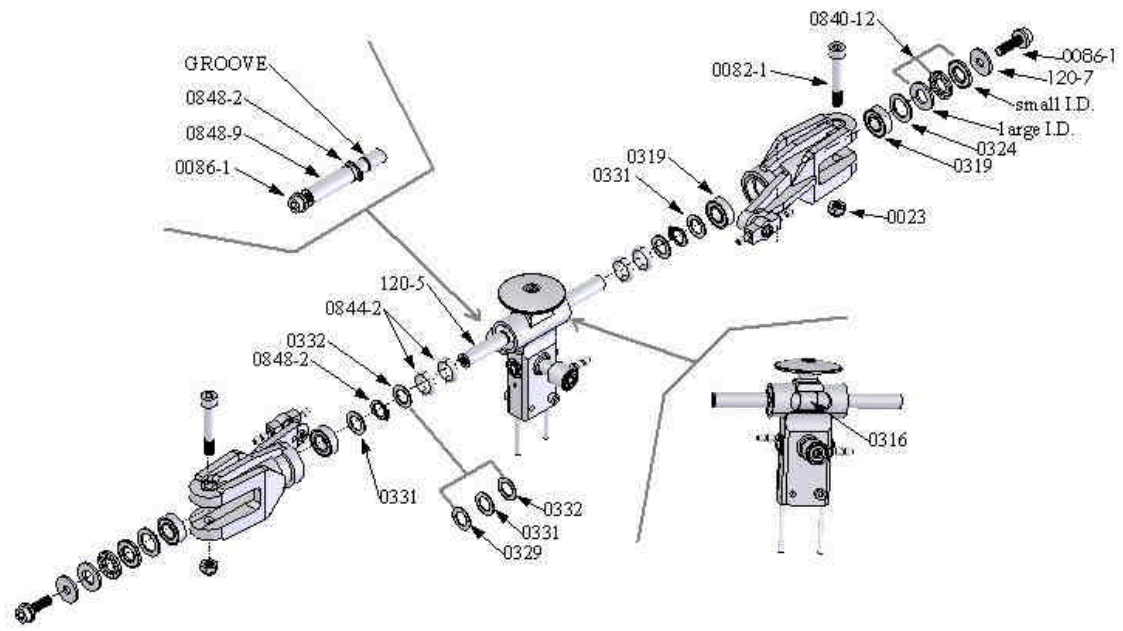
E-Mail: minair@earthlink.net



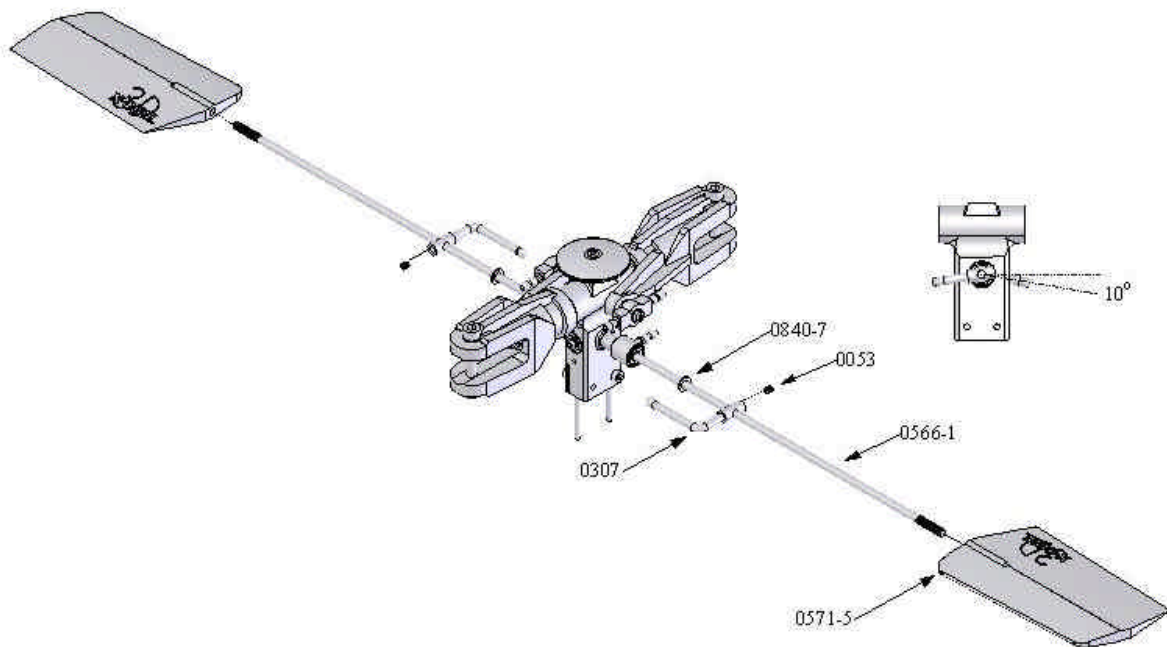
Drawing #1-A



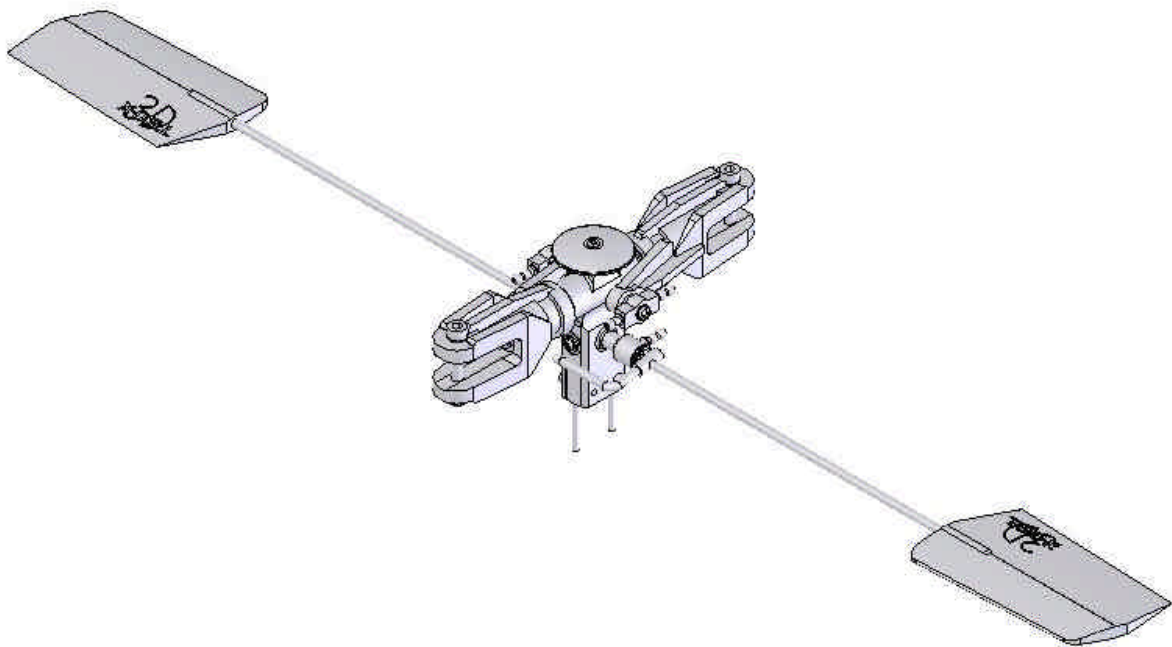
Drawing #1-B



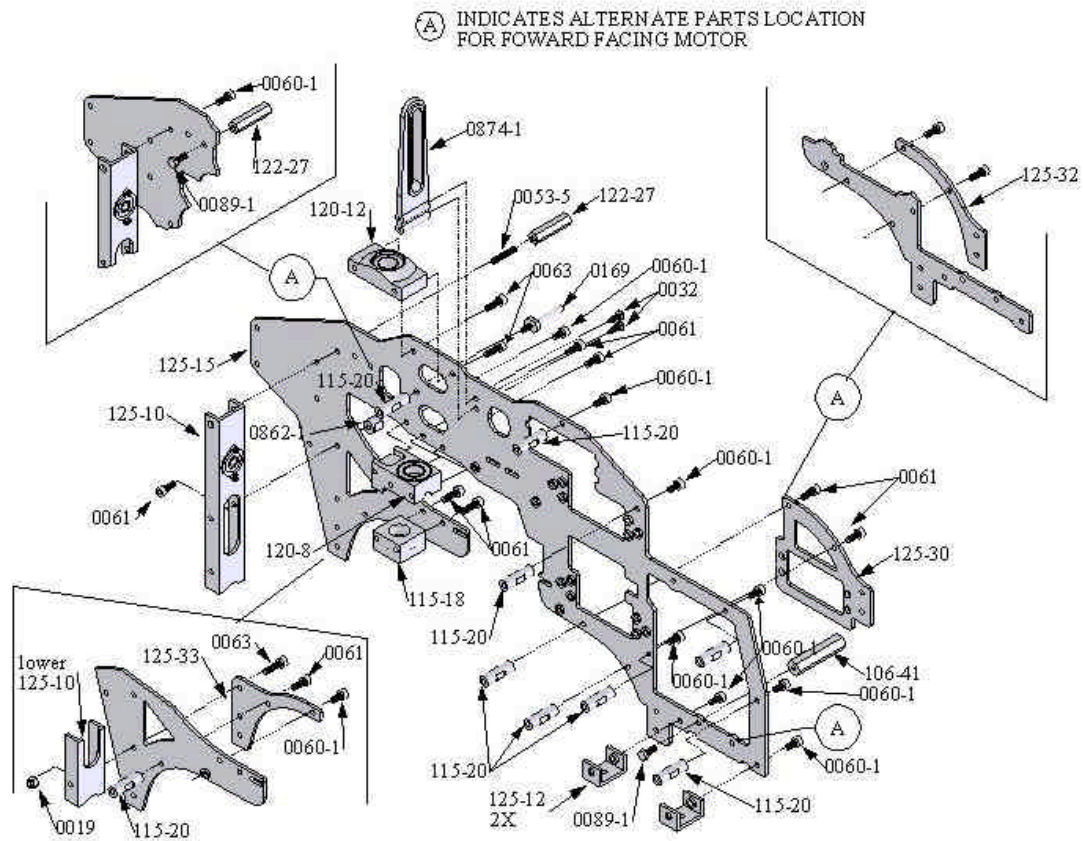
Drawing #1-C



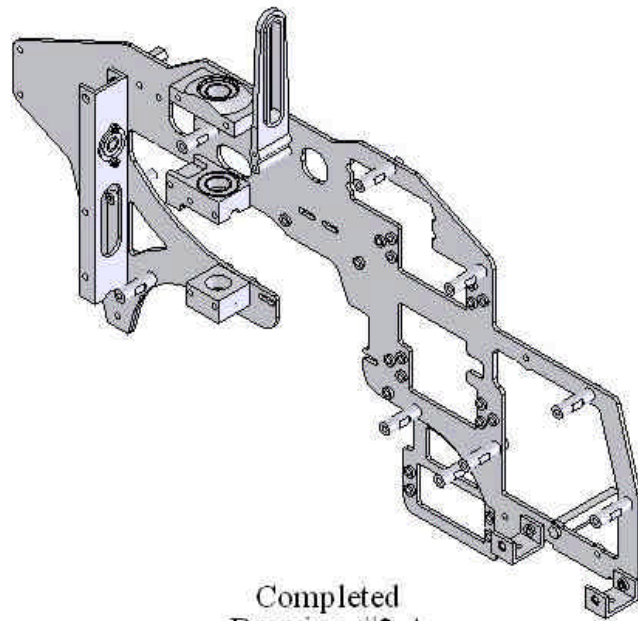
Drawing #1-D



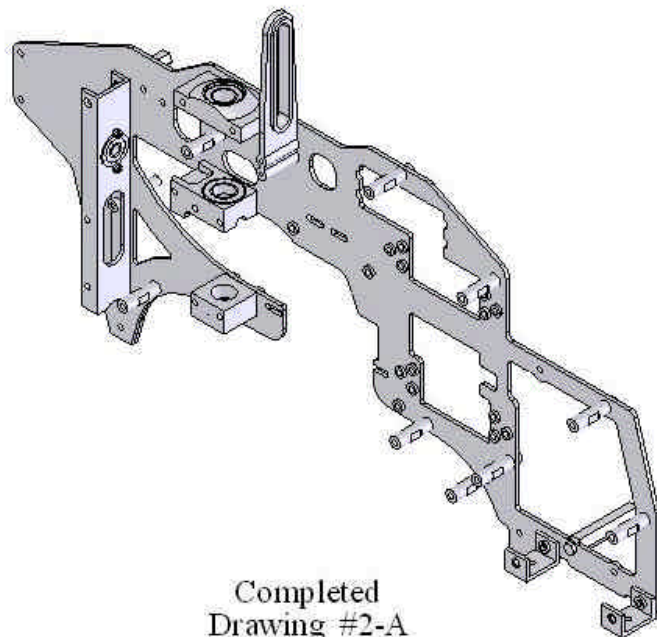
Completed
Drawing #1



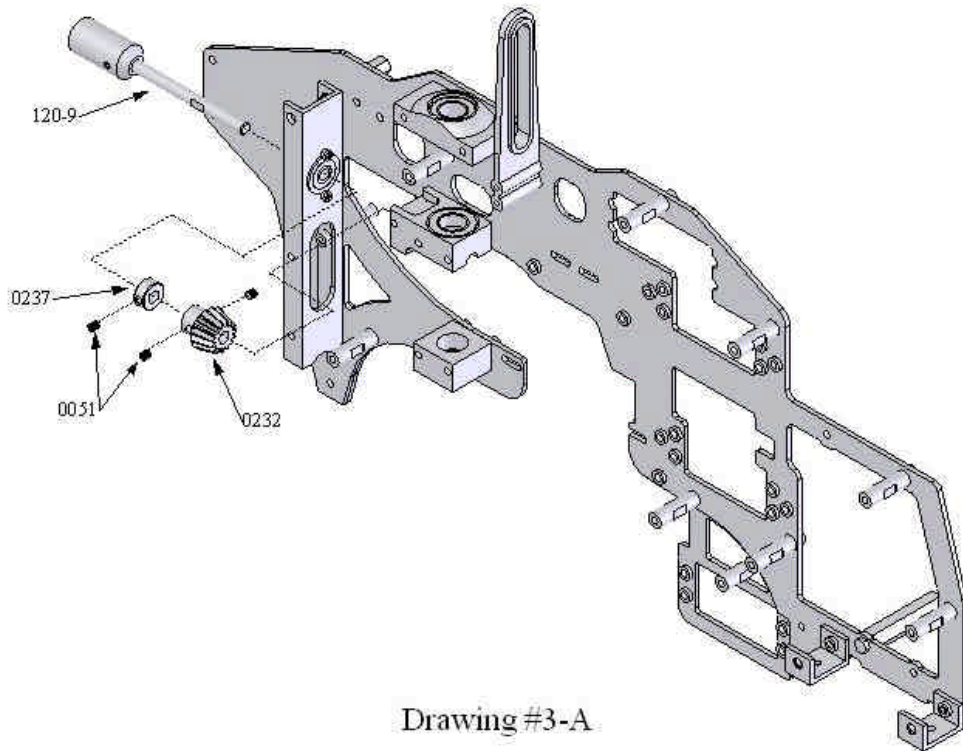
Drawing #2-A



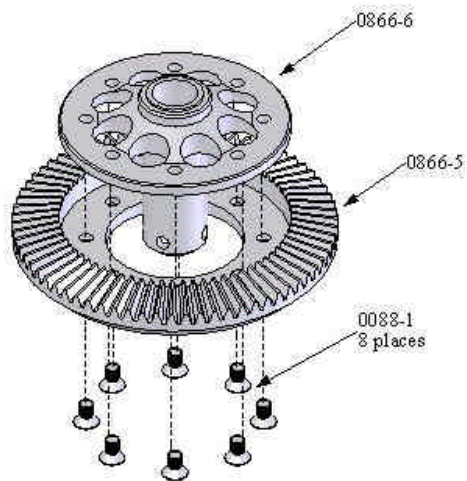
Completed
Drawing #2-A
rearward facing motor



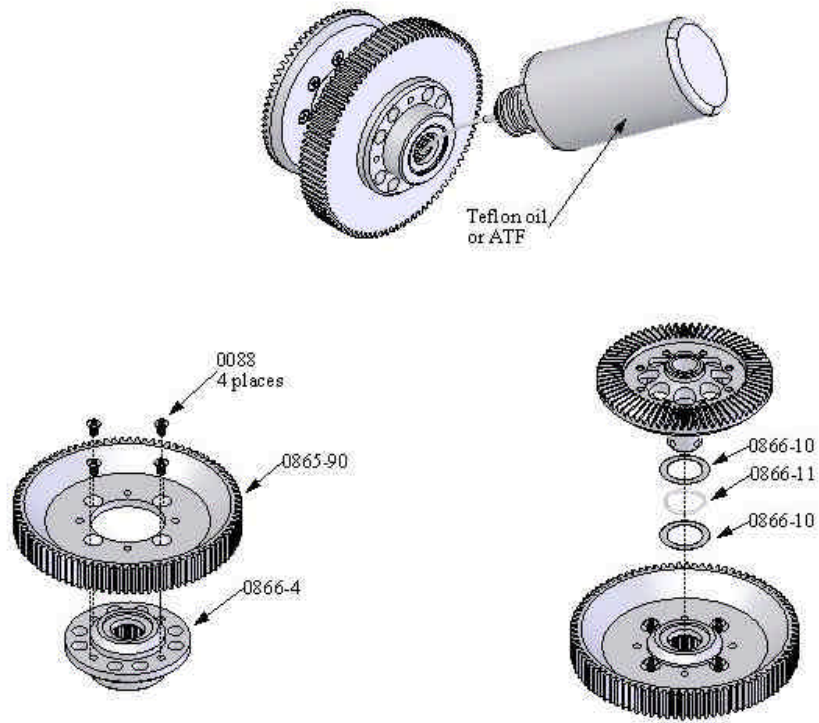
Completed
Drawing #2-A
forward facing motor



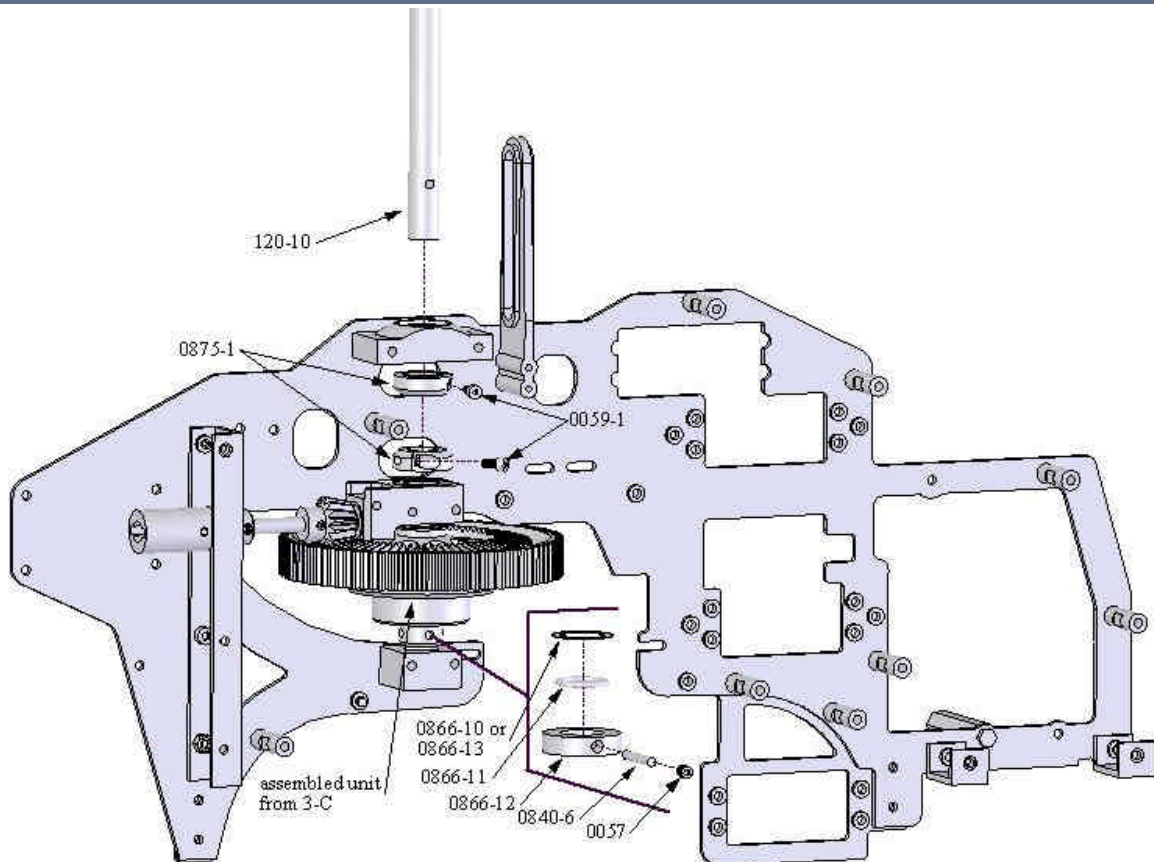
Drawing #3-A



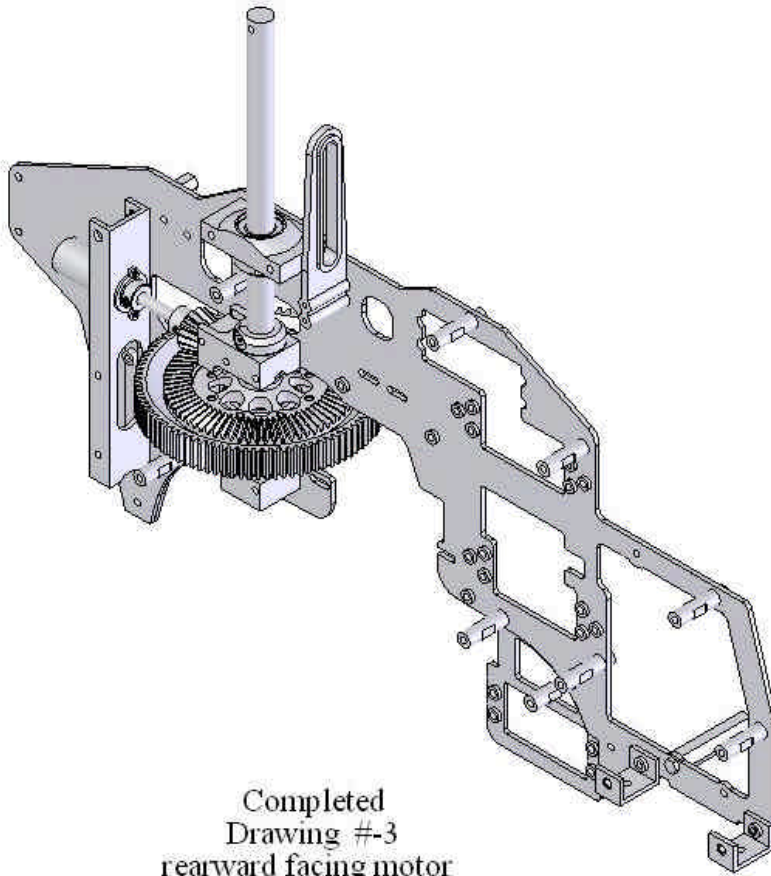
Drawing #3-B



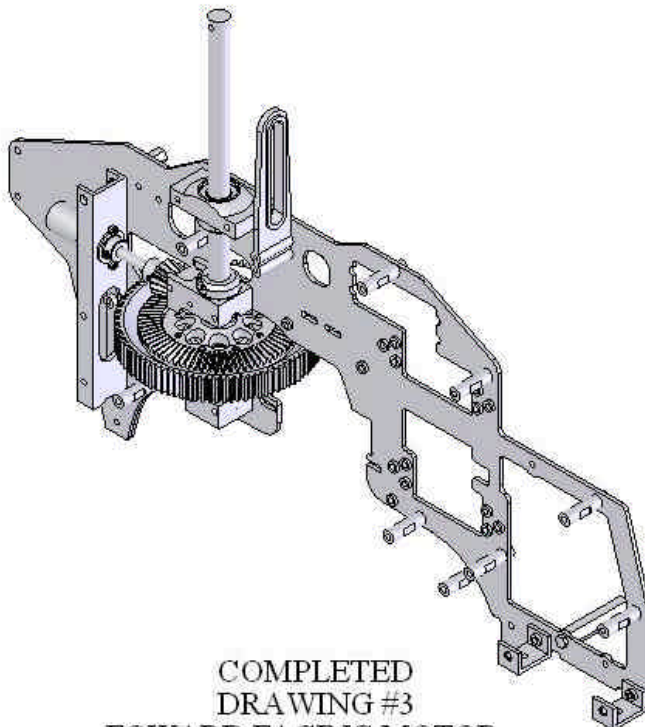
Drawing #3-C



Drawing #3-D

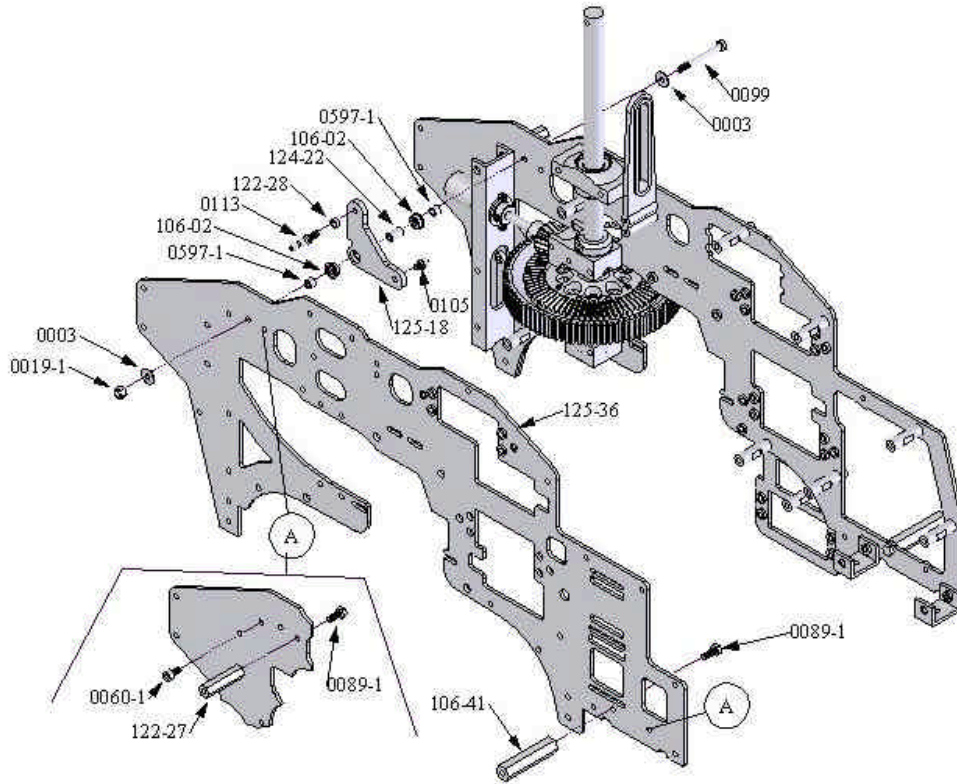


Completed
Drawing #-3
rearward facing motor



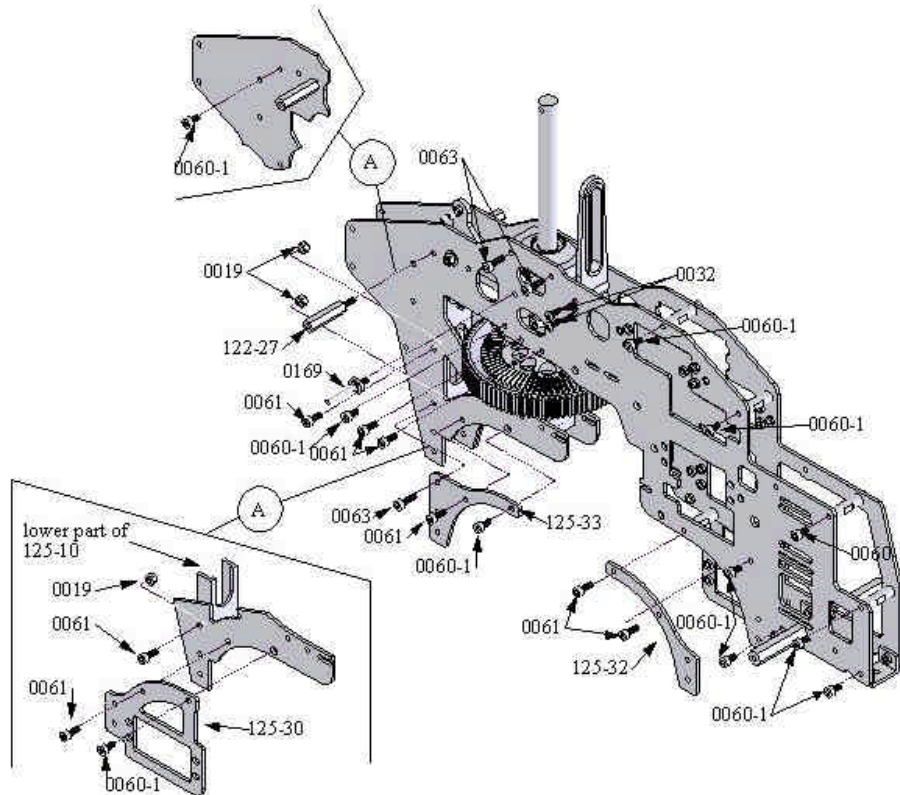
COMPLETED
DRAWING #3
FOWARD FACING MOTOR

(A) Indicates alternate parts location for forward mounted motor unit.

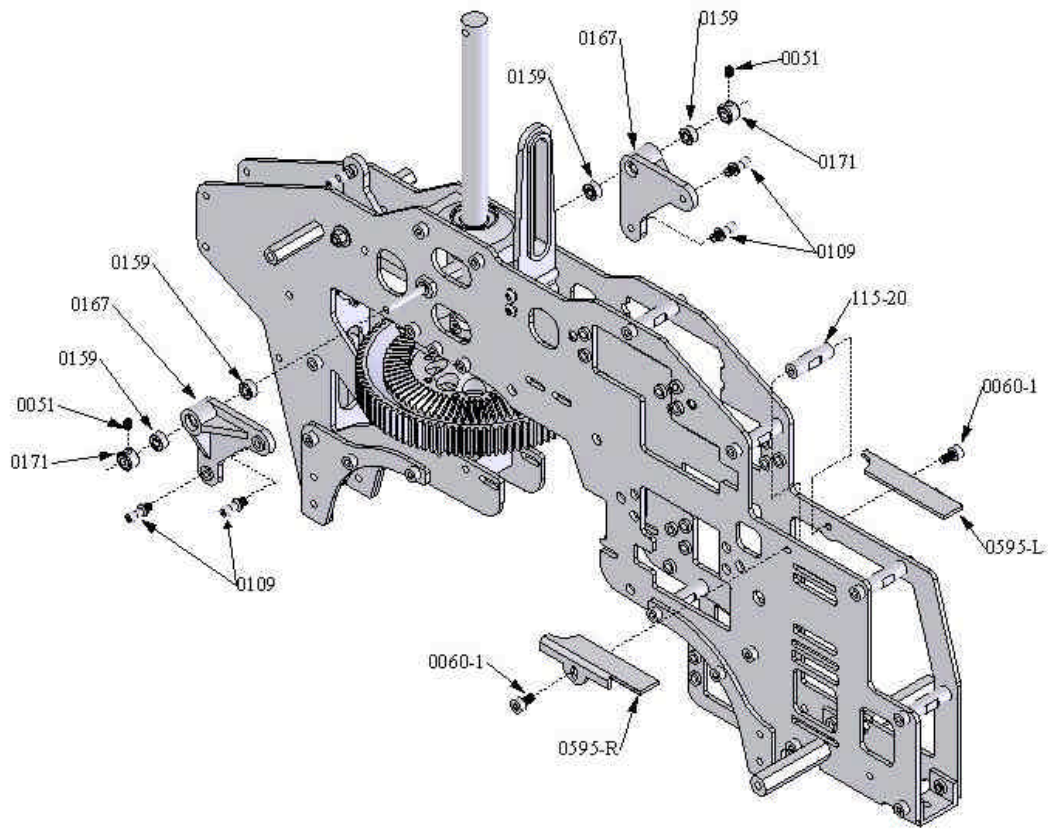


Drawing #4-A

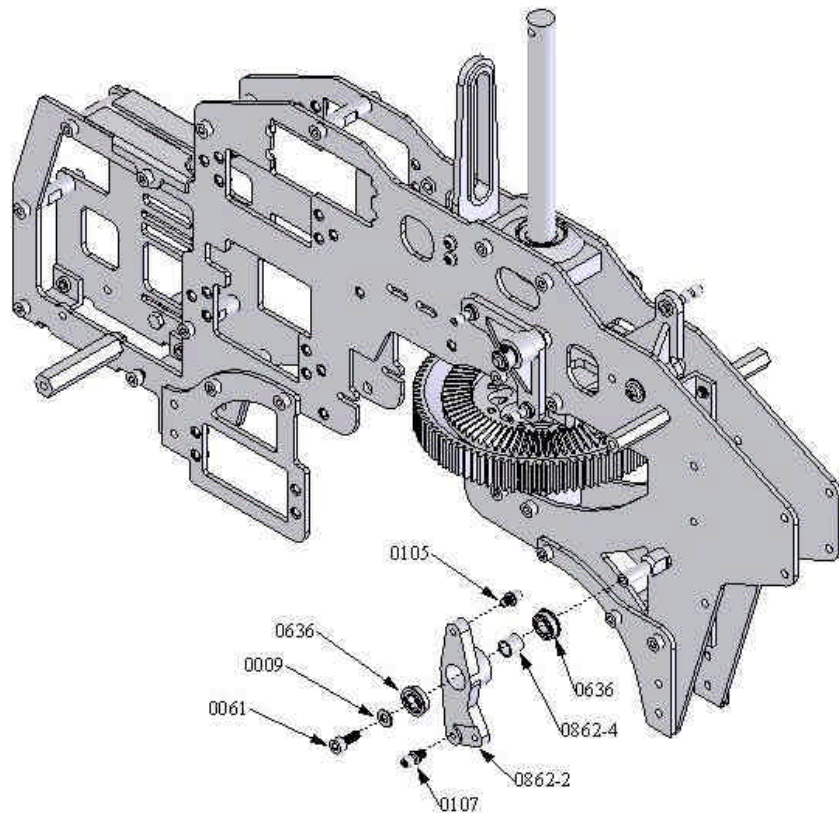
(A) Indicates alternate parts location for forward mounted motor unit.



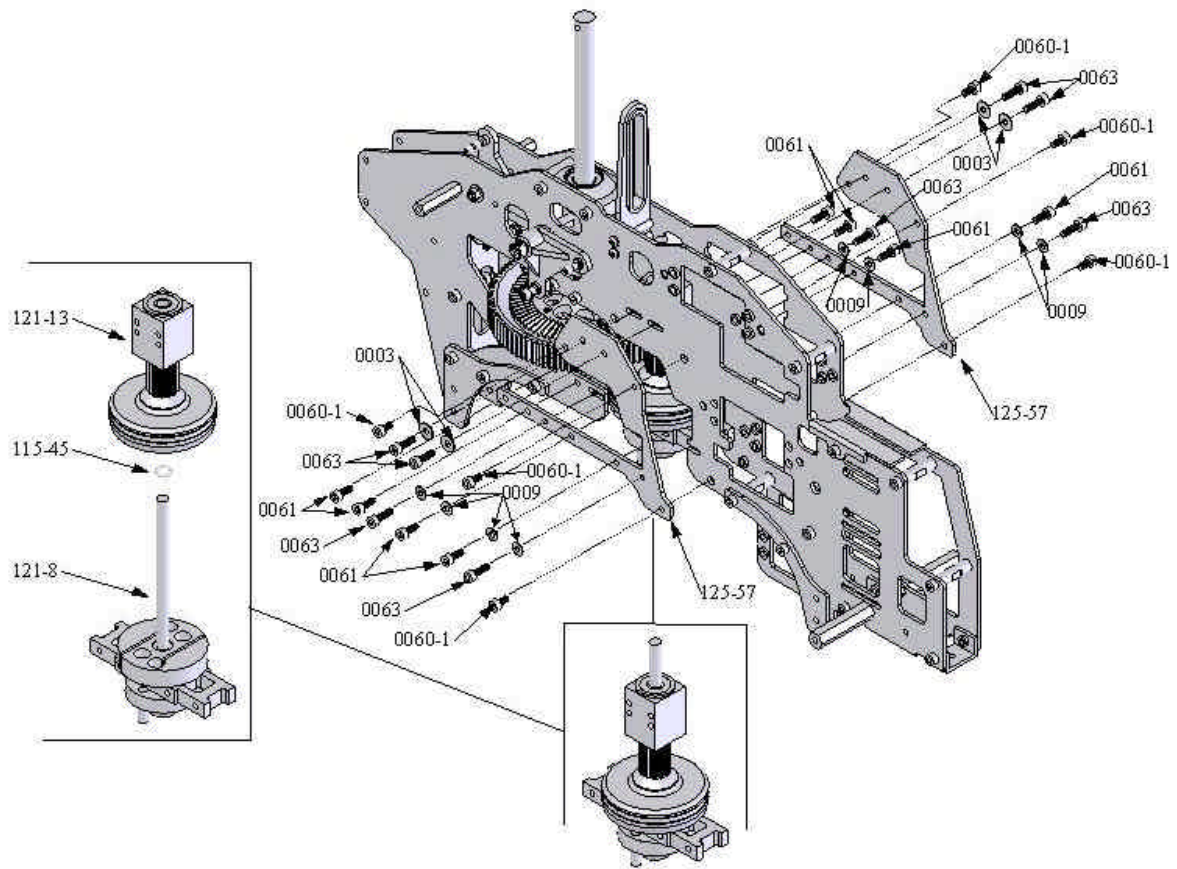
Drawing #4-B



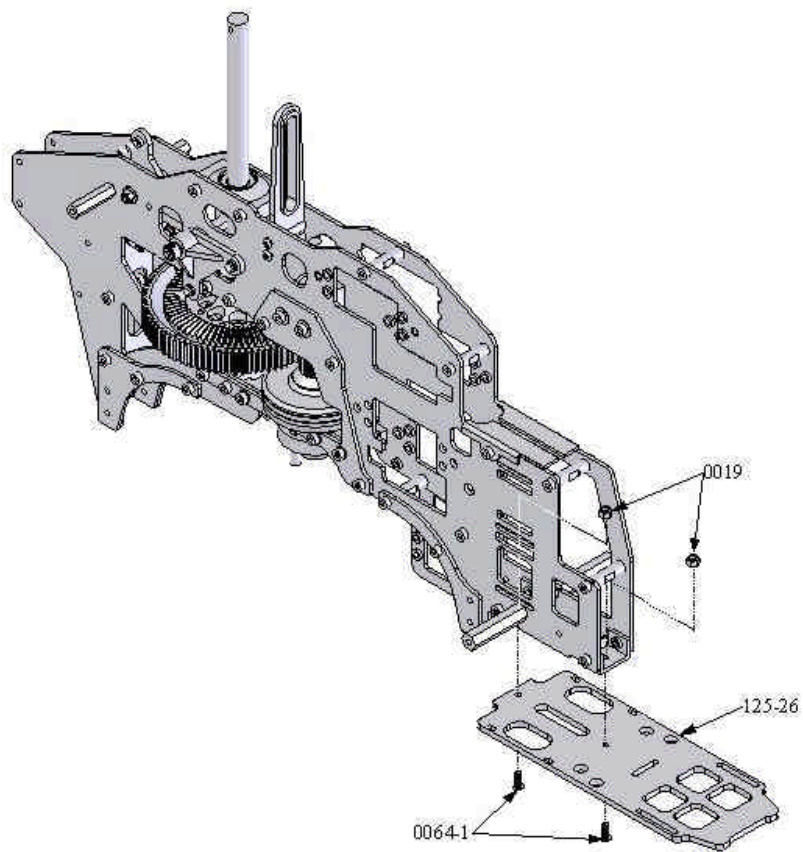
Drawing #4-C



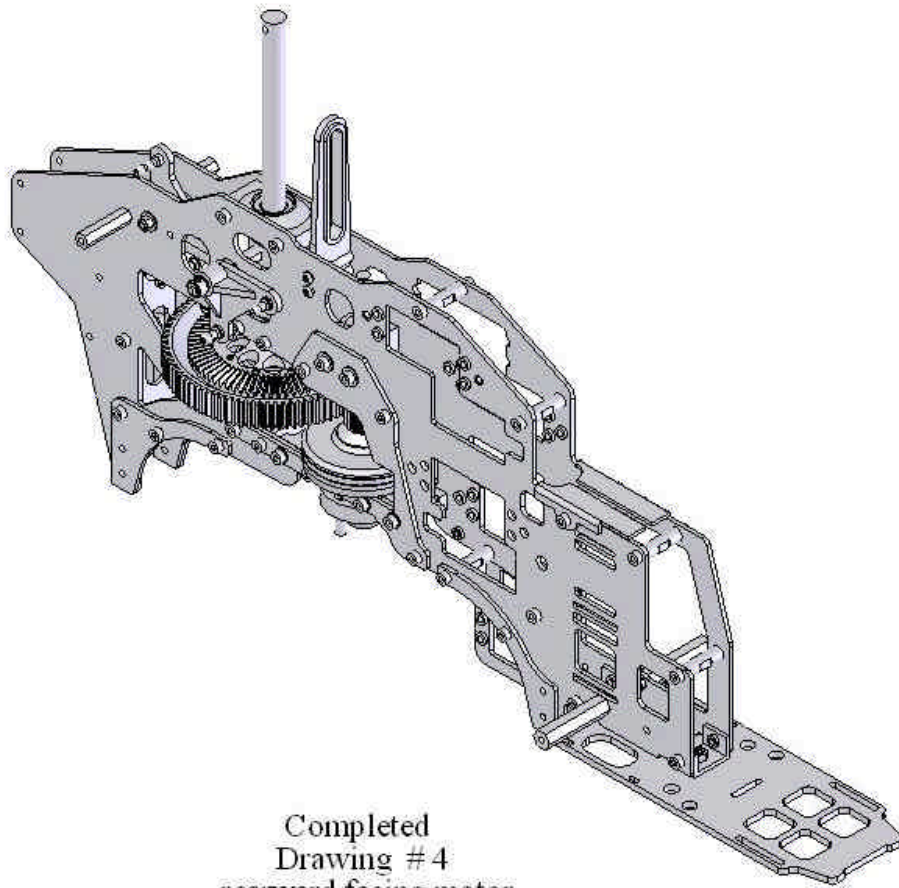
Drawing #4-D



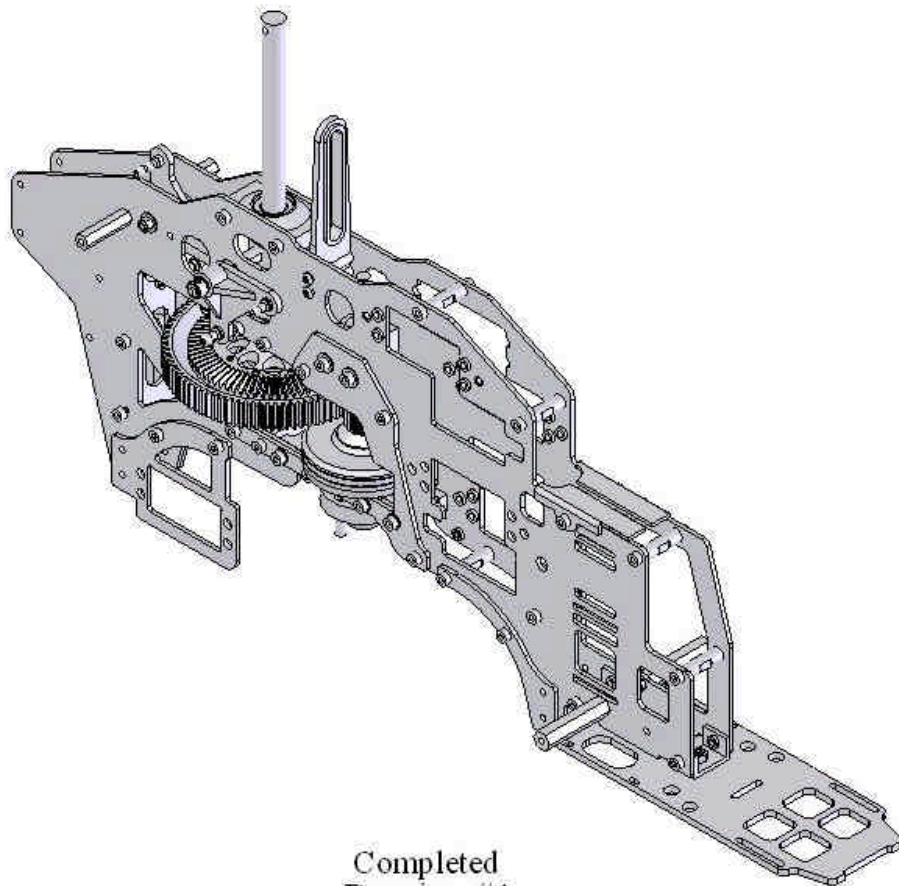
Drawing #4-E



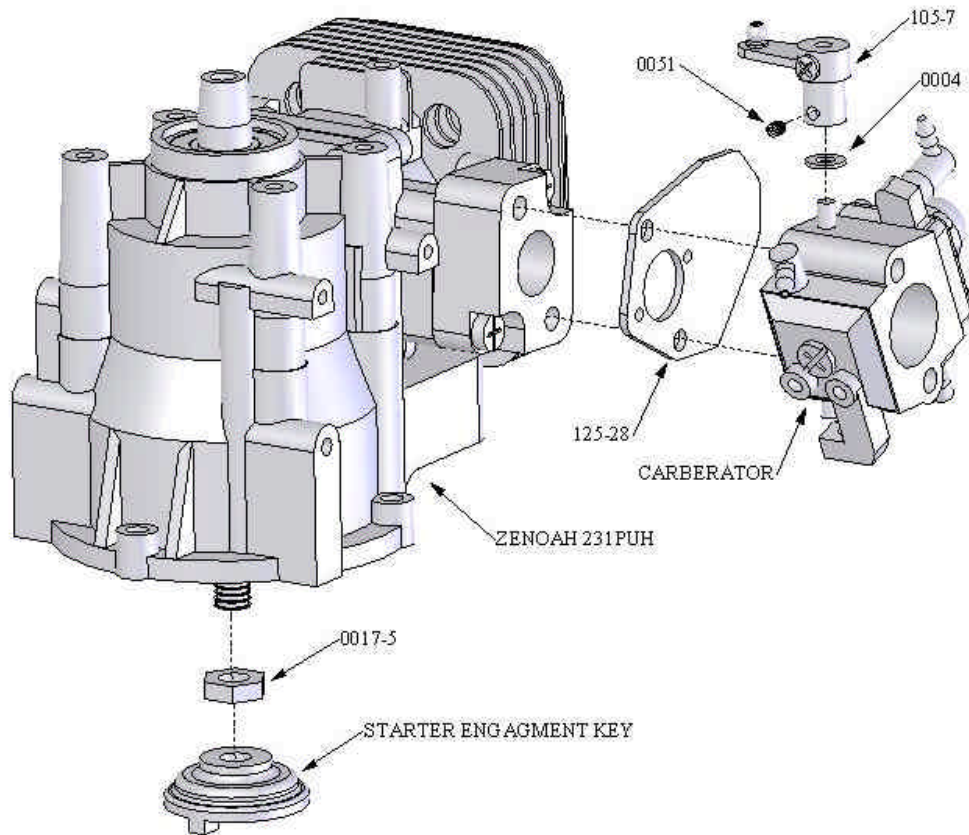
Drawing #4-F



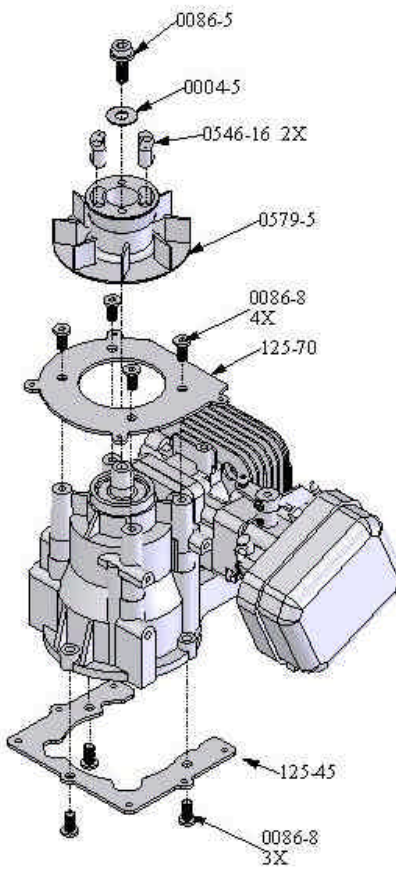
Completed
Drawing # 4
rearward facing motor



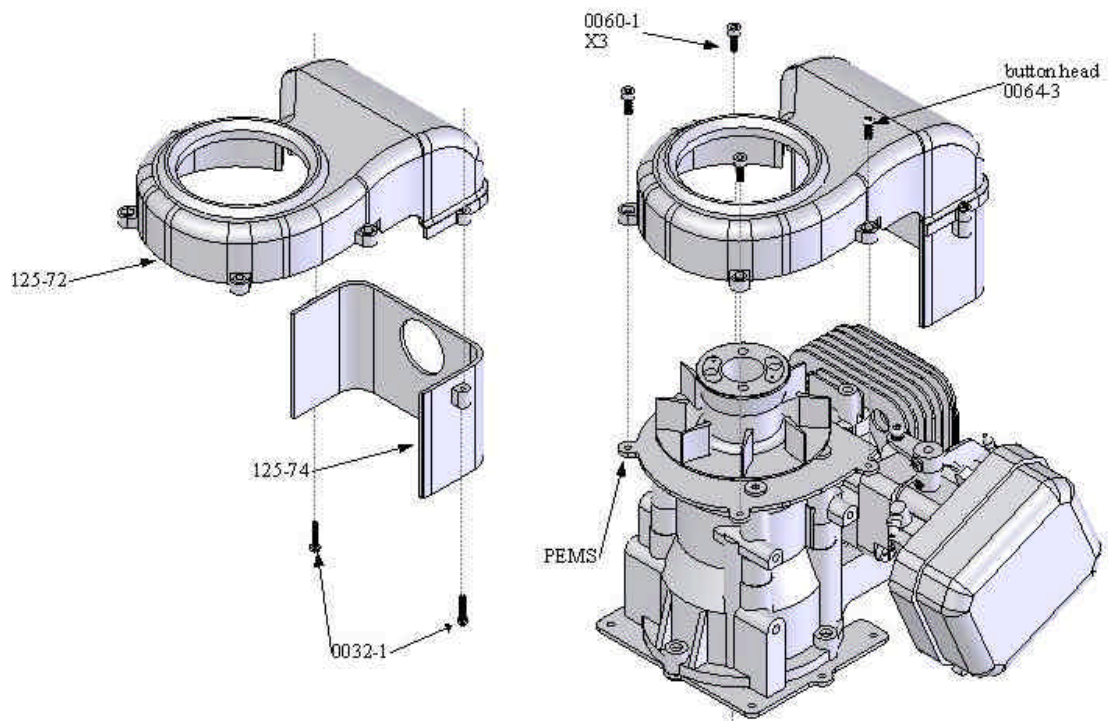
Completed
Drawing #4
foward facing motor



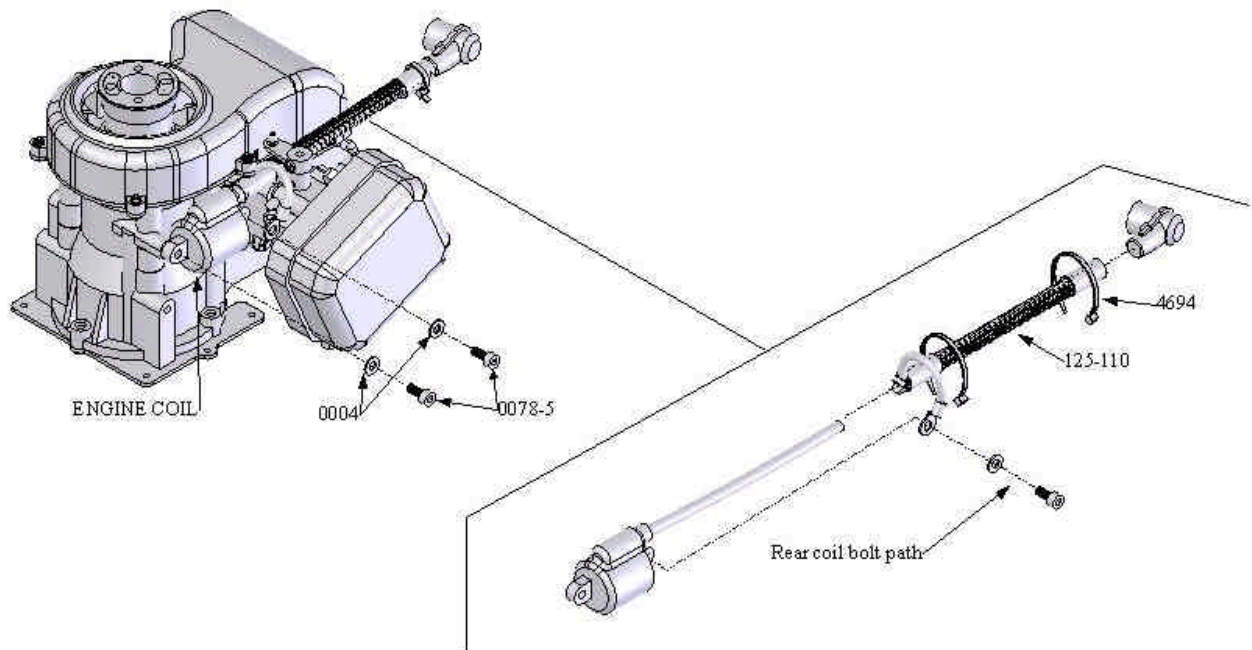
Drawing #5-A



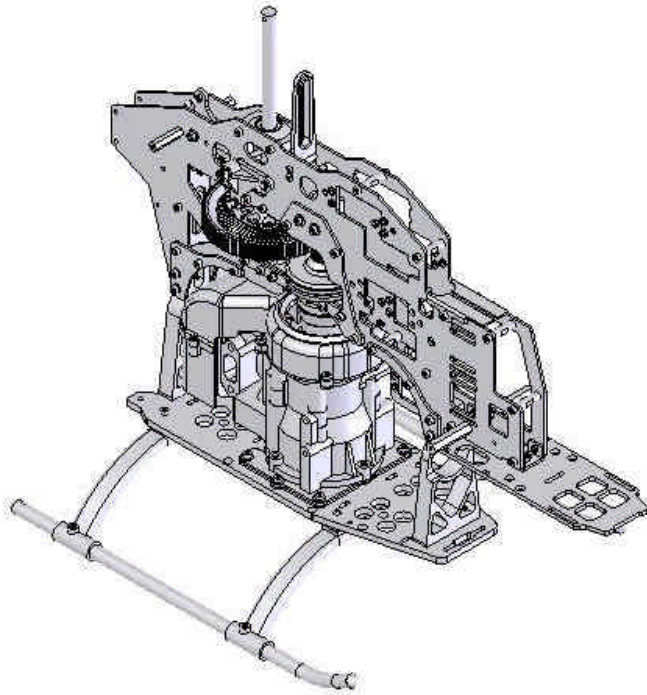
Drawing #5-B



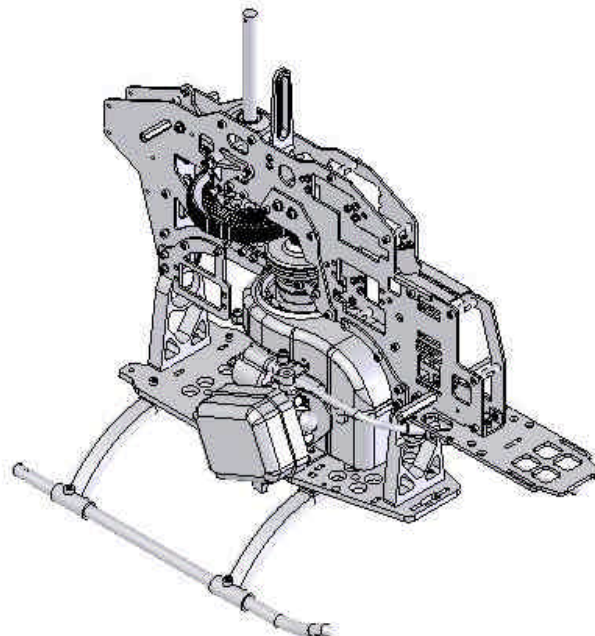
Drawing #5B-1



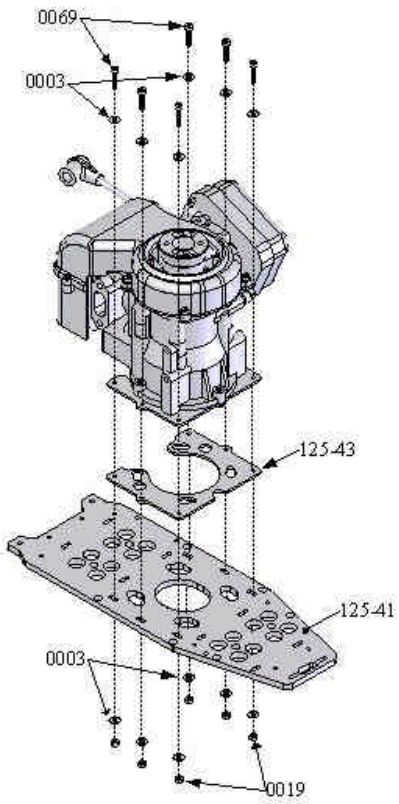
Drawing #5B-2



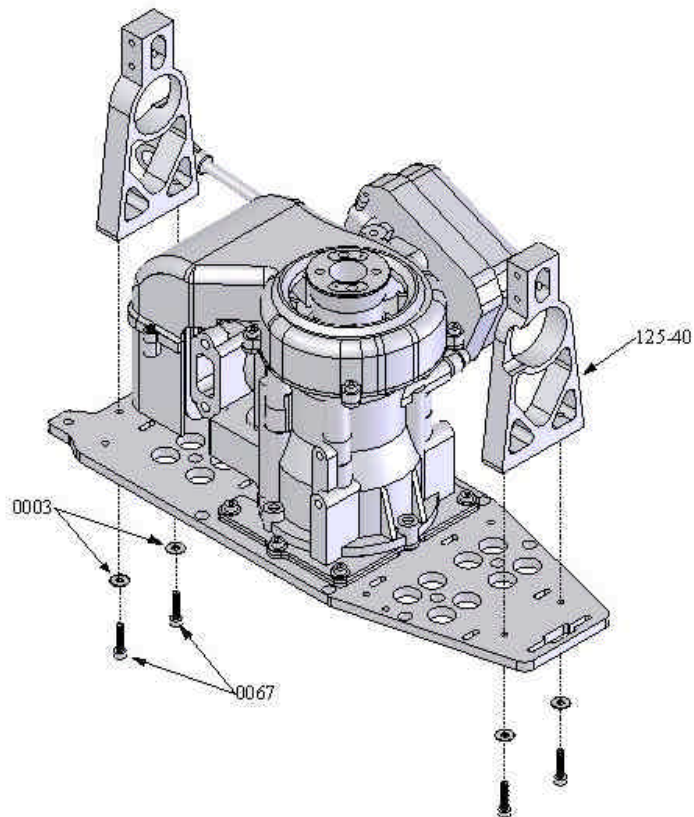
Completed Drawing #5
motor facing rearward



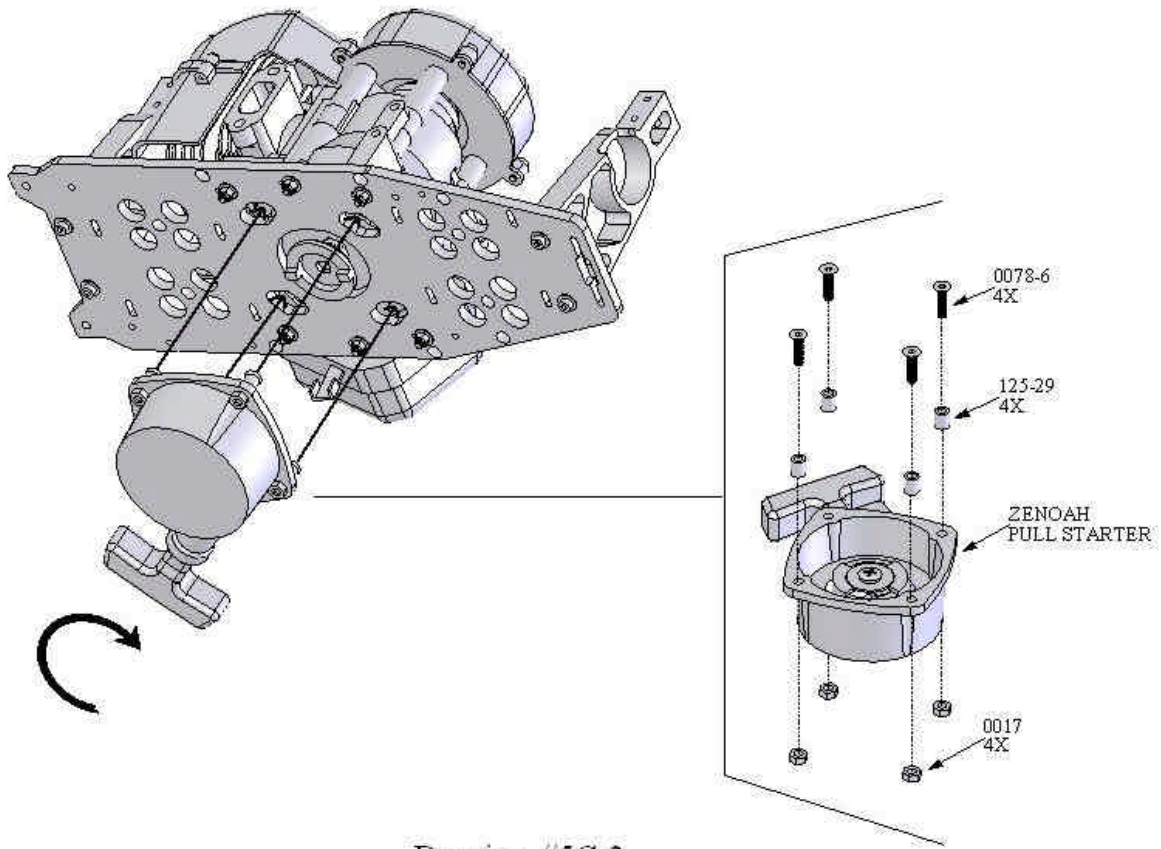
Completed Drawing #5
foward facing motor



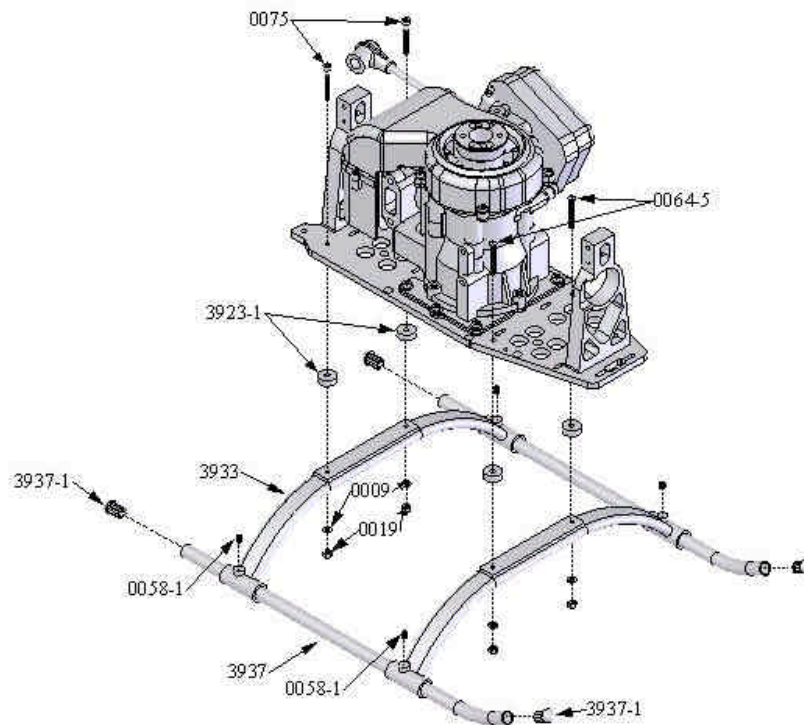
Drawing #5-C



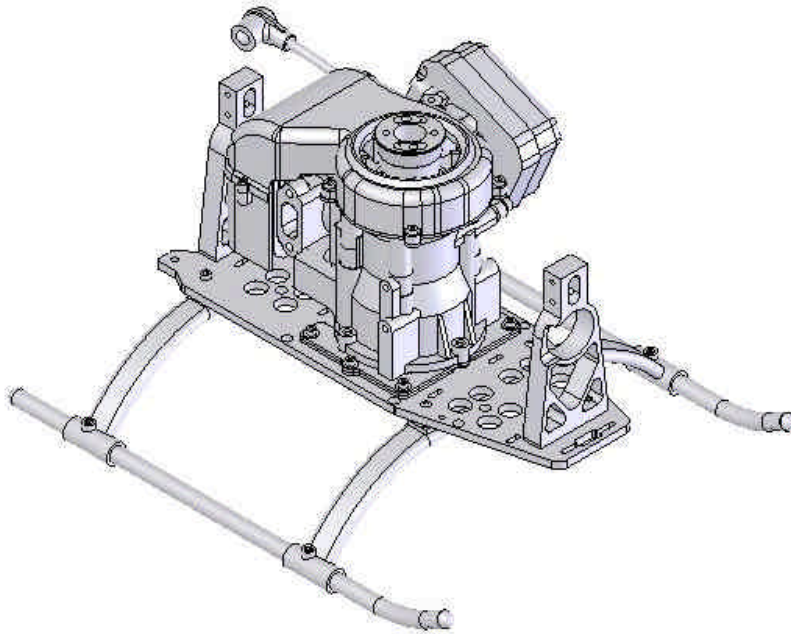
Drawing #5C-1



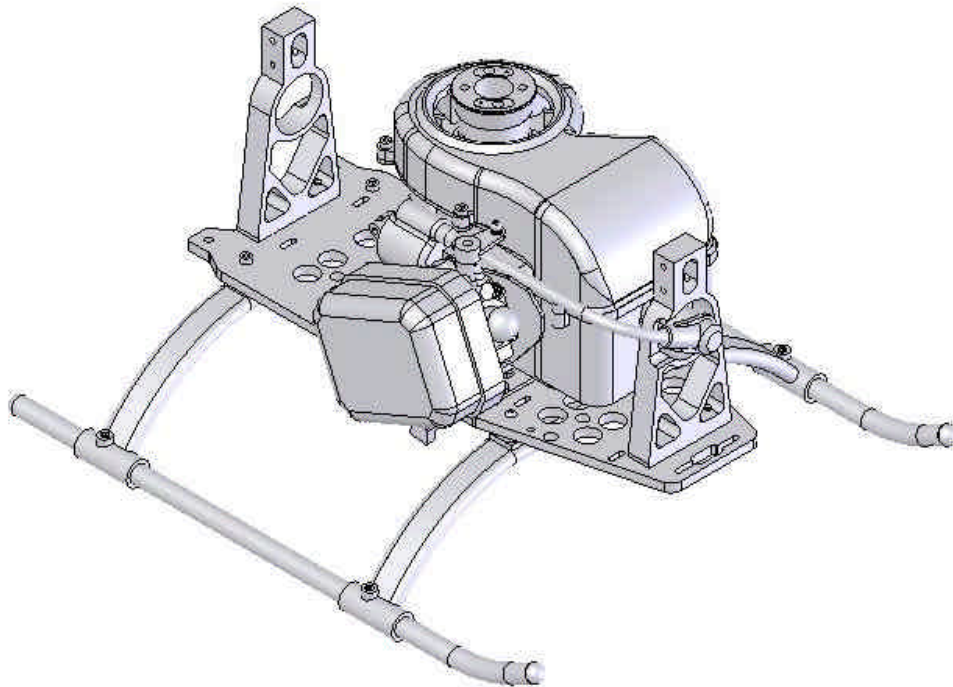
Drawing #5C-2



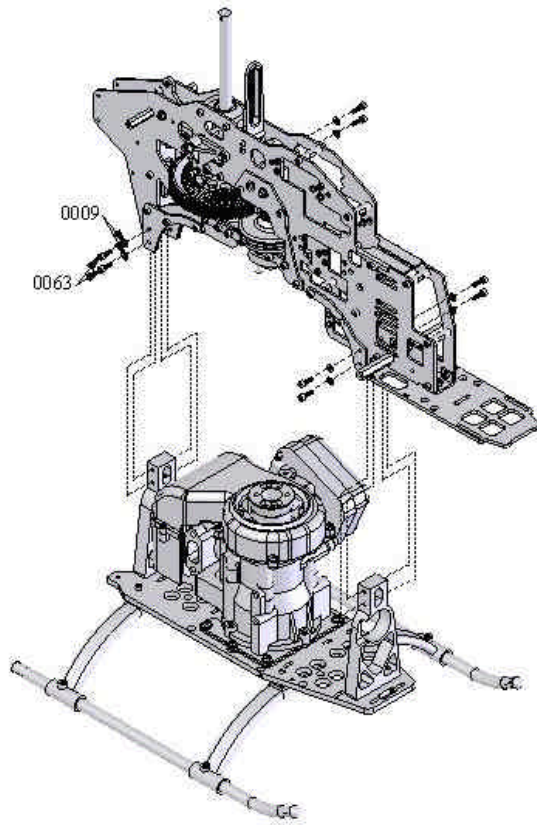
Drawing #5C-3



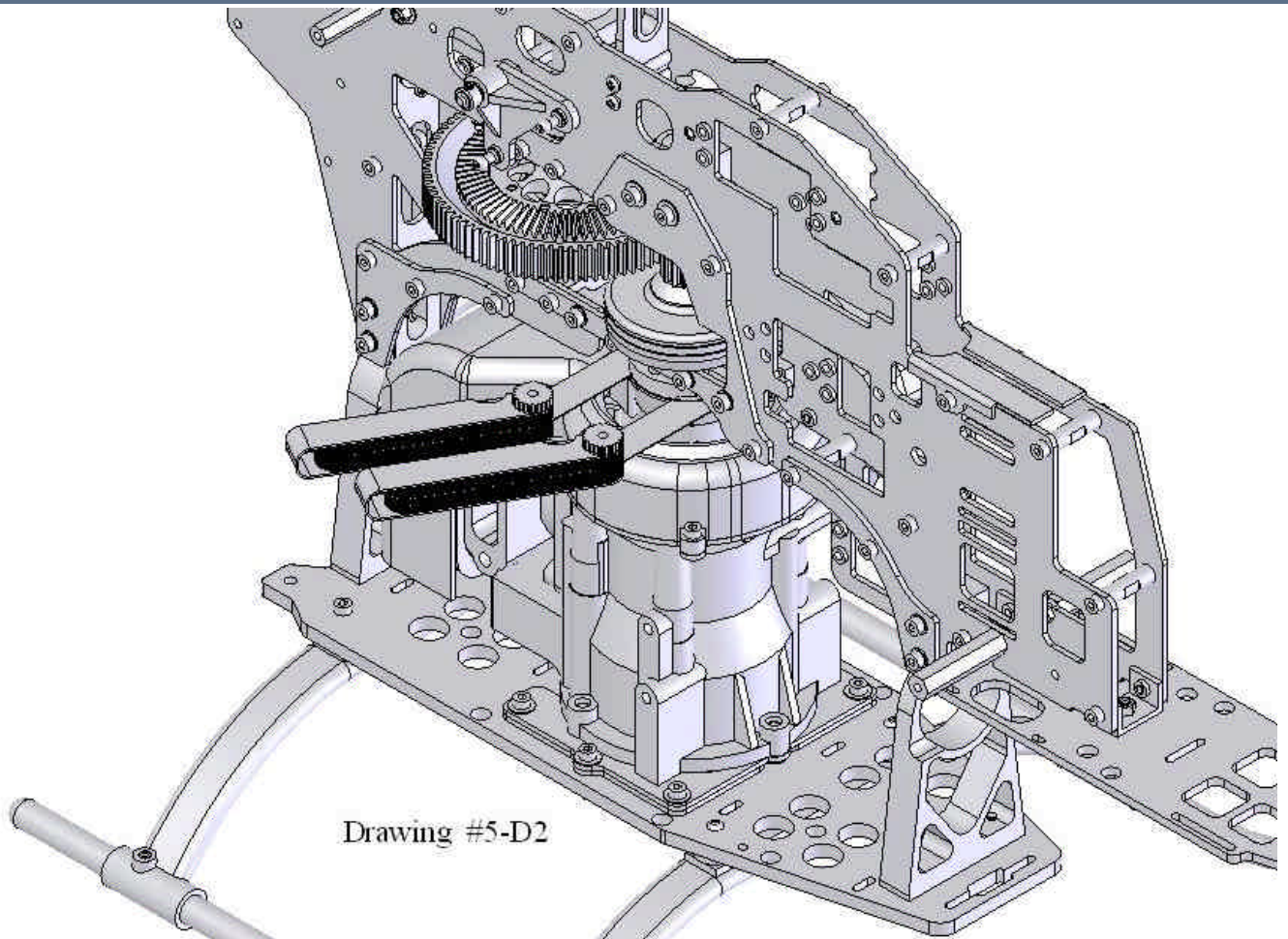
Assembled lower plate
Drawing #5-D



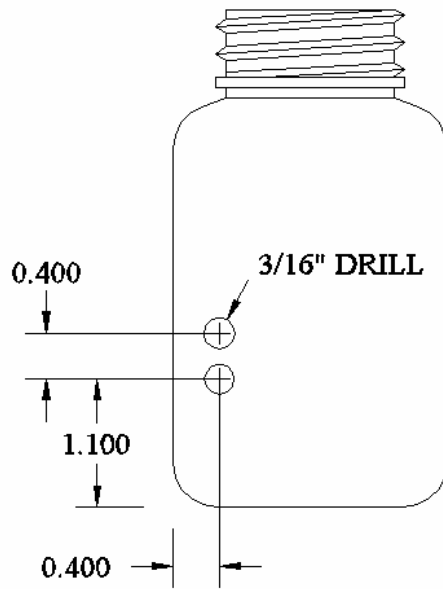
Assembled lower plate for
forward facing motor
Drawing #5-D



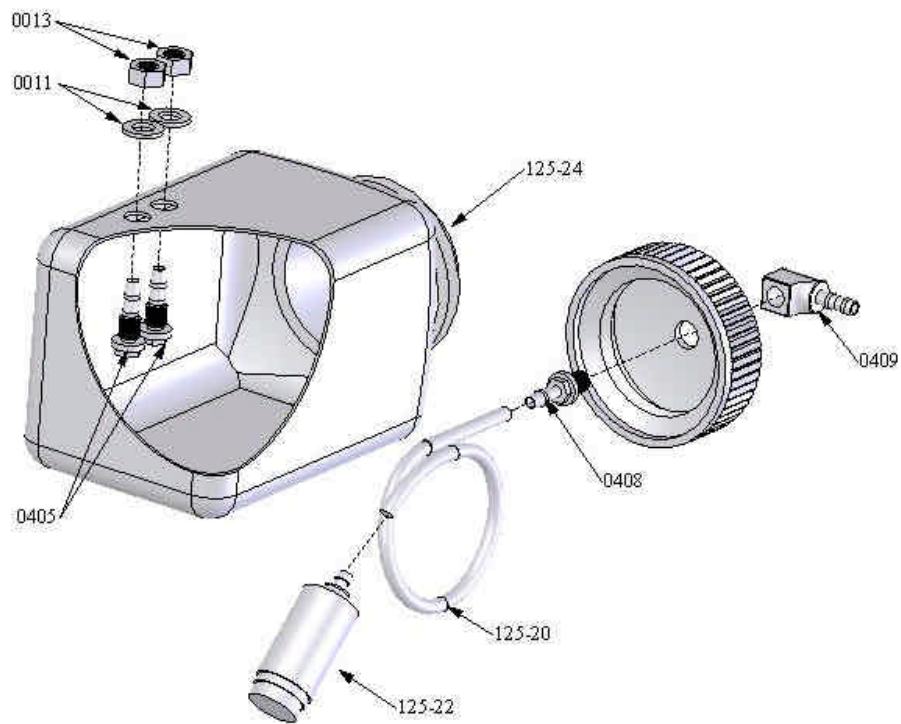
Drawing #5D-1



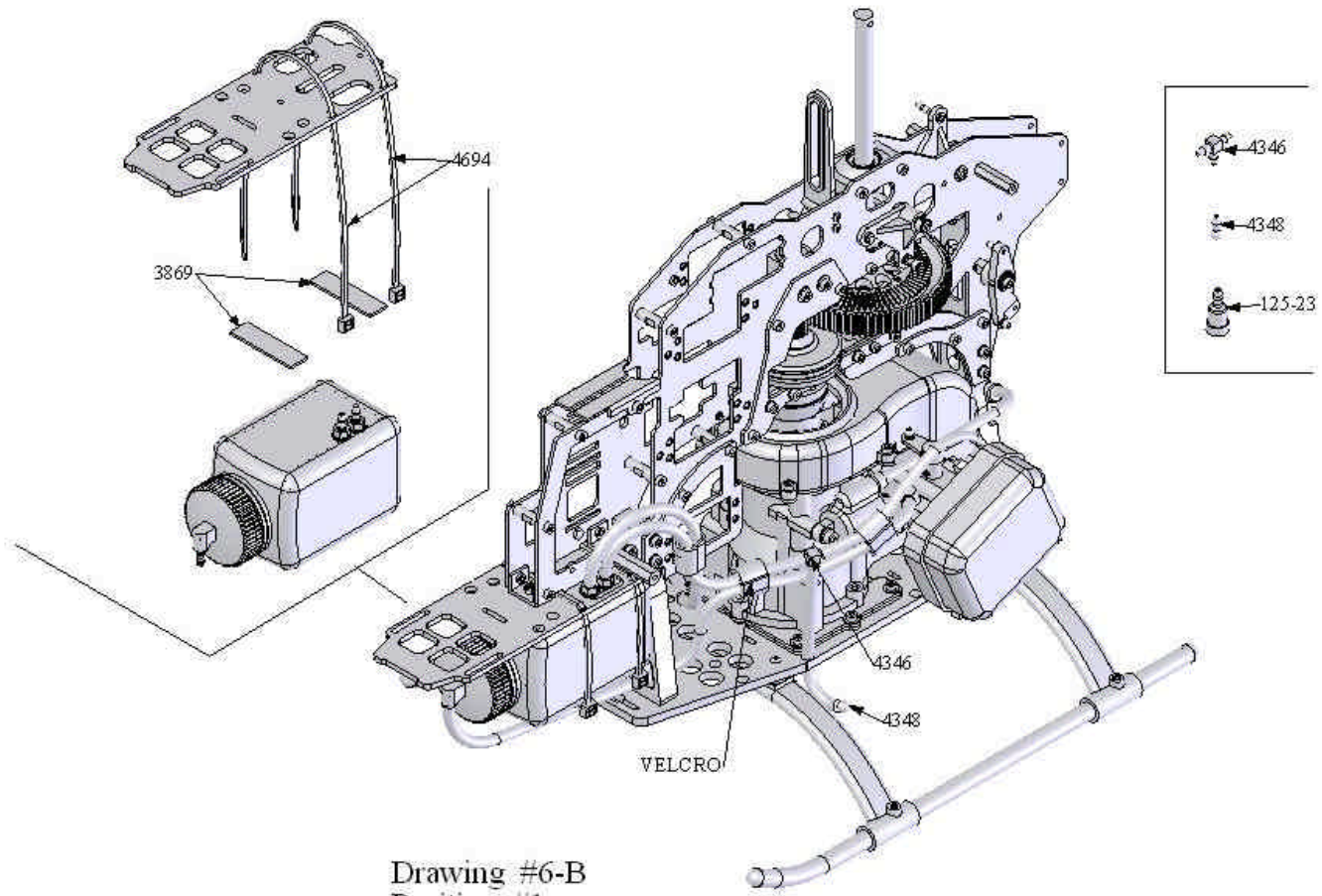
Drawing #5-D2



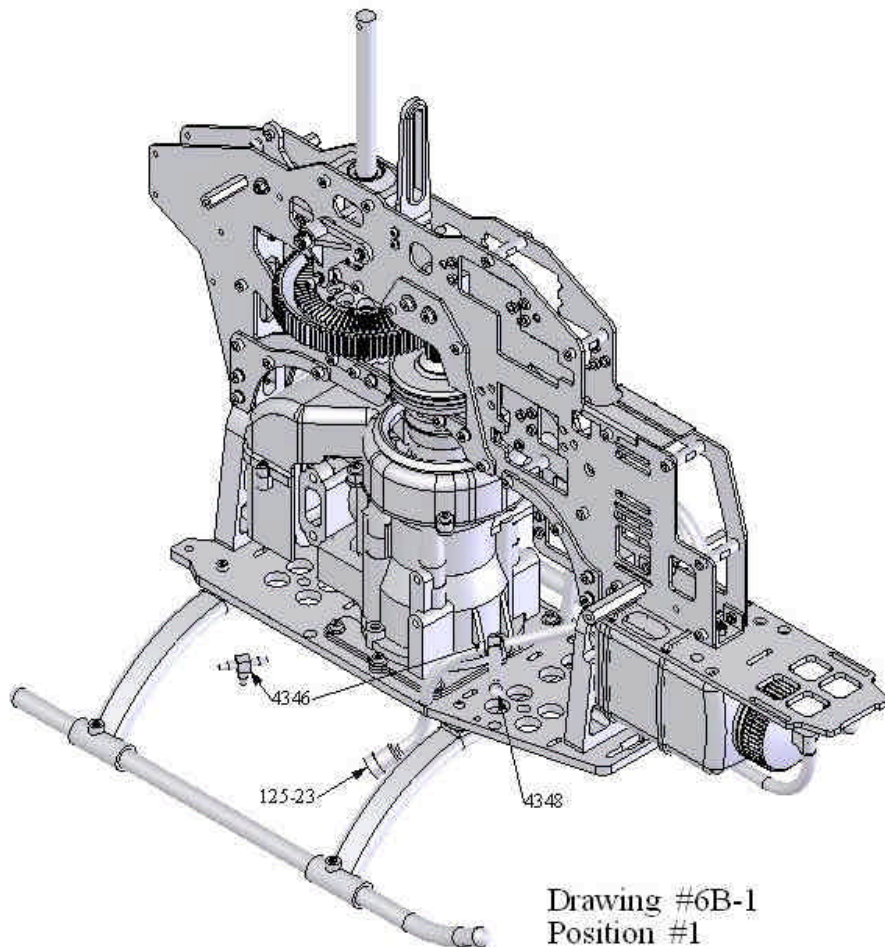
Drawing #6A



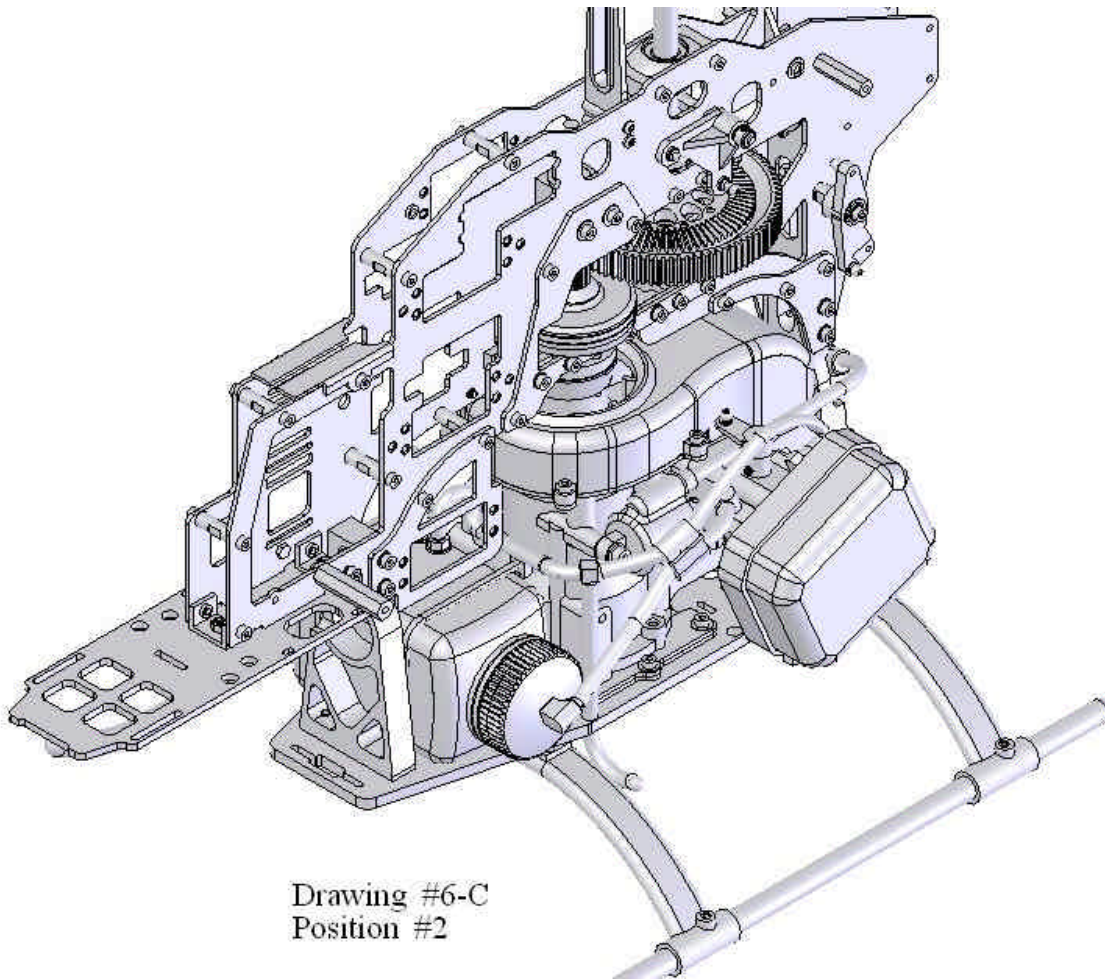
Drawing #6-A-1



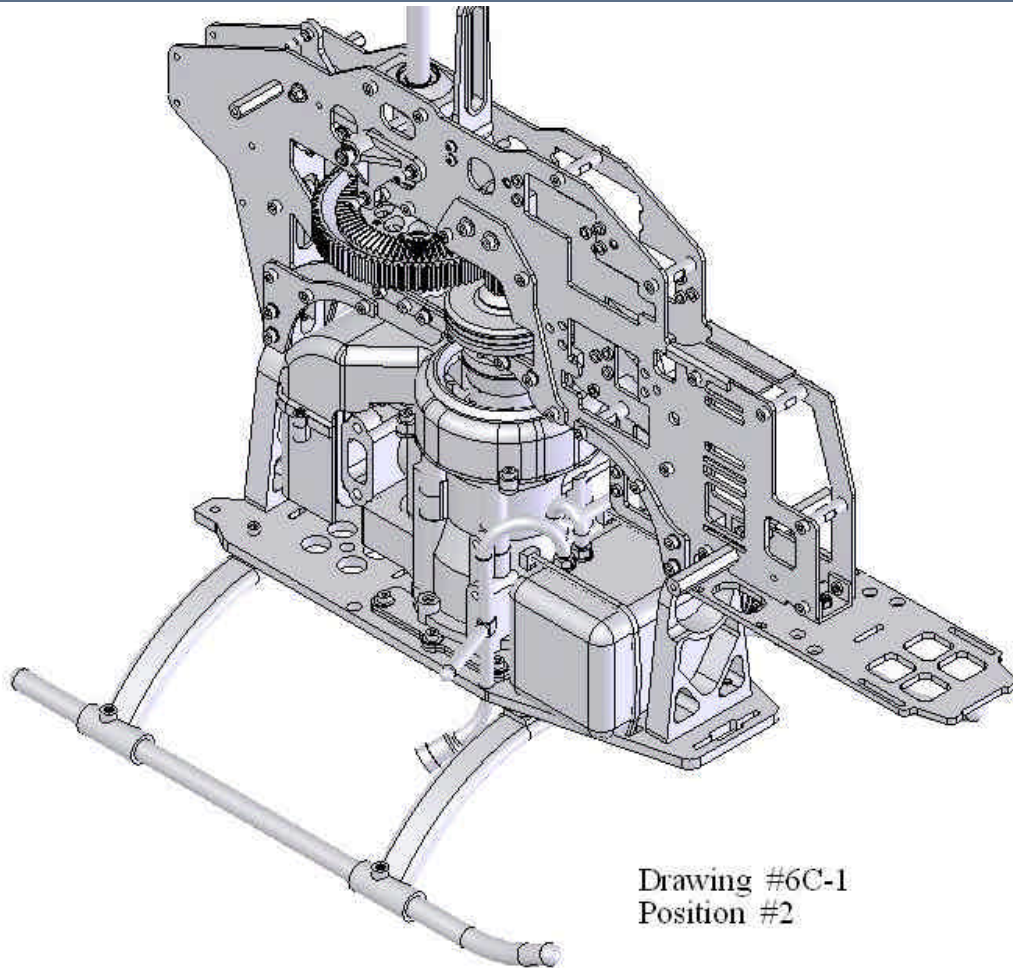
Drawing #6-B
Position #1



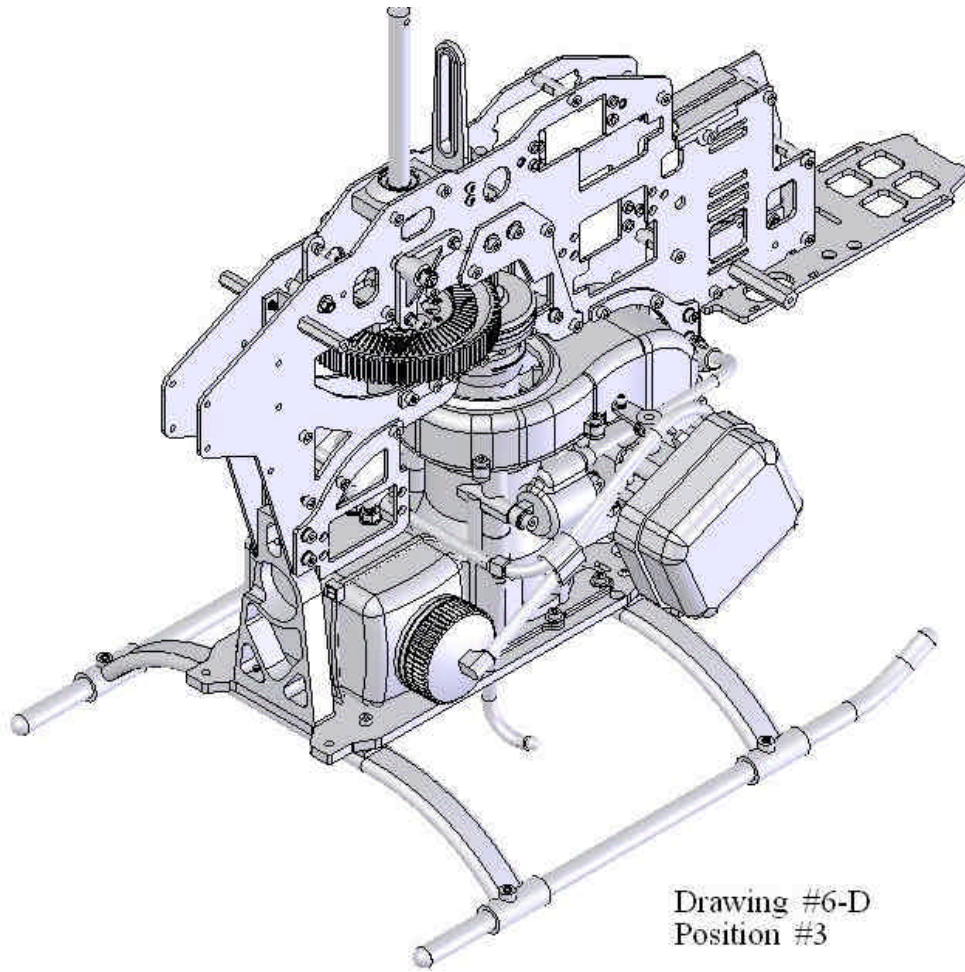
Drawing #6B-1
Position #1



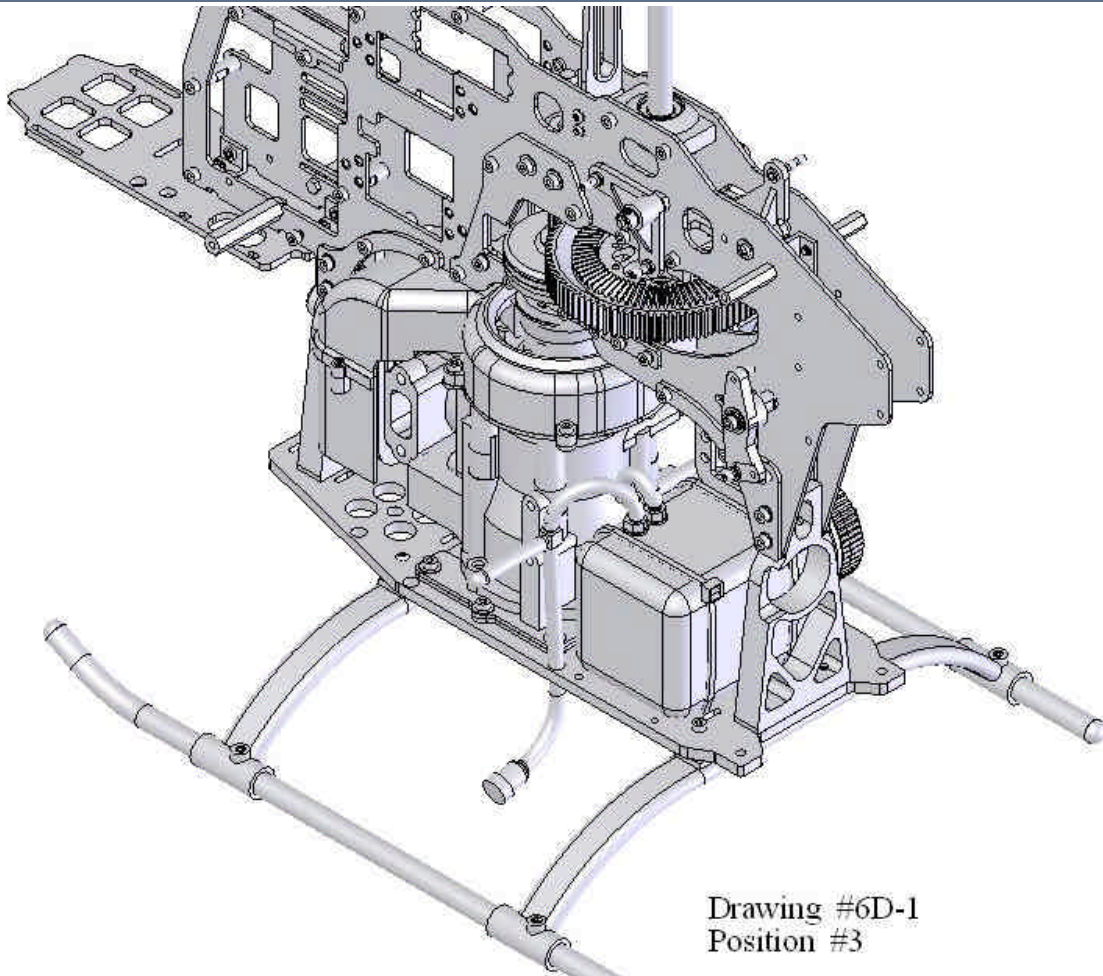
Drawing #6-C
Position #2



Drawing #6C-1
Position #2

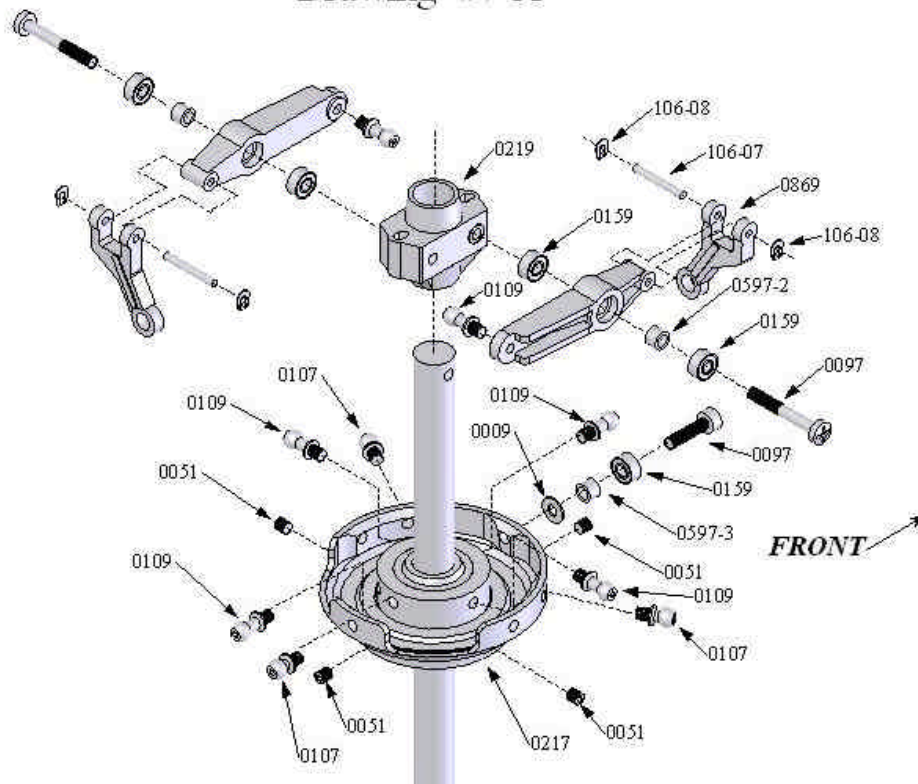


Drawing #6-D
Position #3

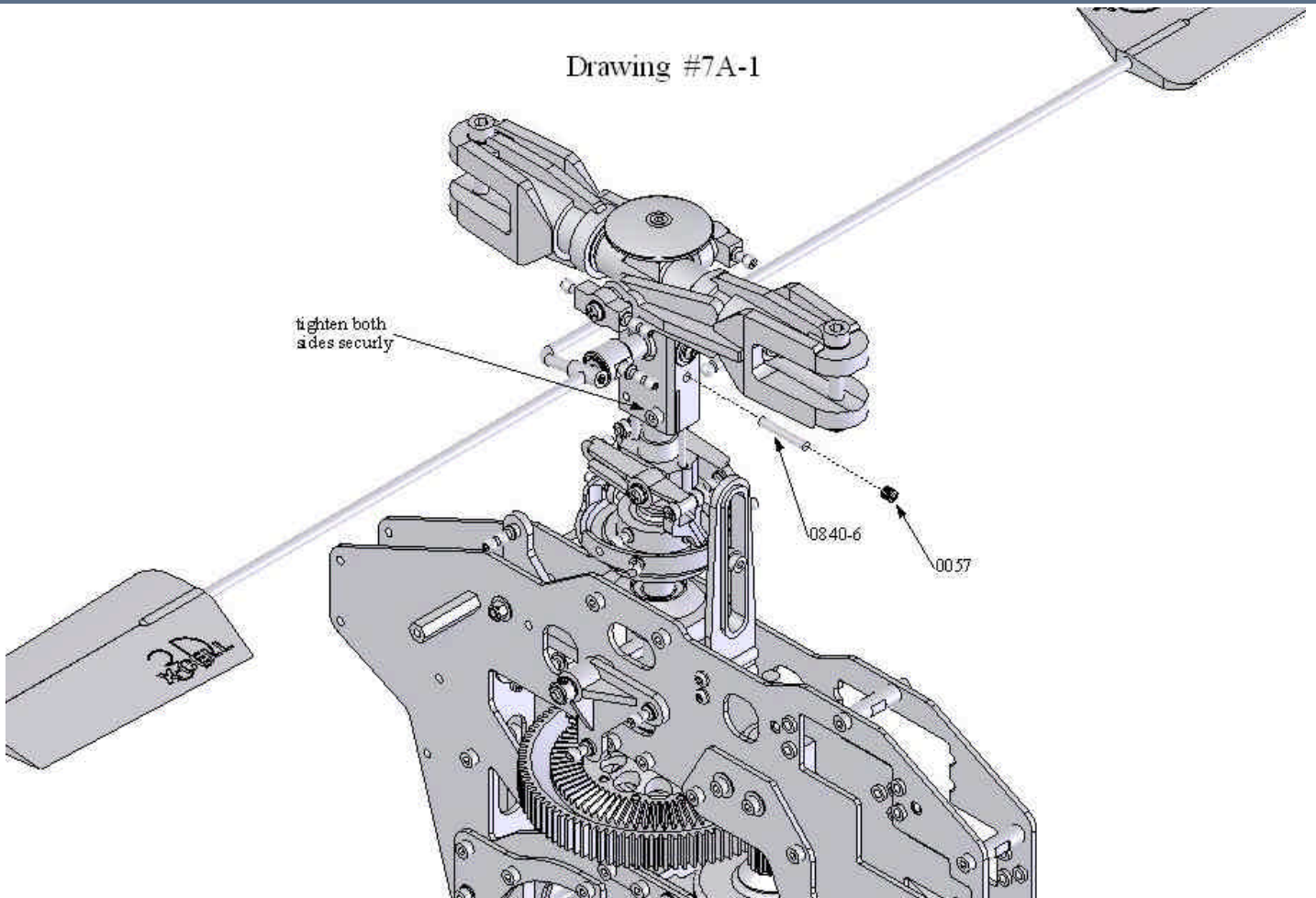


Drawing #6D-1
Position #3

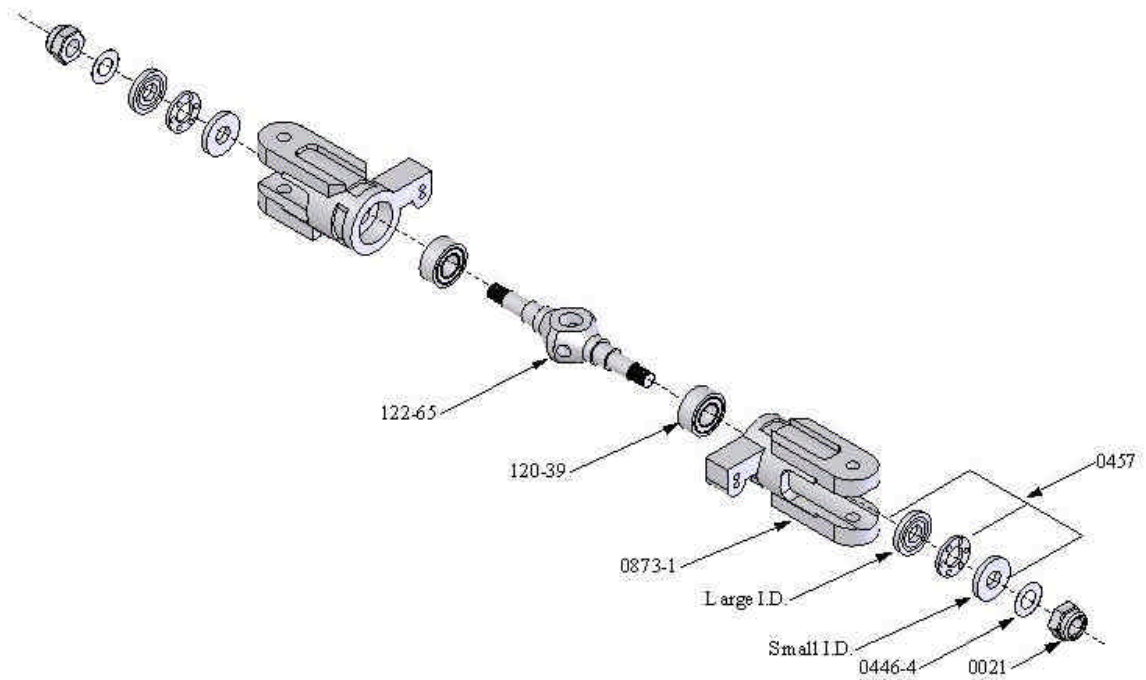
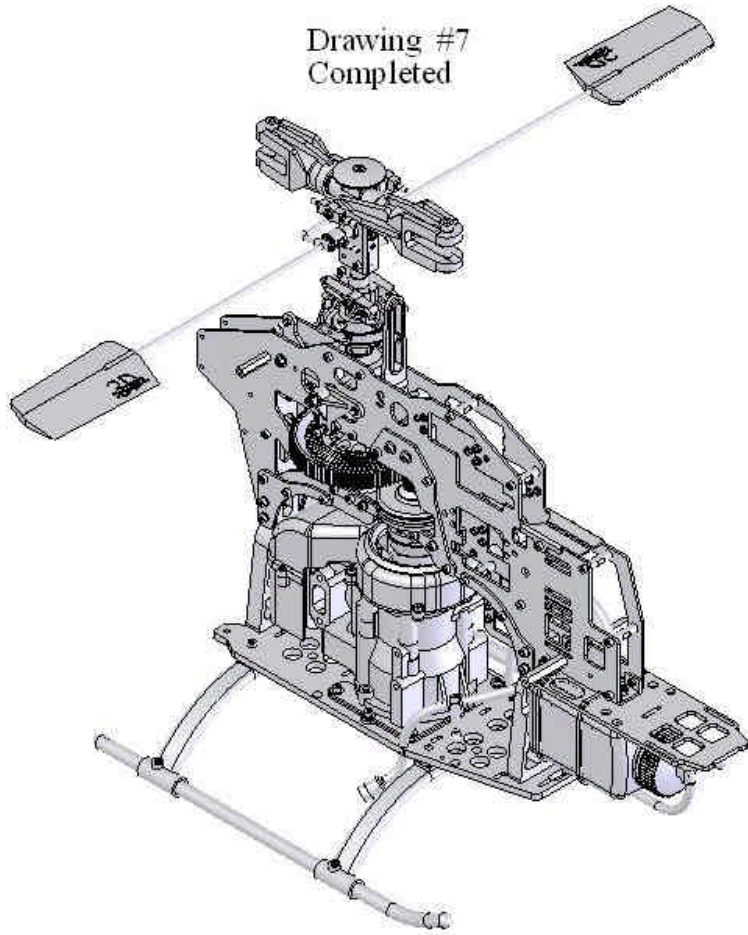
Drawing #7-A



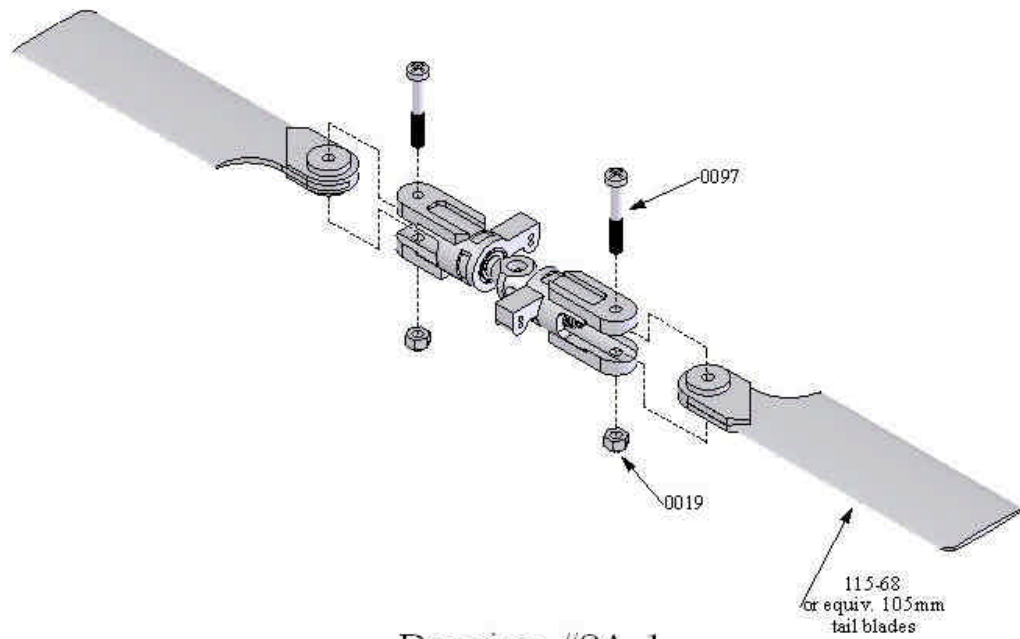
Drawing #7A-1



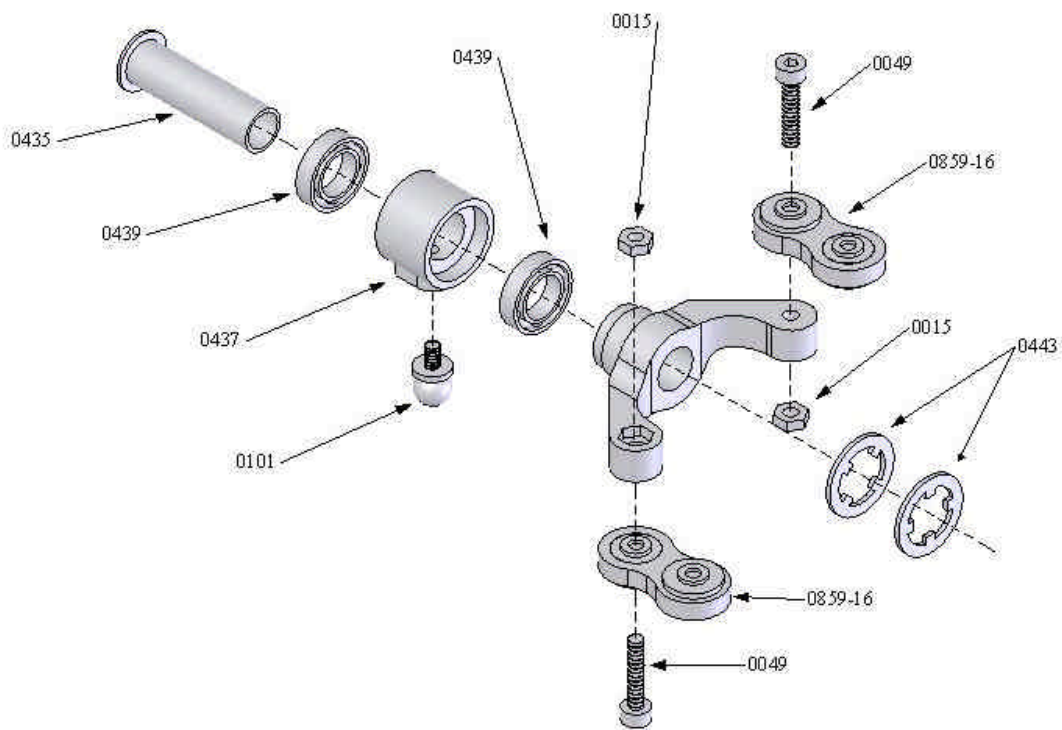
Drawing #7
Completed



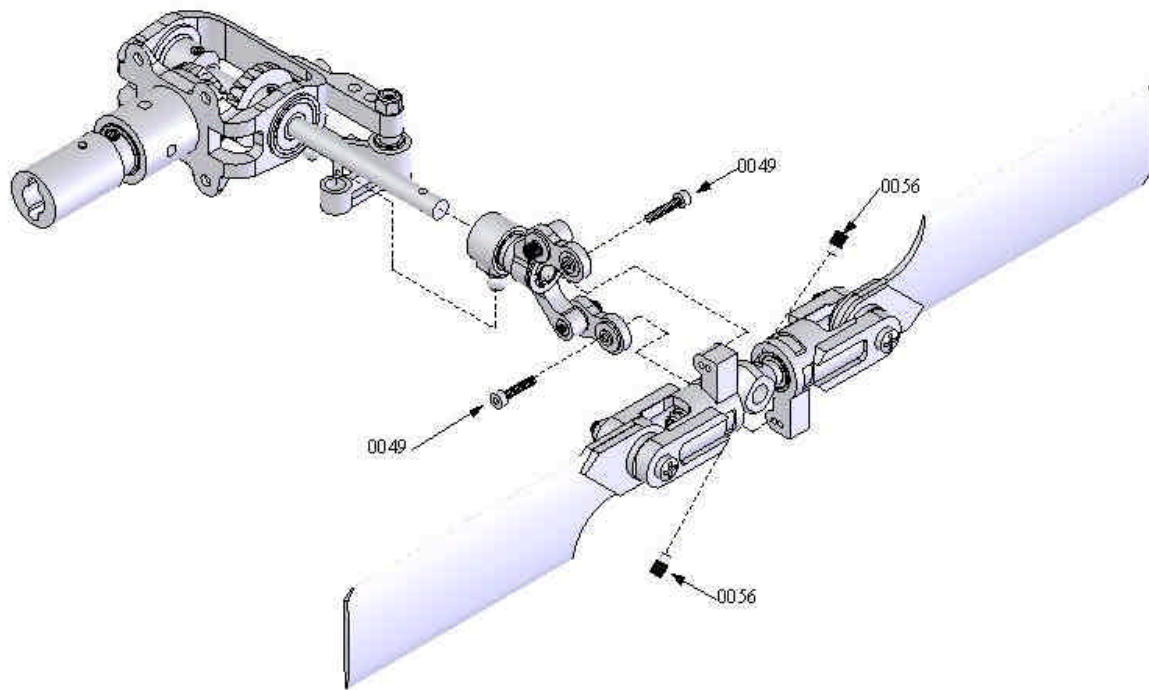
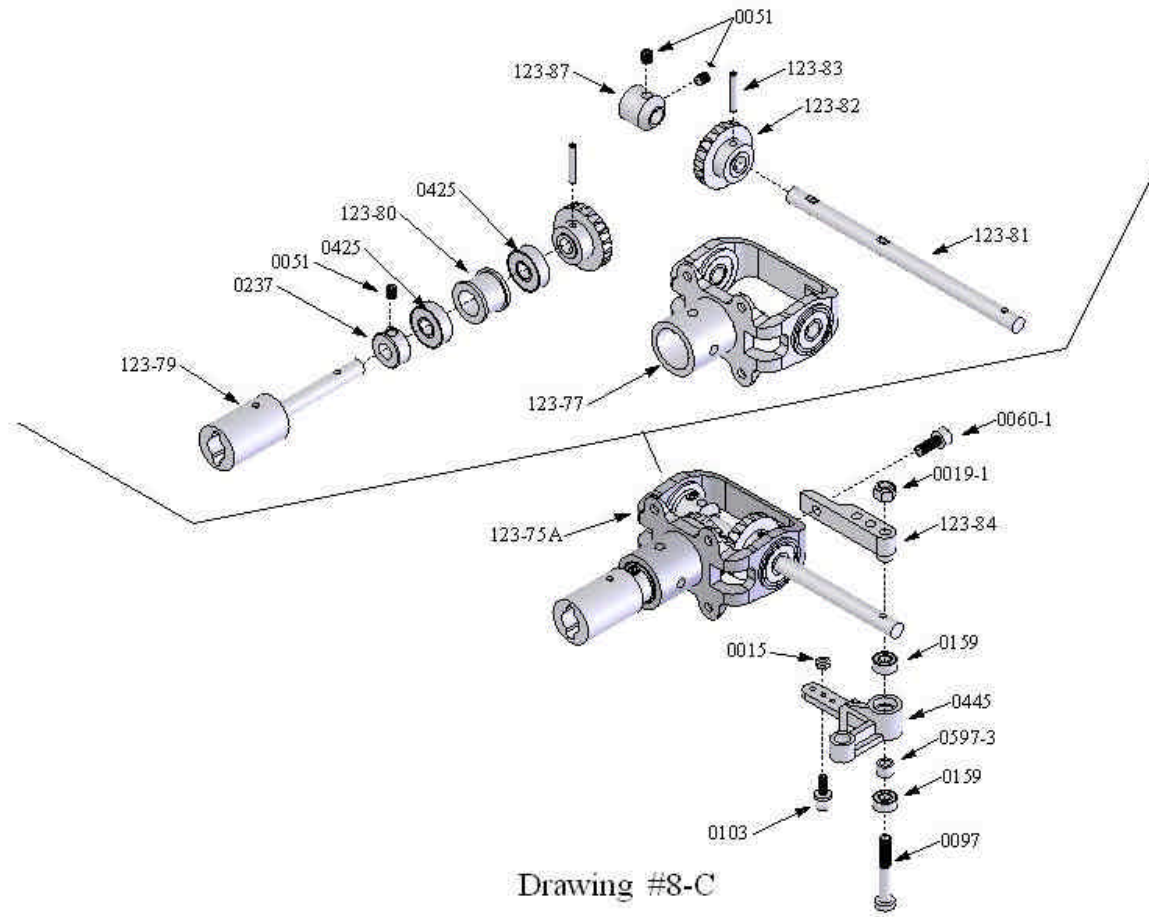
Drawing #8A

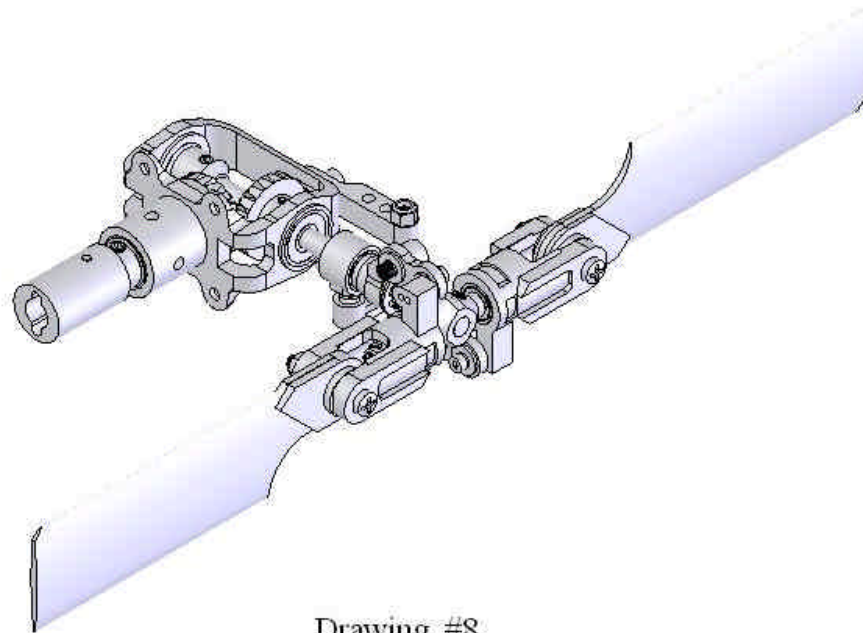


Drawing #8A-1

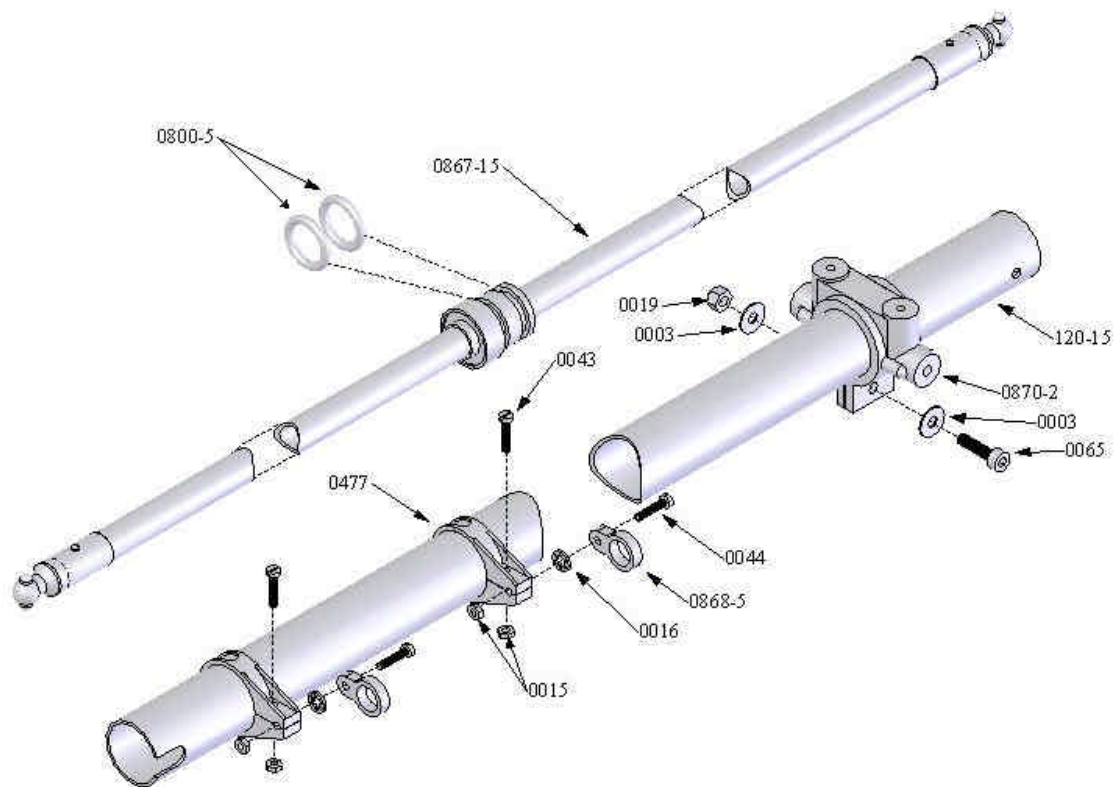


Drawing #8-B

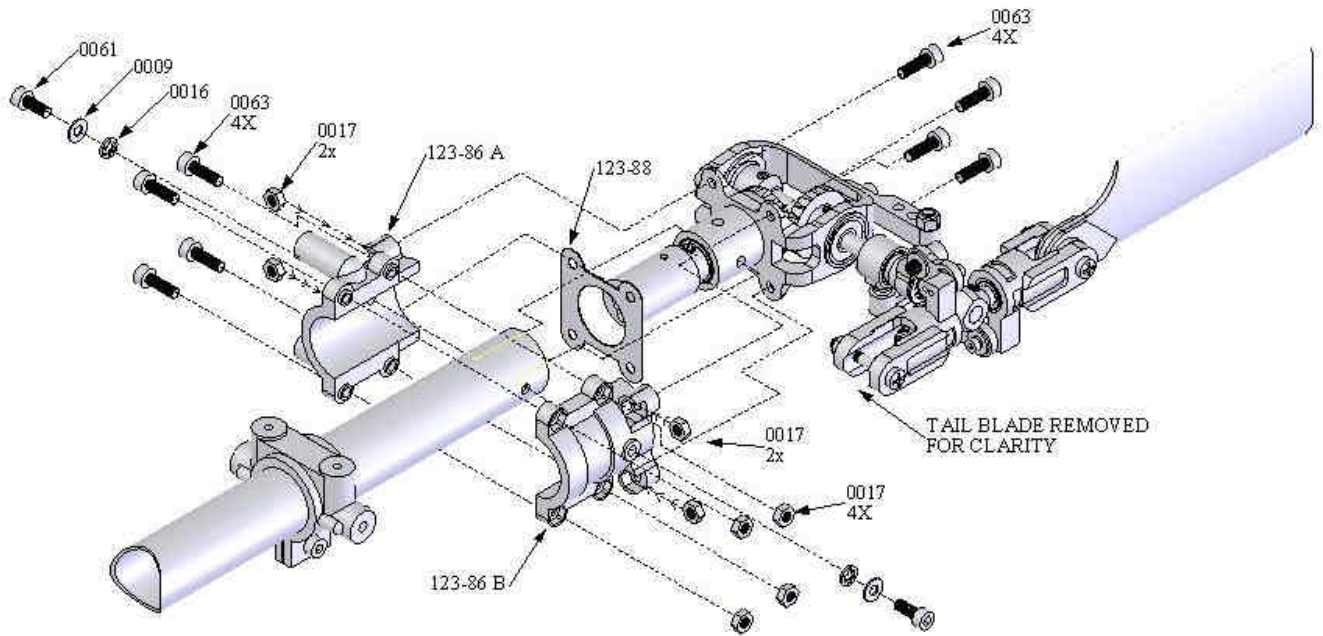




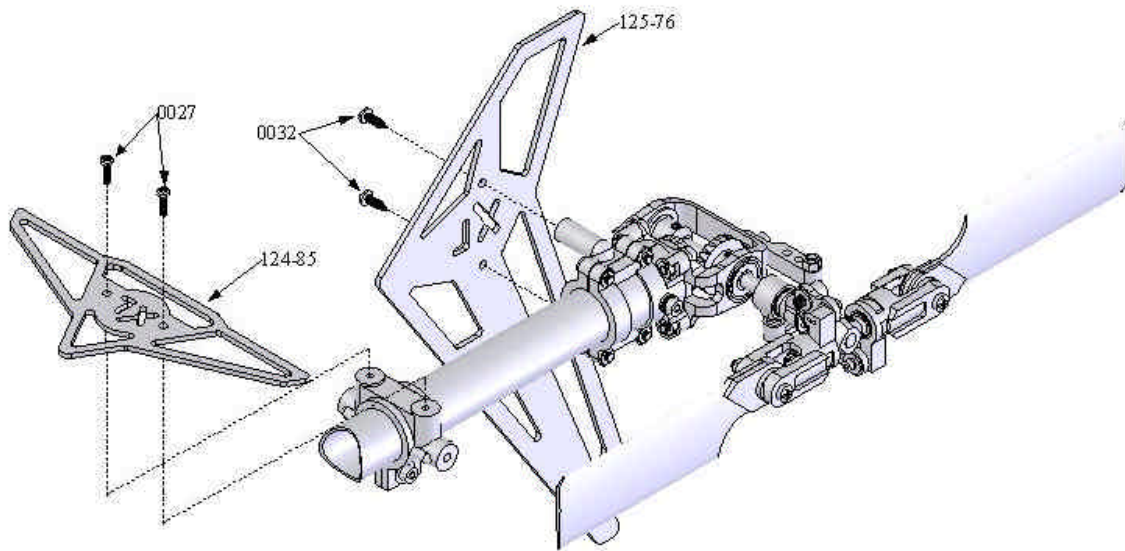
Drawing #8
Completed



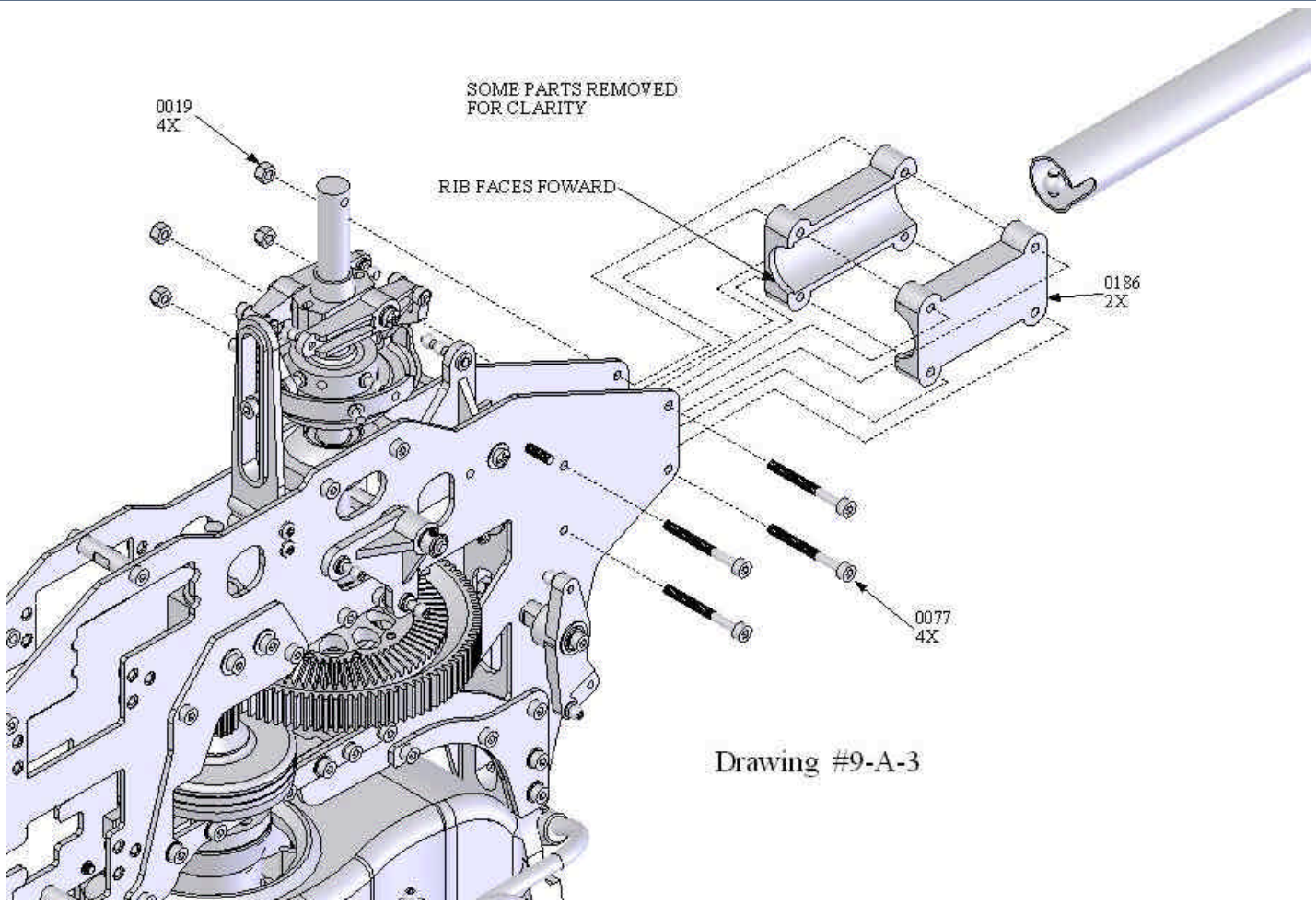
Drawing #9-A



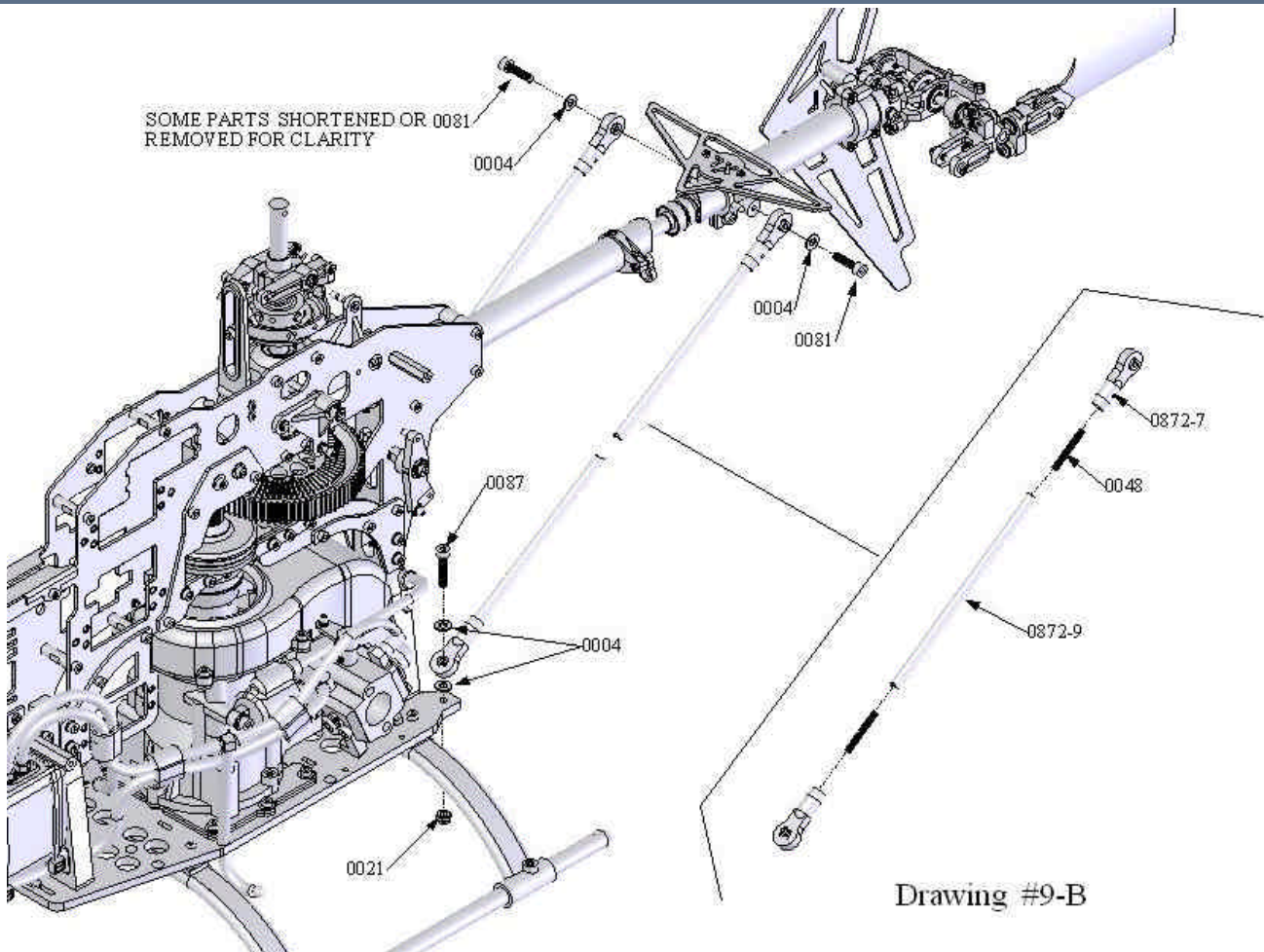
Drawing #9A-1



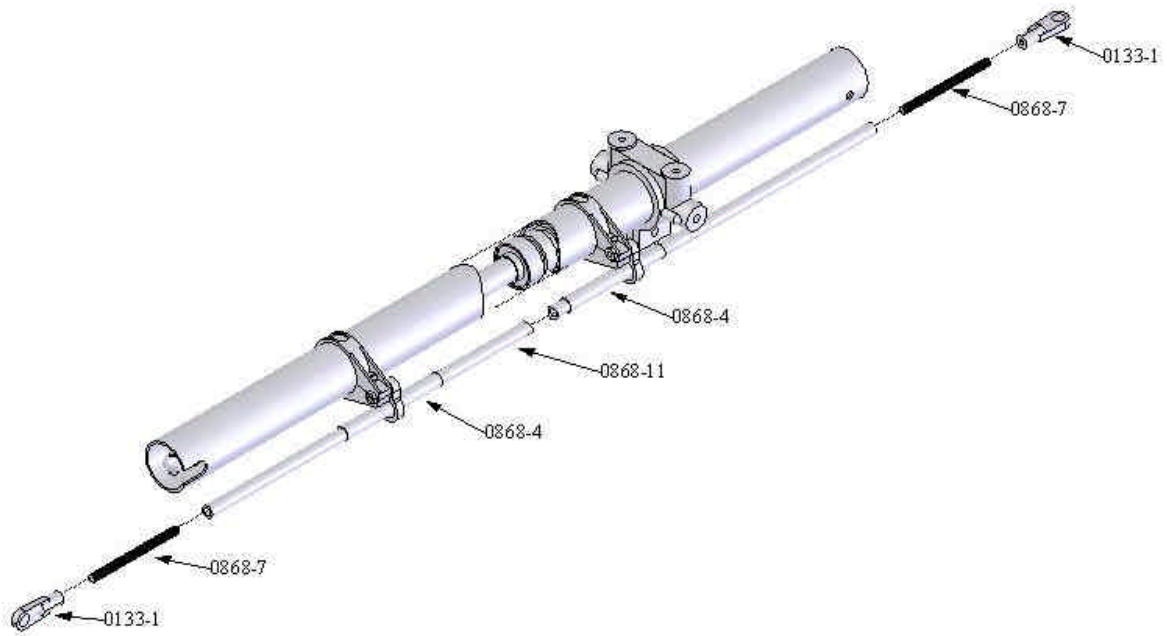
Drawing #9A-2



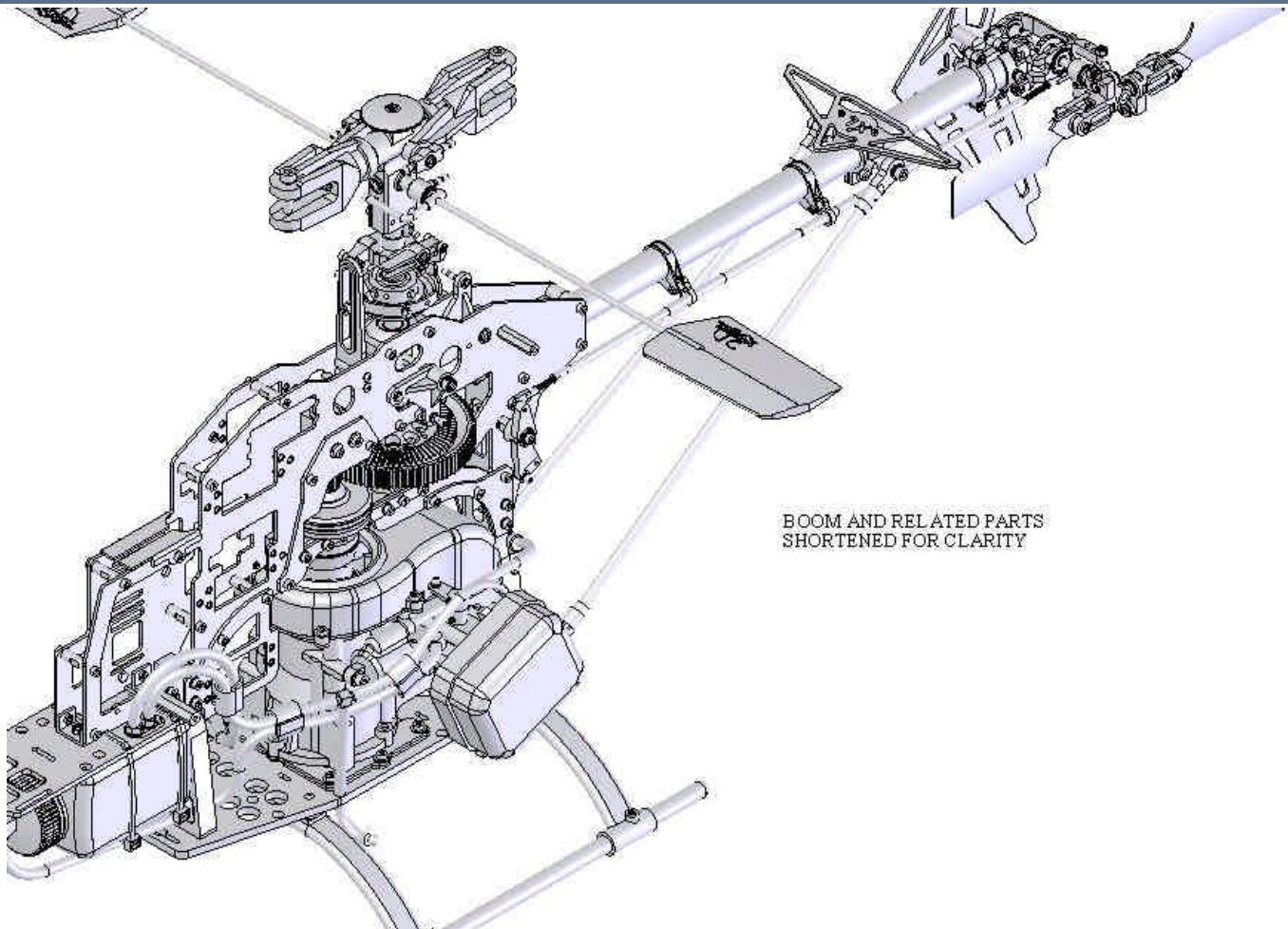
Drawing #9-A-3

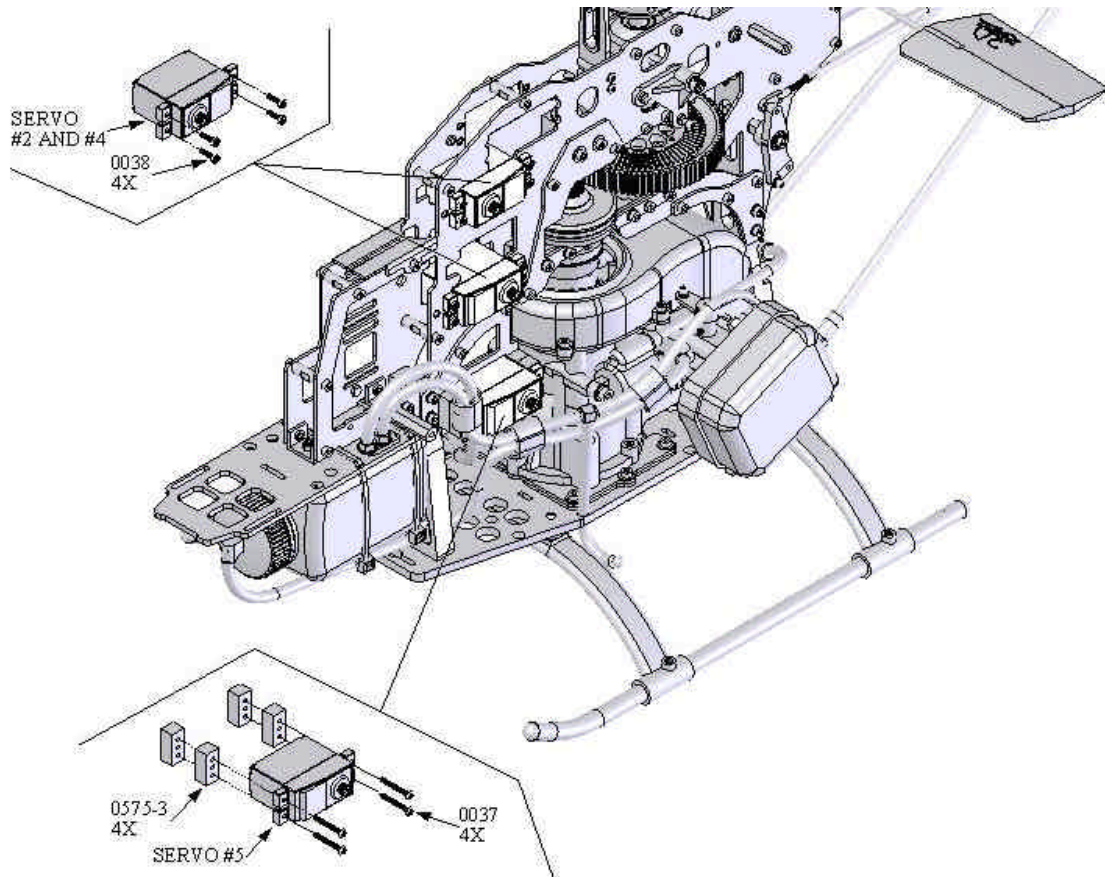


Drawing #9-B

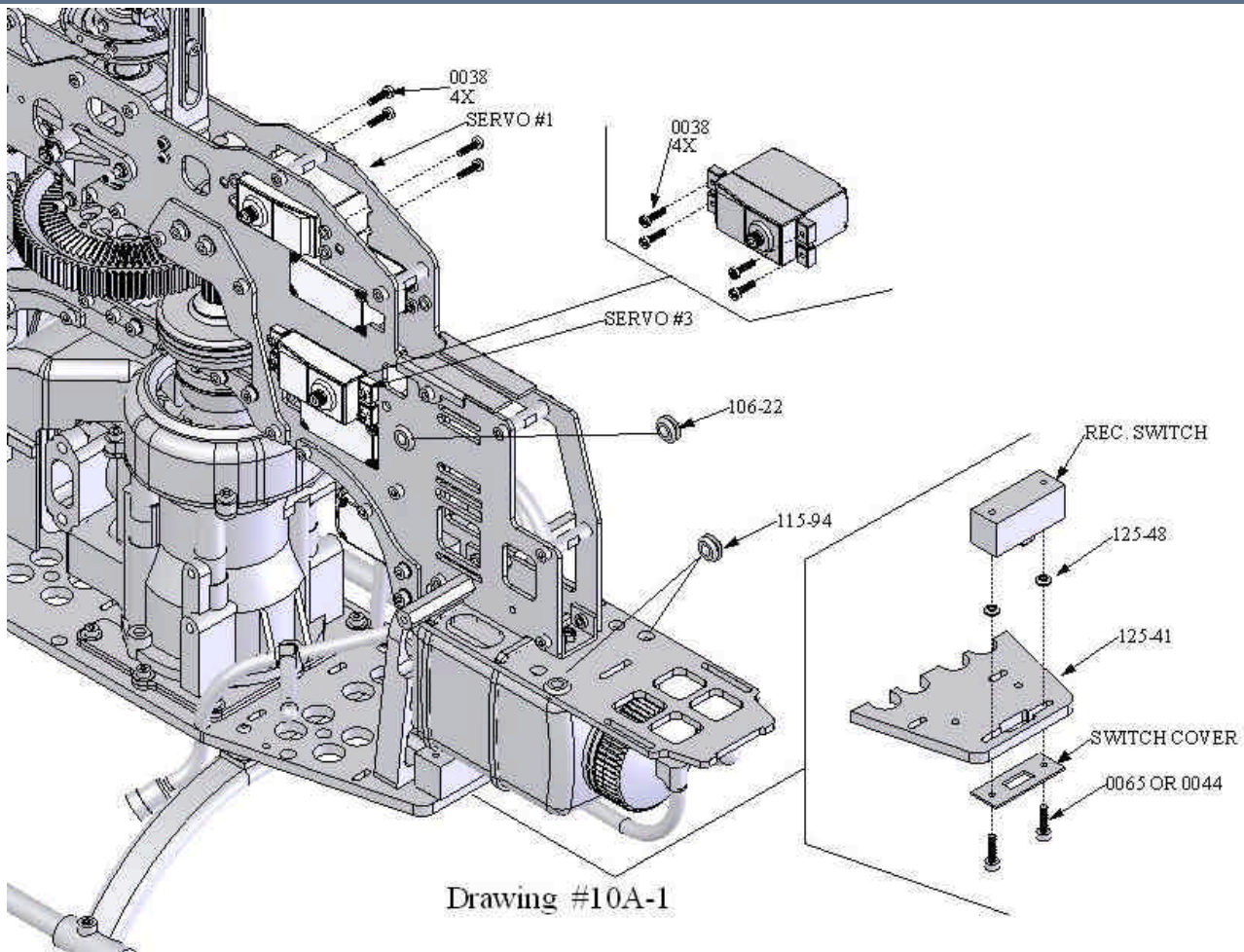


Drawing #9-C



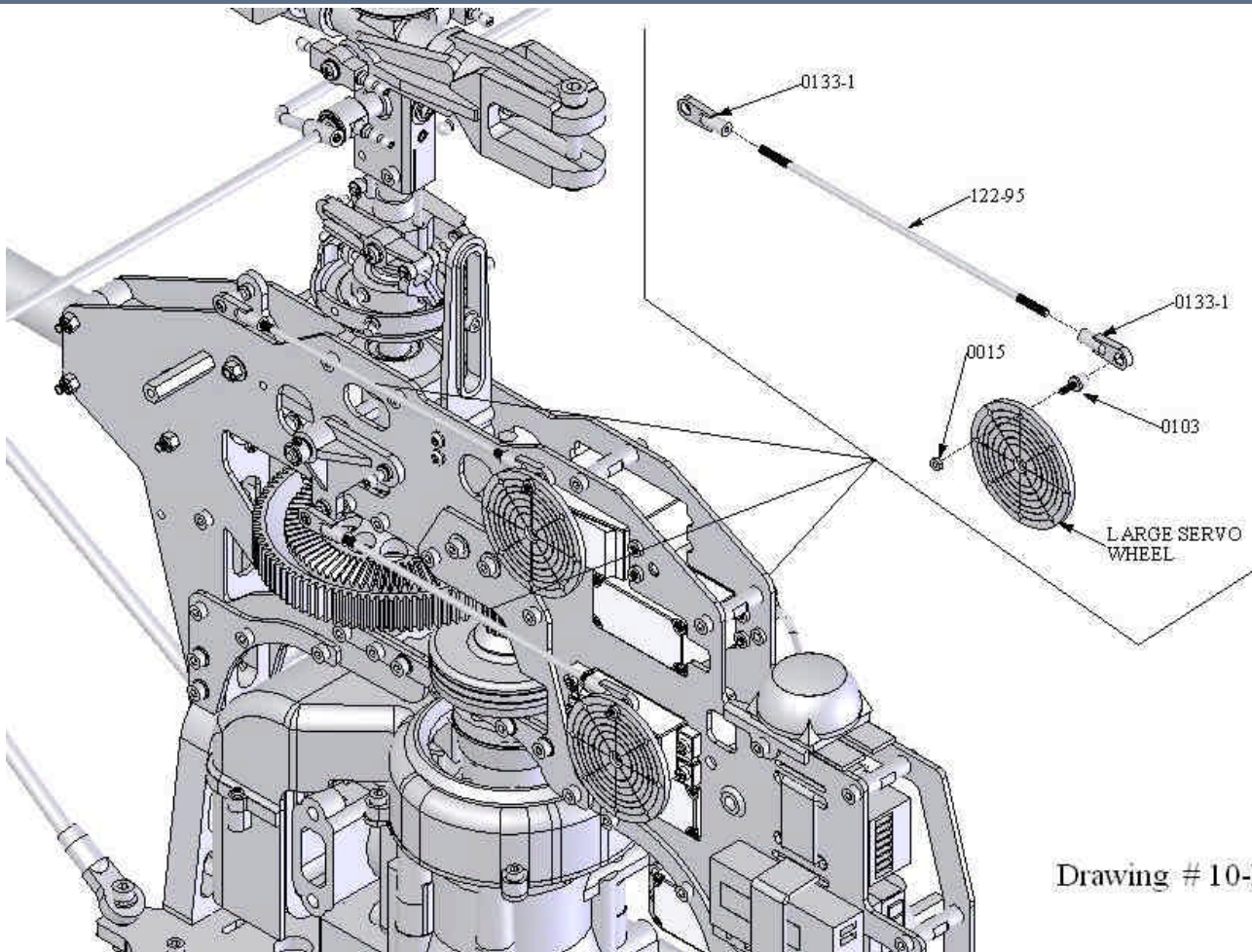
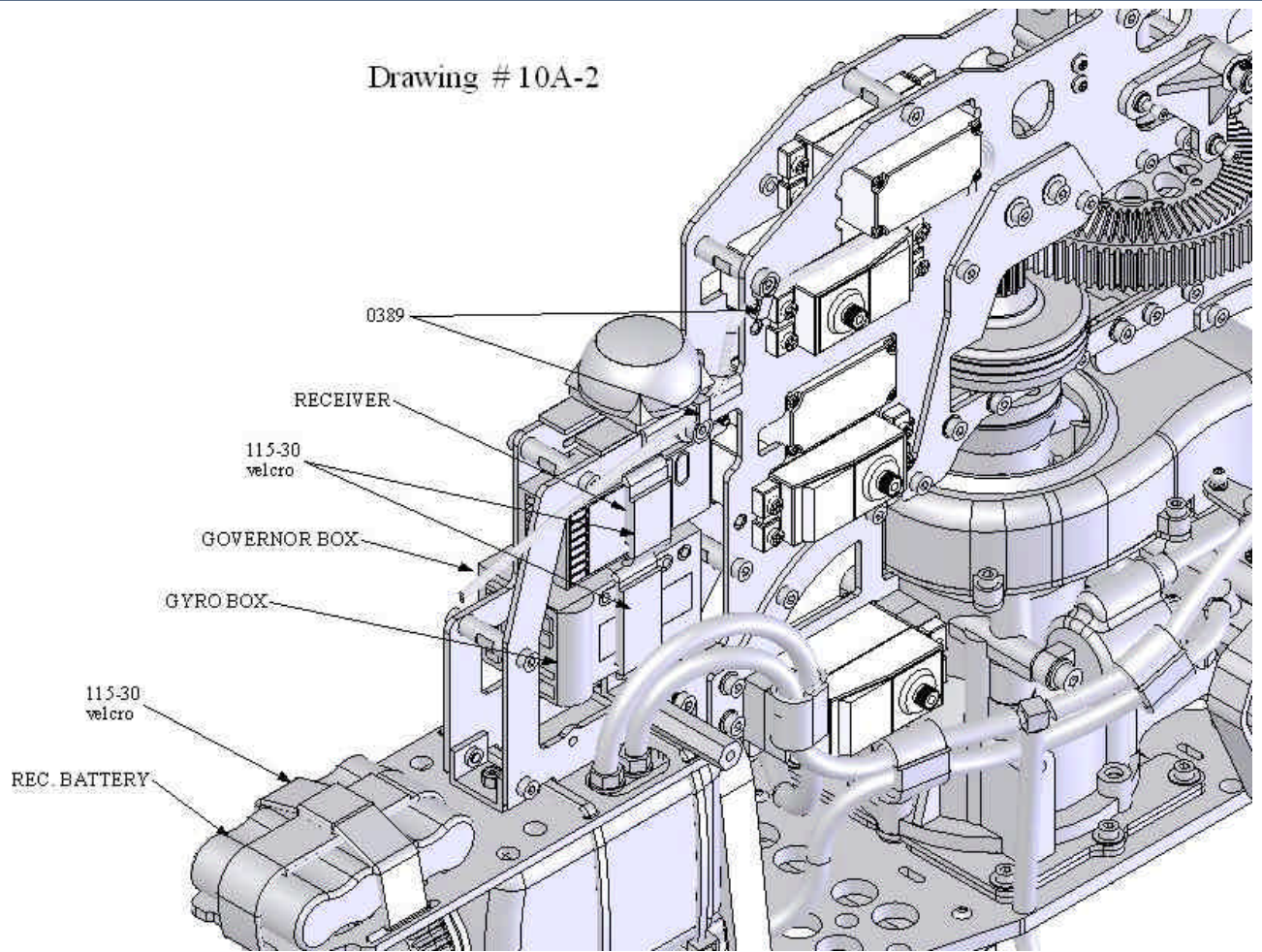


Drawing #10-A

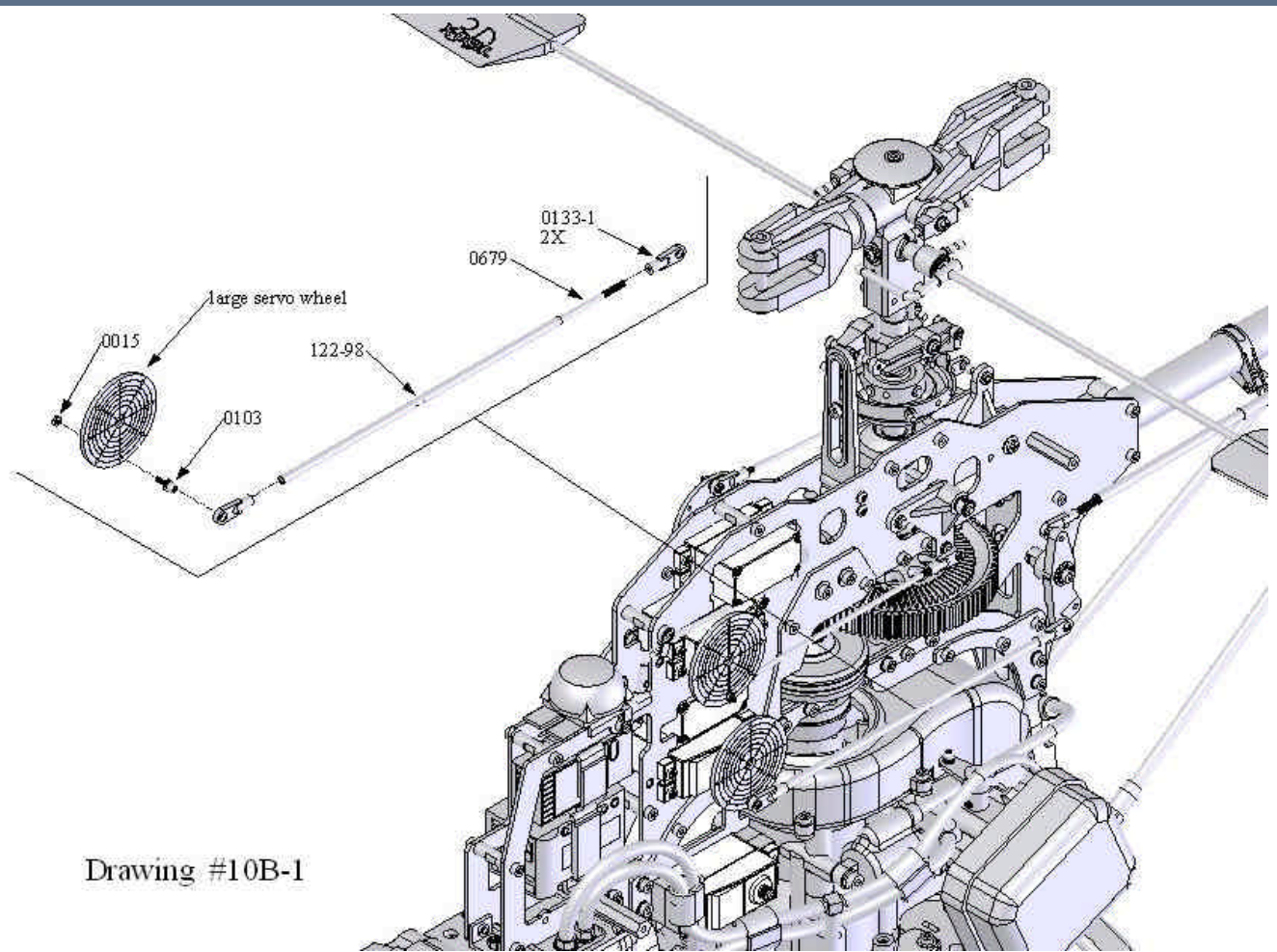


Drawing #10A-1

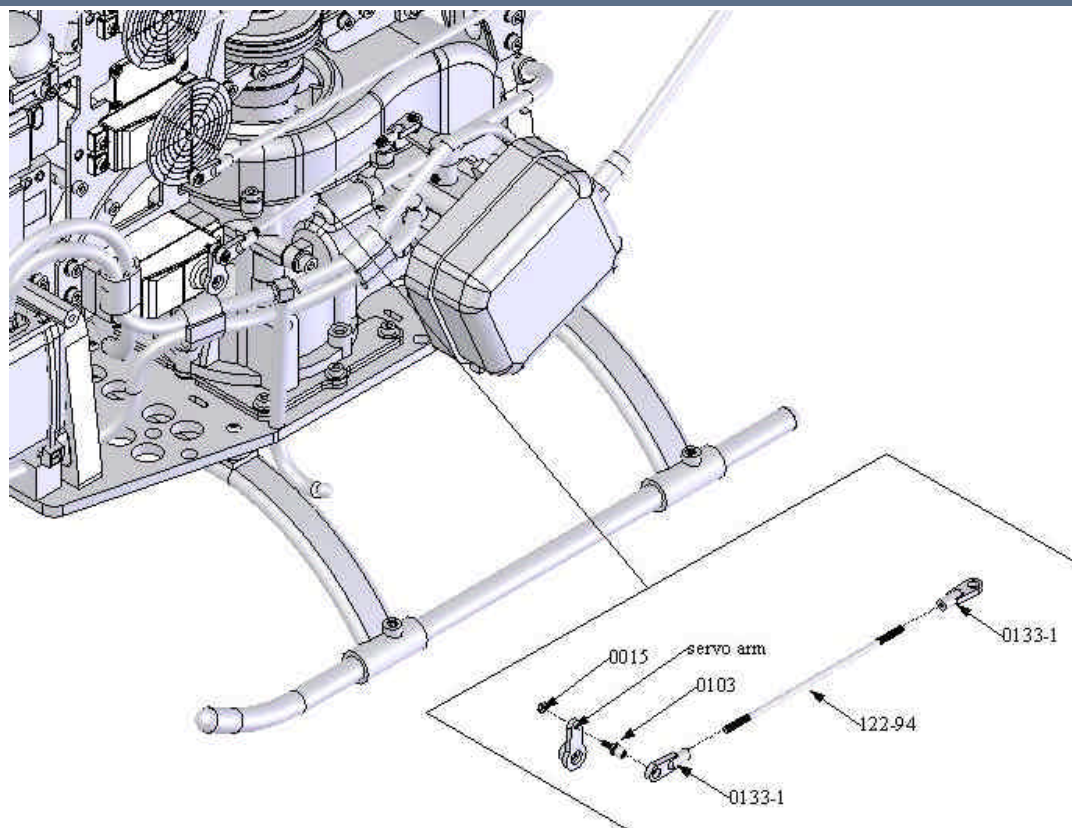
Drawing # 10A-2



Drawing # 10-B

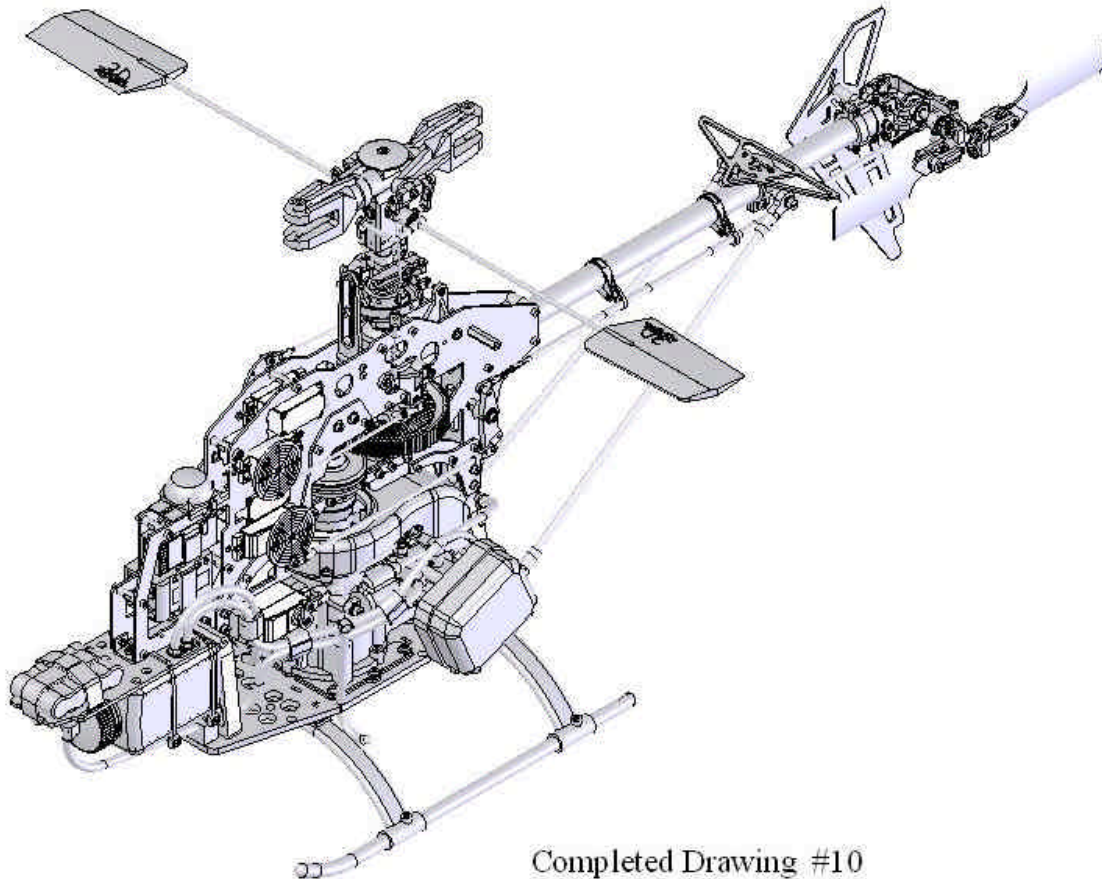
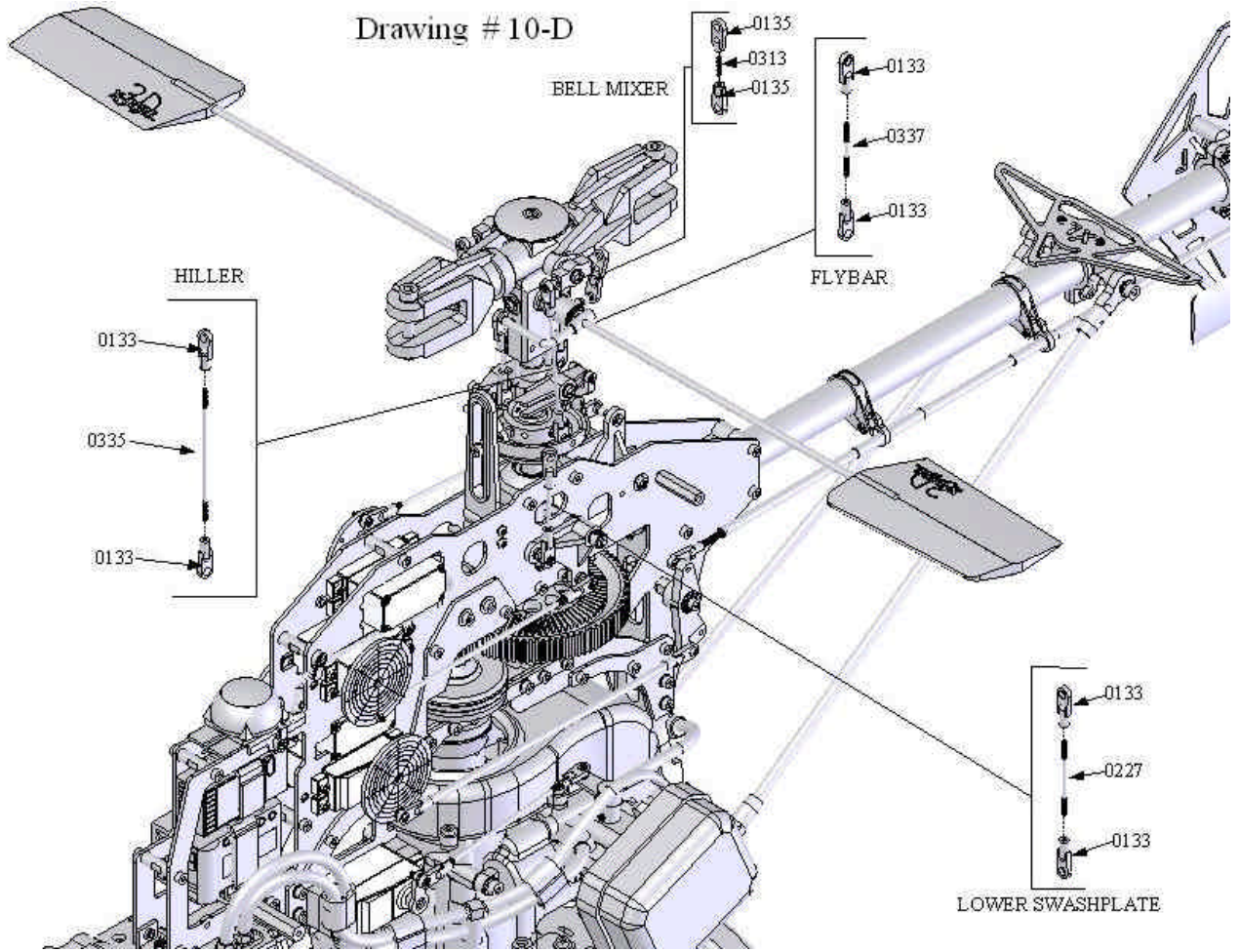


Drawing #10B-1

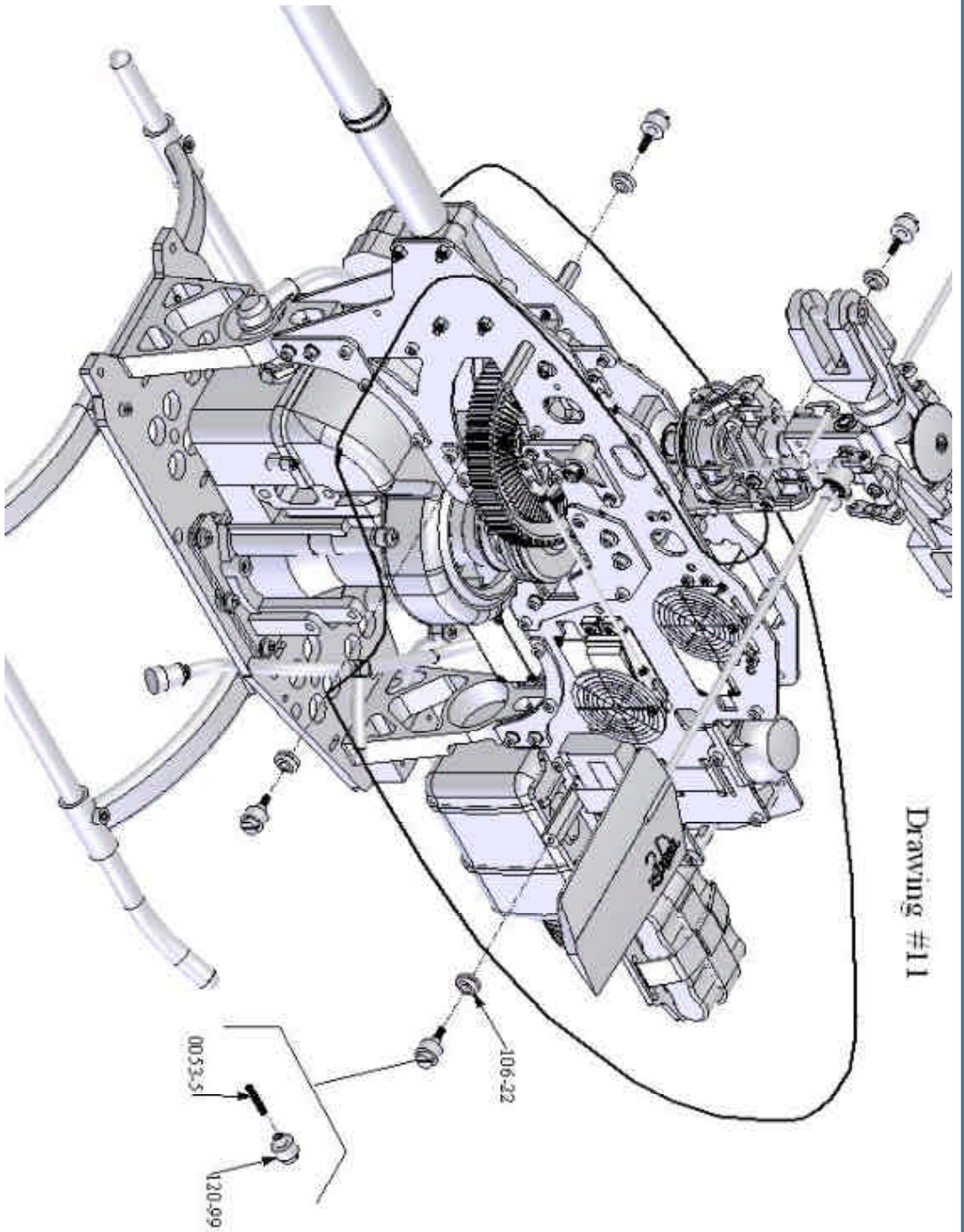


Drawing #10-C

Drawing # 10-D

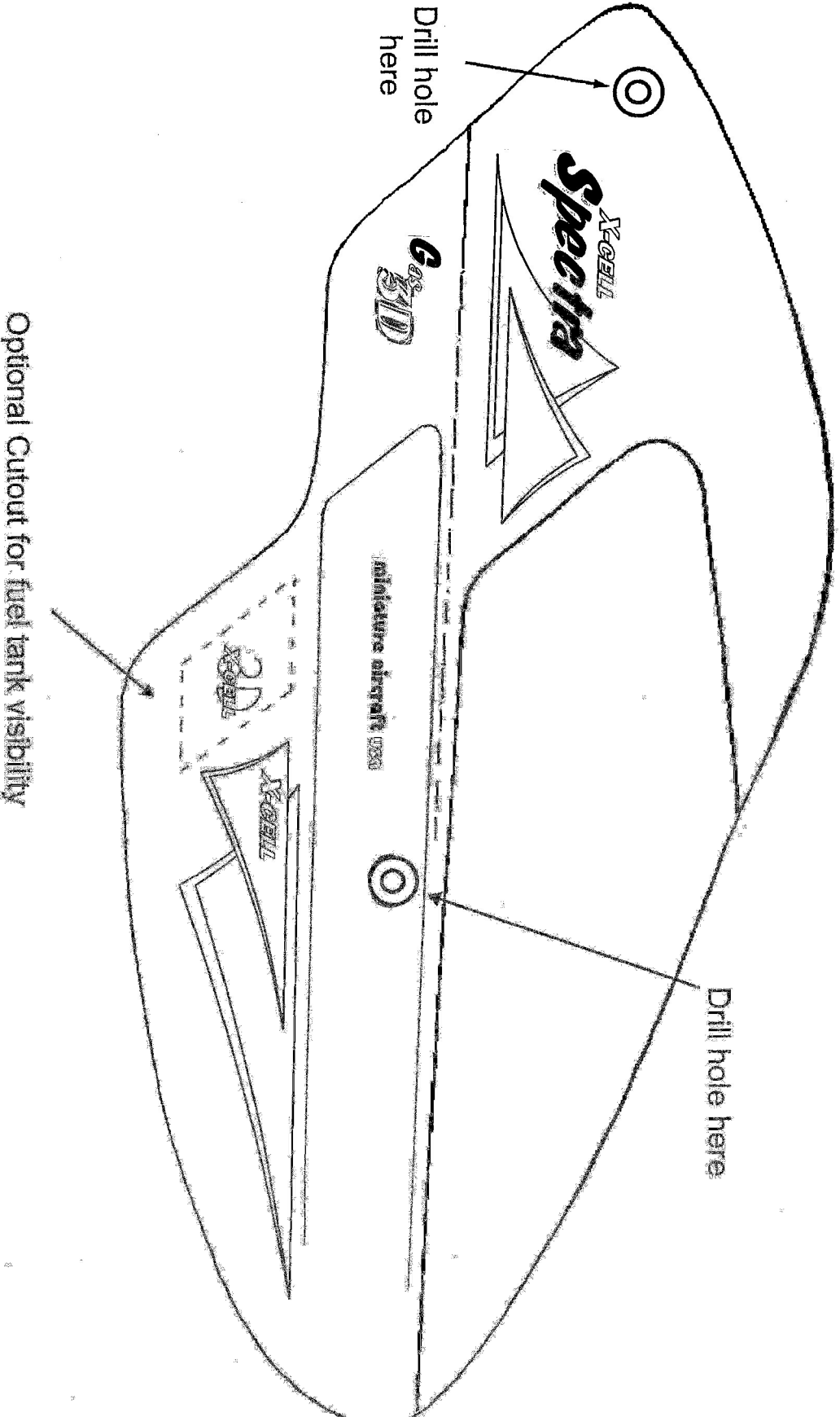


Completed Drawing #10



Drawing #11

Suggested Locations For Decal Sheet



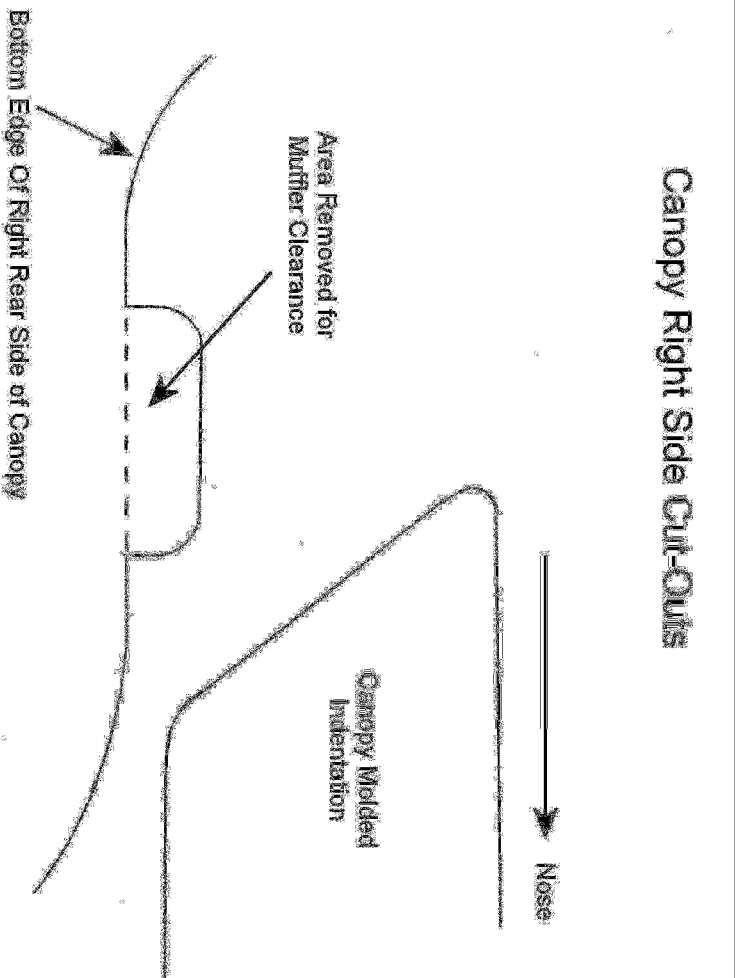
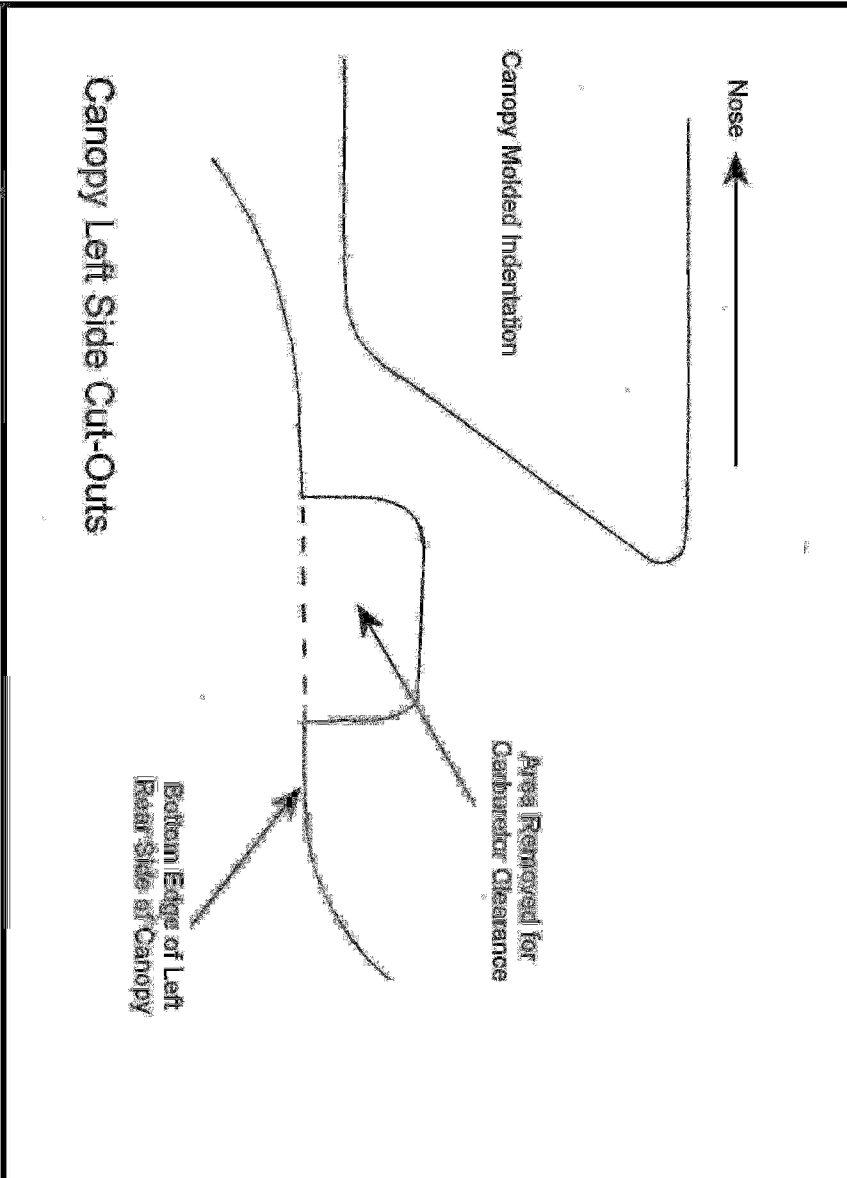
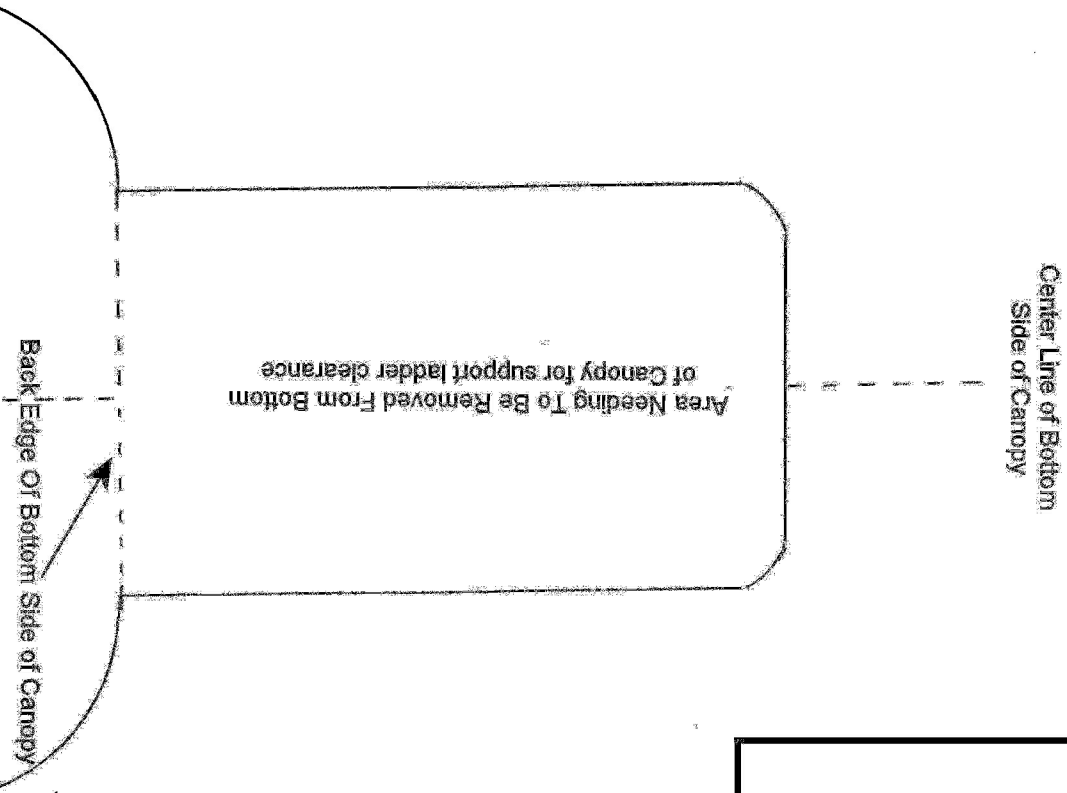
Optional Cutout for fuel tank visibility

Drill hole here

Drill hole here

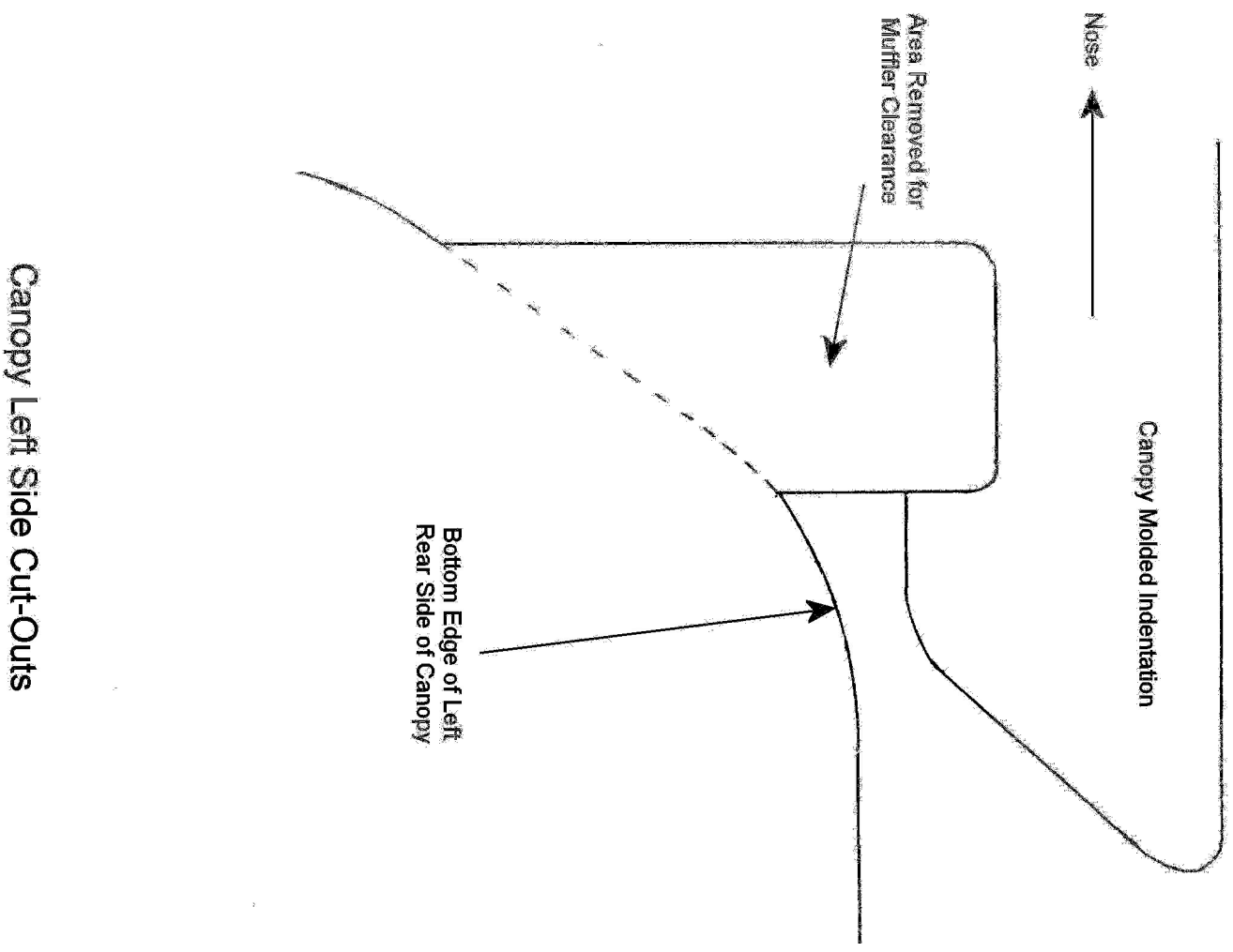
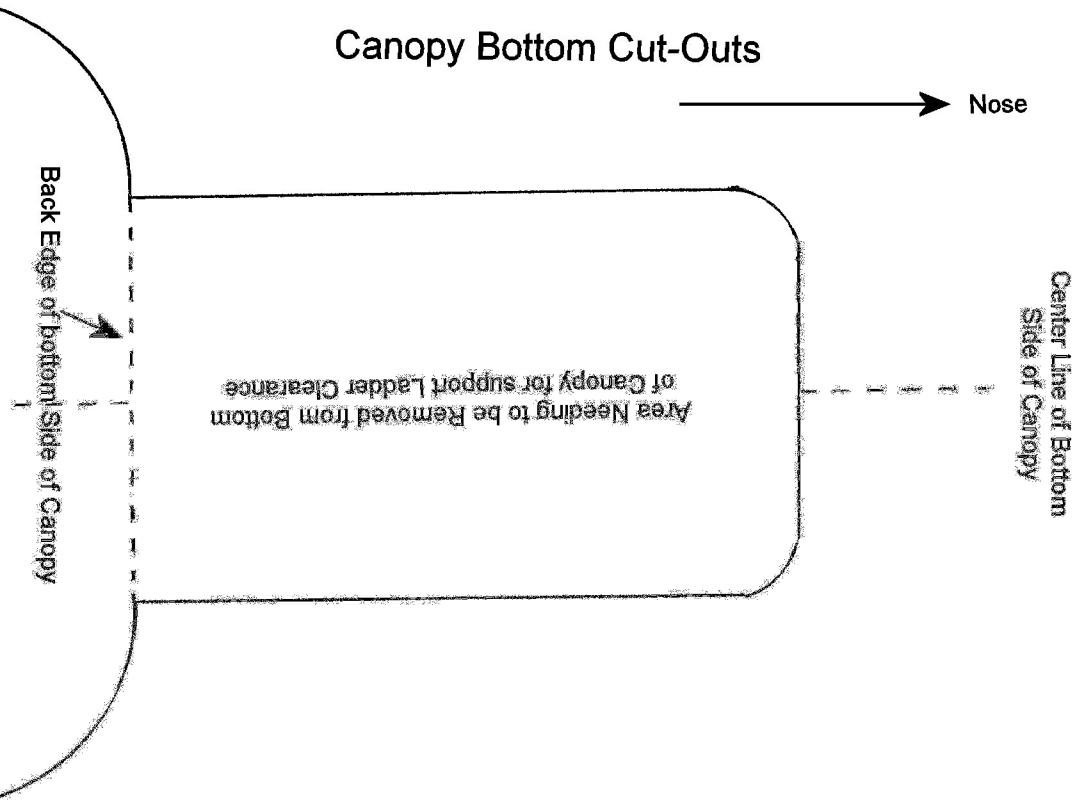
Canopy Cut-Out Positions for Rearward Facing Motor Installation

Scale - 1:1



Canopy Bottom Cut-Outs

Canopy Cut-Out Positions for Forward Facing Motor Installation Part A - Scale 1:1



Canopy Left Side Cut-Outs

Canopy Cut-Out Positions for Forward Facing Motor Installation Part B - Scale 1:1

