



Drawings Manual #124-100B



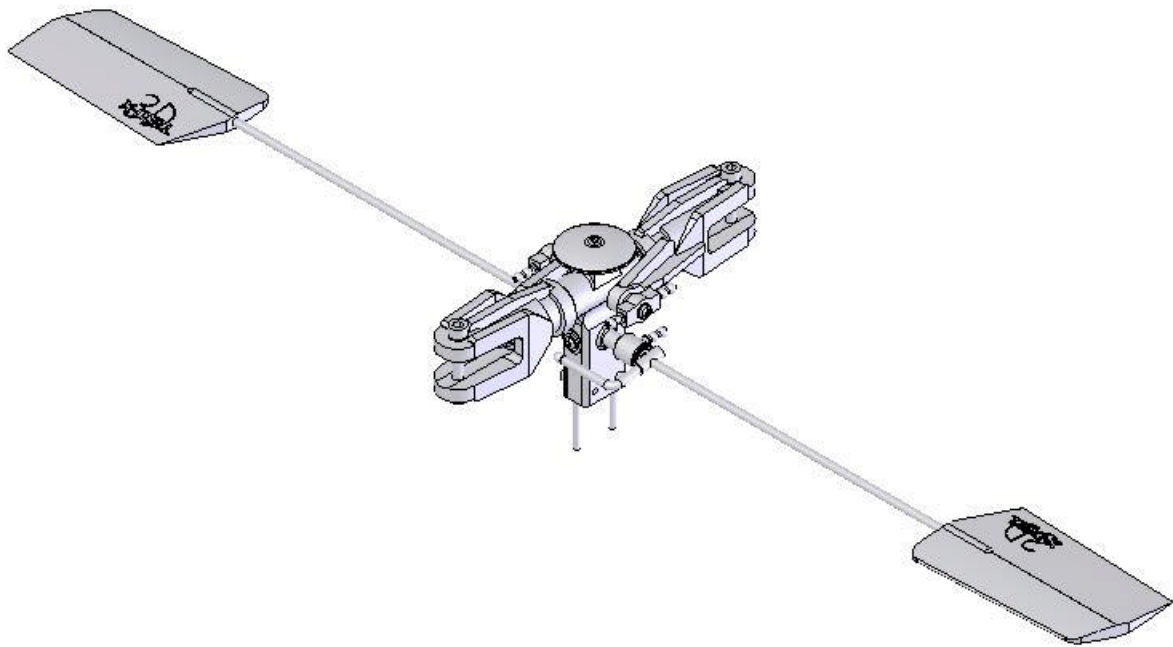
miniature aircraft usa

31713 Long Acres Drive
Sorrento, FL 32776

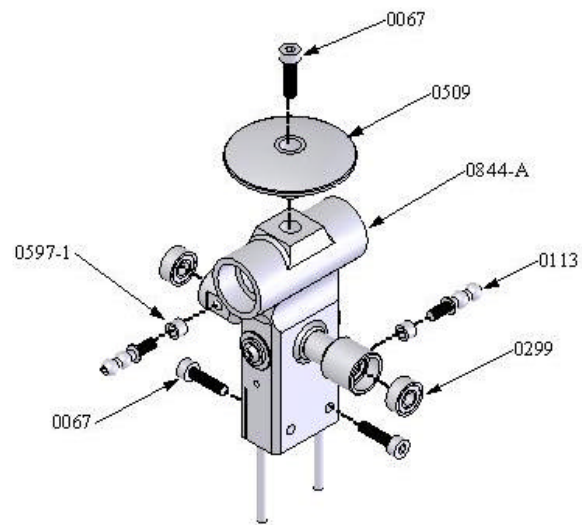
Phone (352)-383-3201 FAX (352)-383-3204

Website: www.miniatureaircraftusa.com

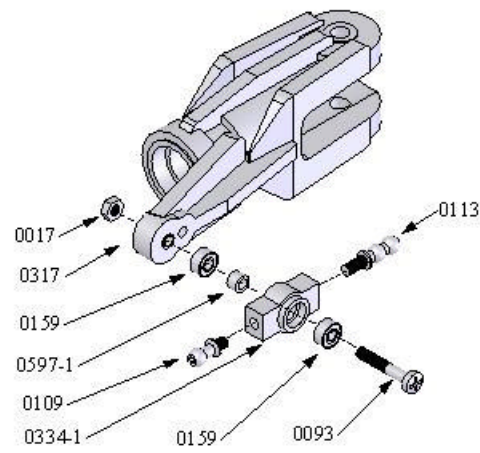
E-Mail: minair@earthlink.net



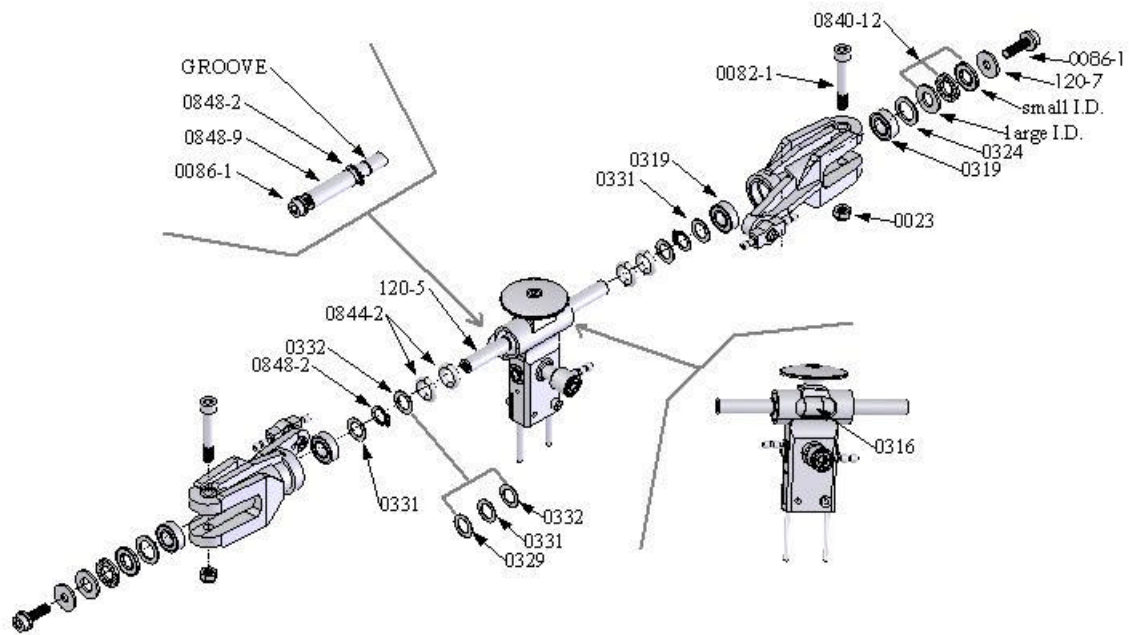
Completed
Drawing #1



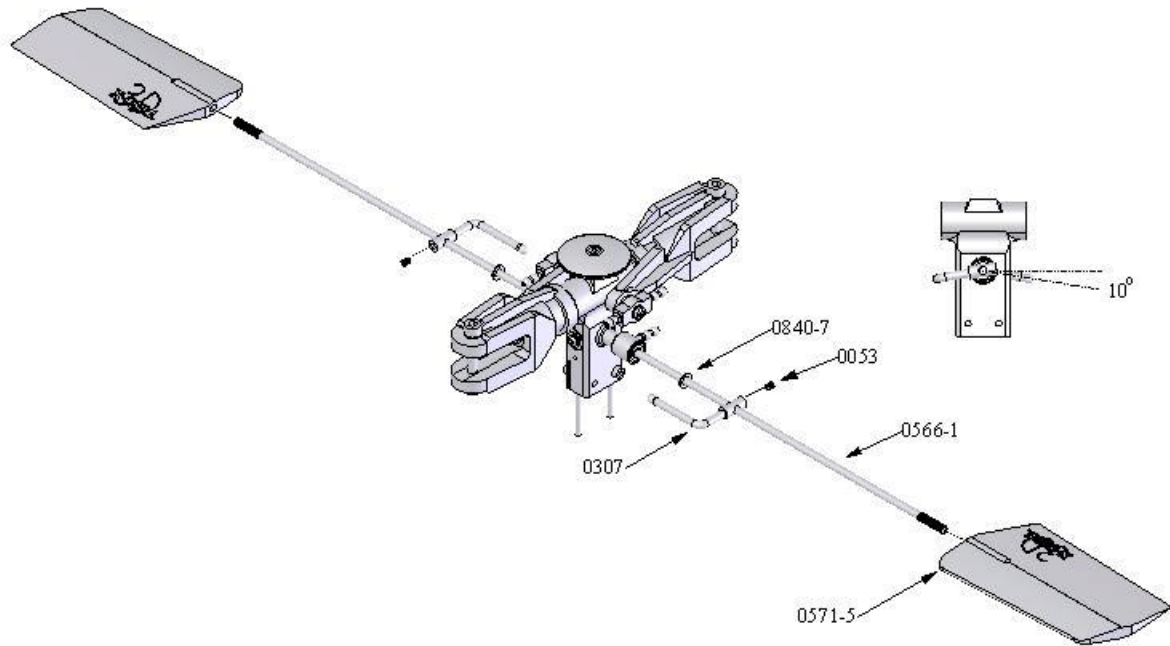
Drawing #1-A



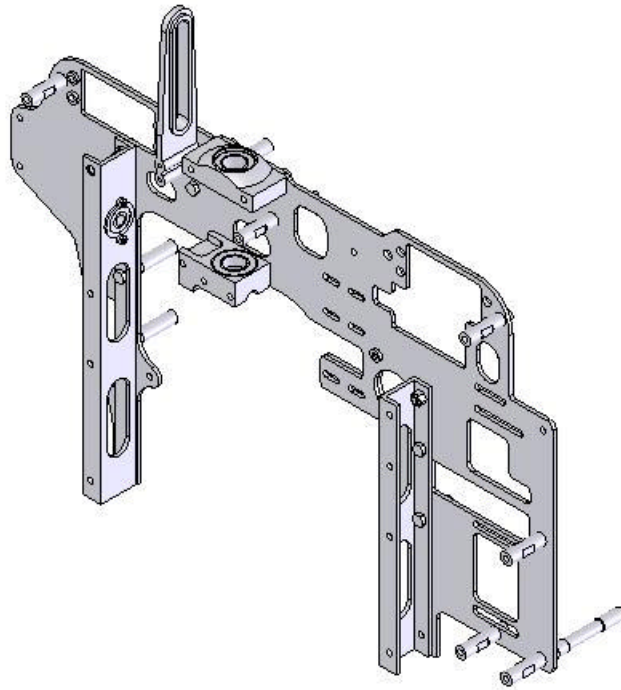
Drawing #1-B



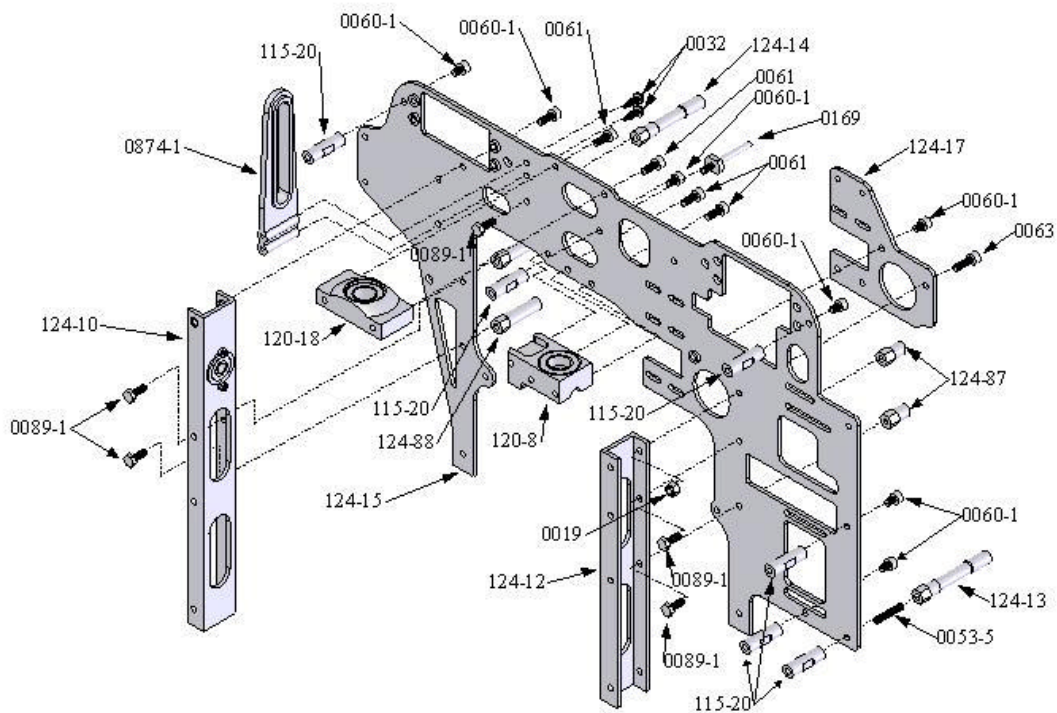
Drawing #1-C



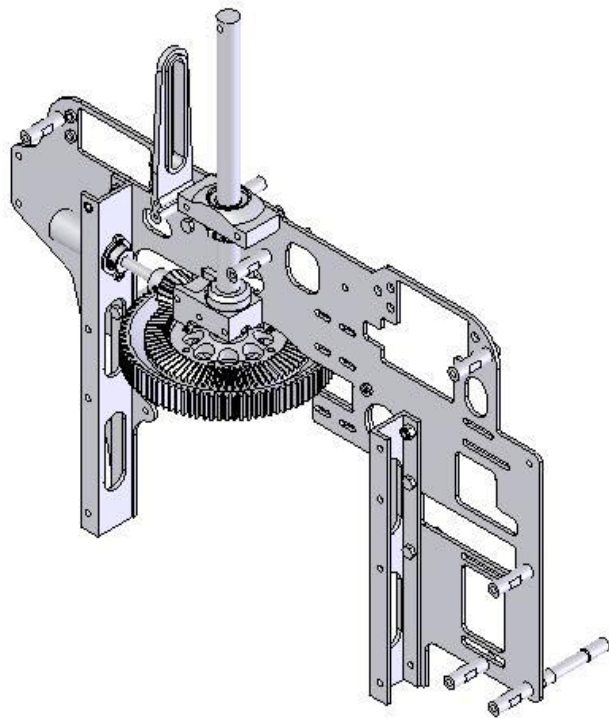
Drawing #1-D



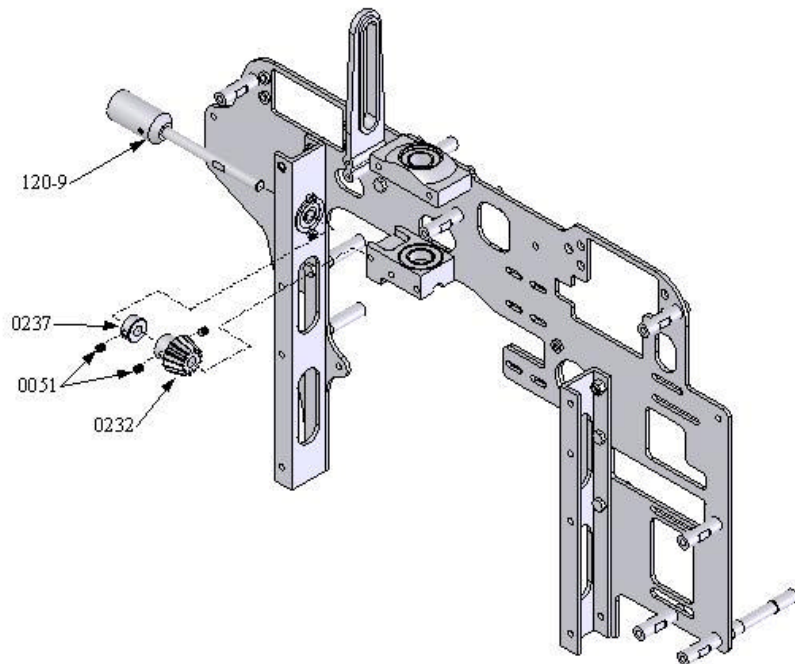
Completed
Drawing #2



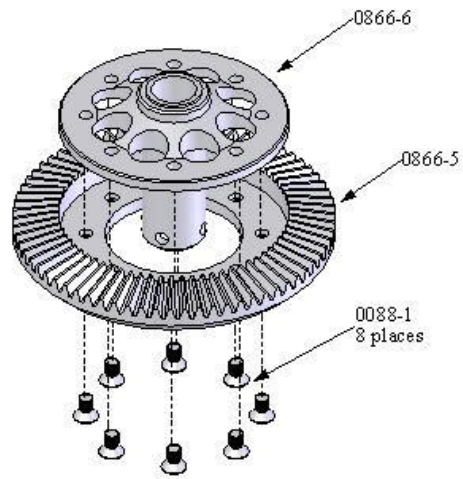
Drawing #2-A



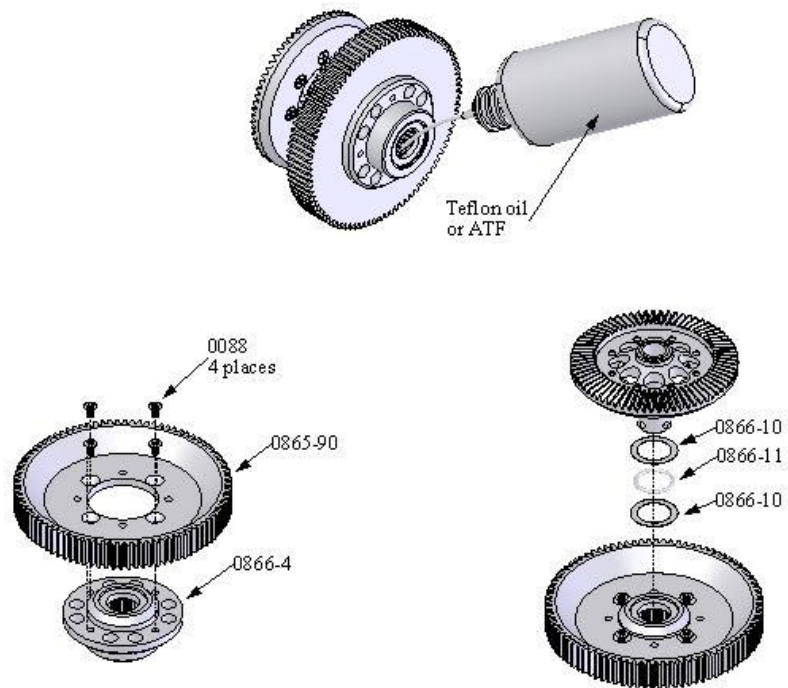
Completed
Drawing #3



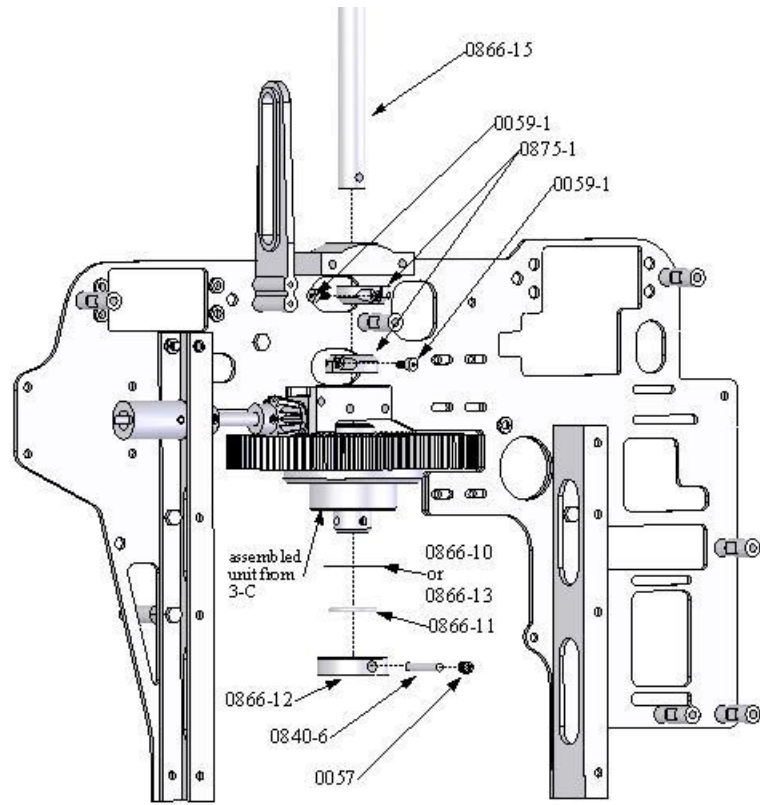
Drawing #3-A



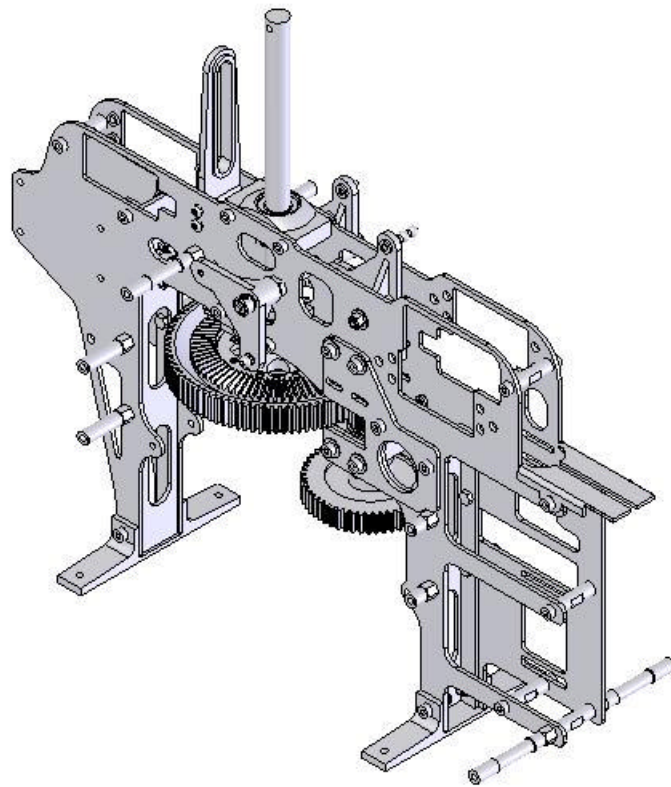
Drawing #3-B



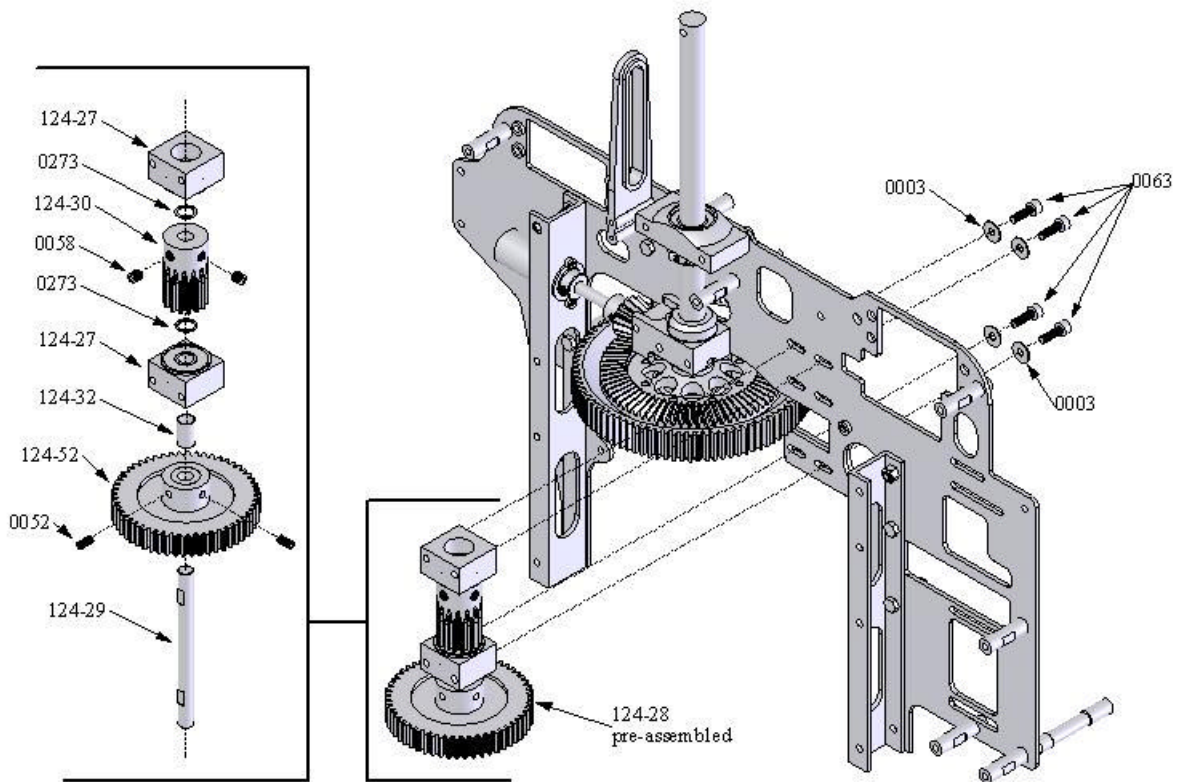
Drawing #3-C



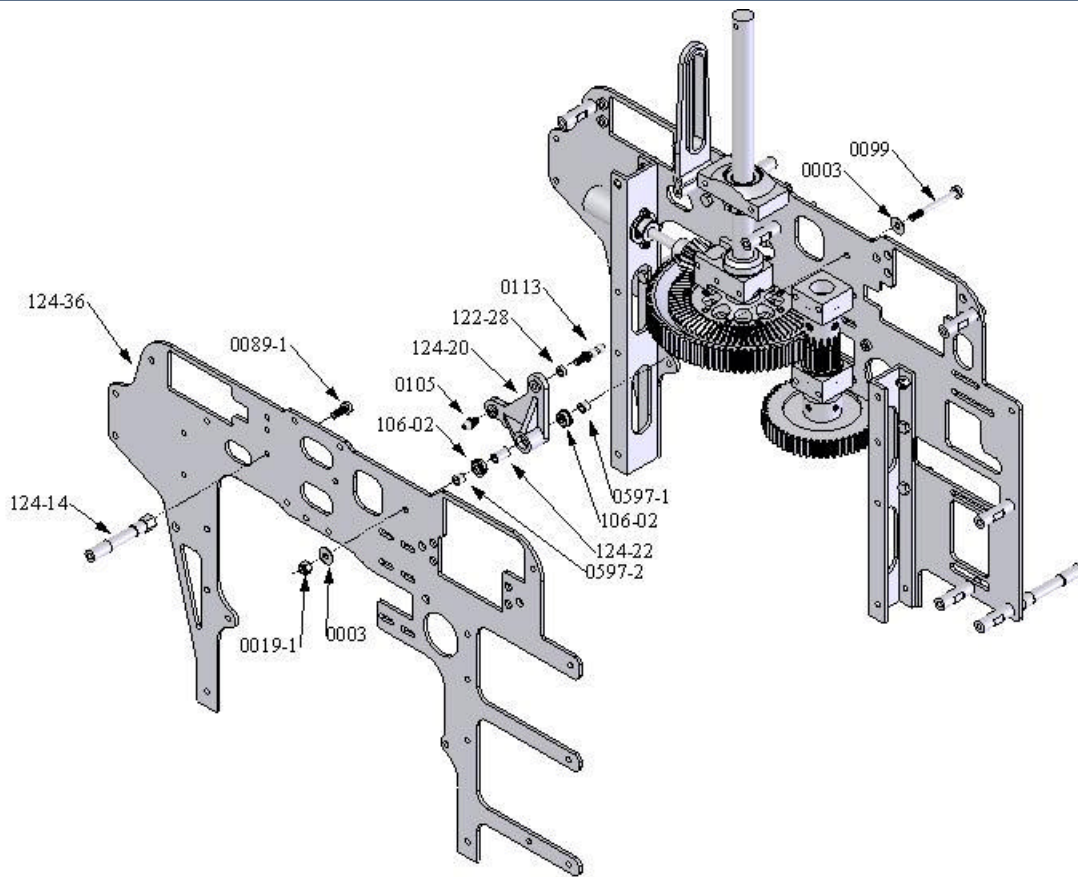
Drawing #3-D



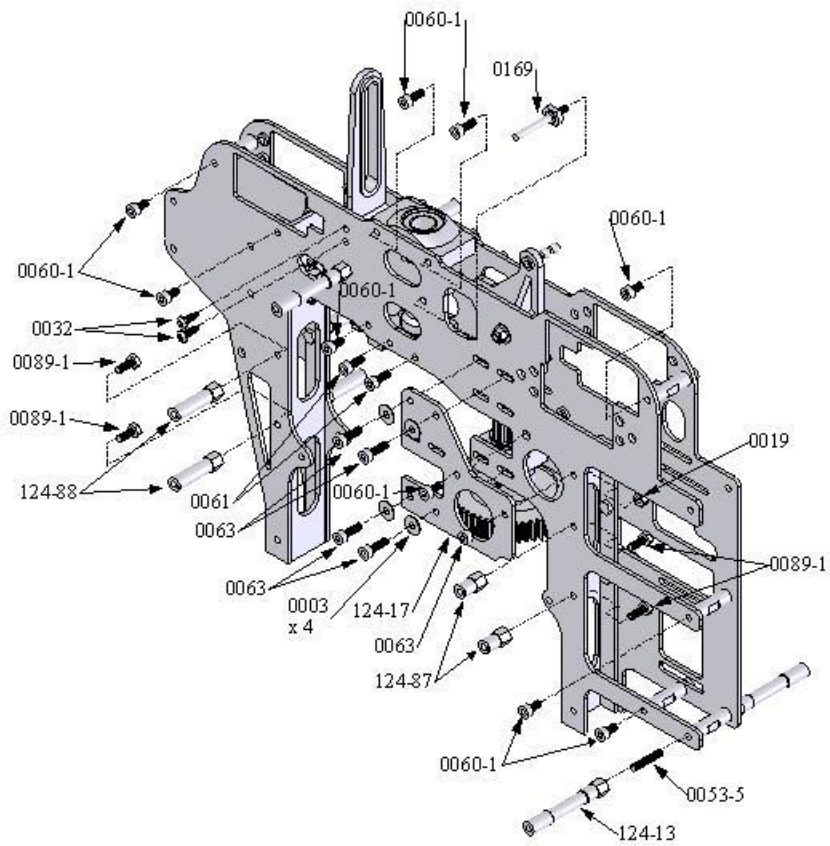
Completed
Drawing #4



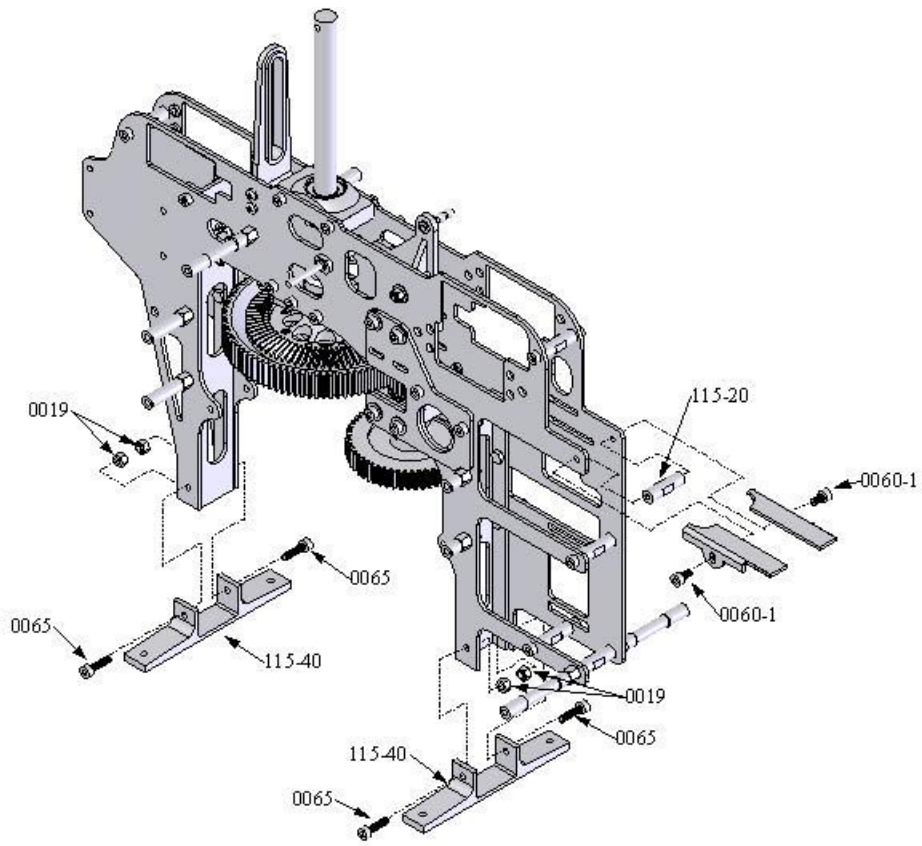
Drawing #4-A



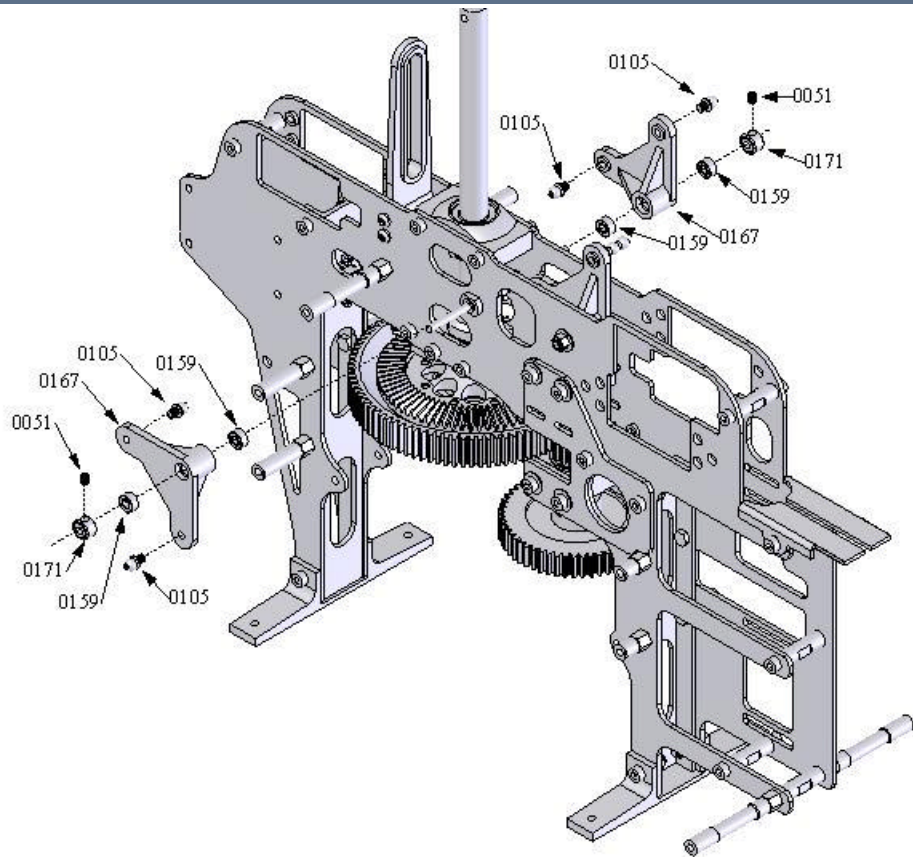
Drawing #4-B



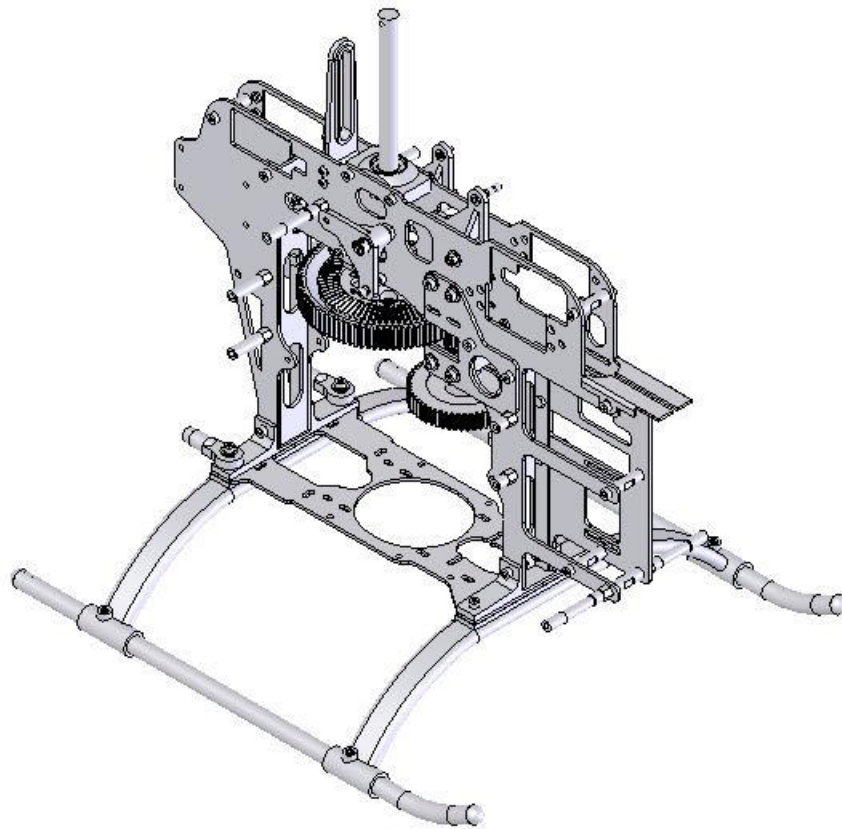
Drawing #4-C



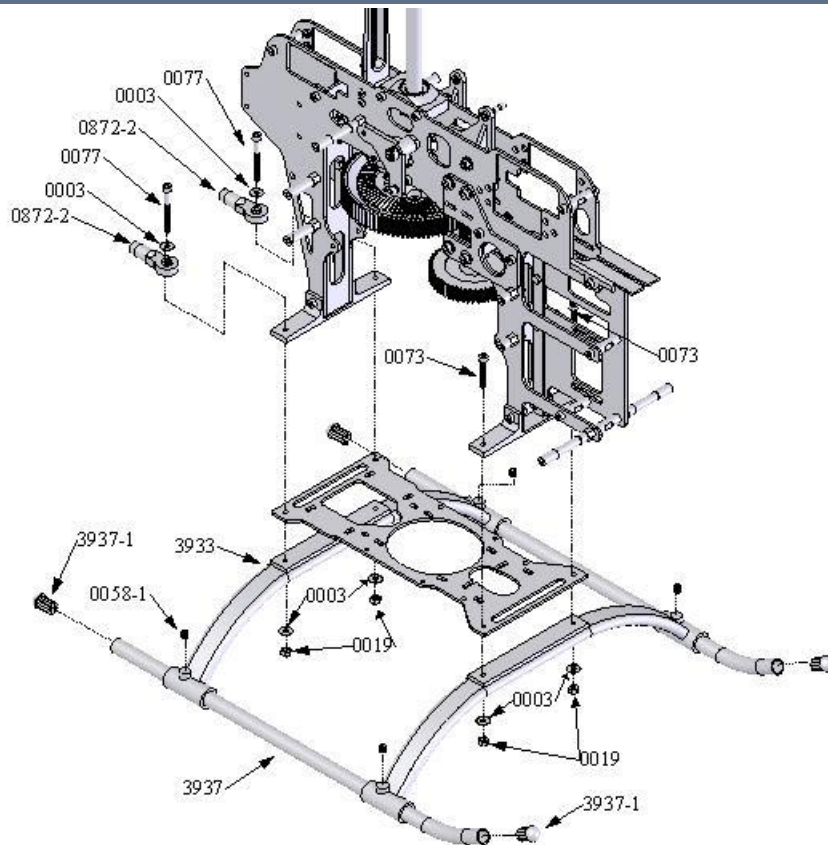
Drawing #4-D



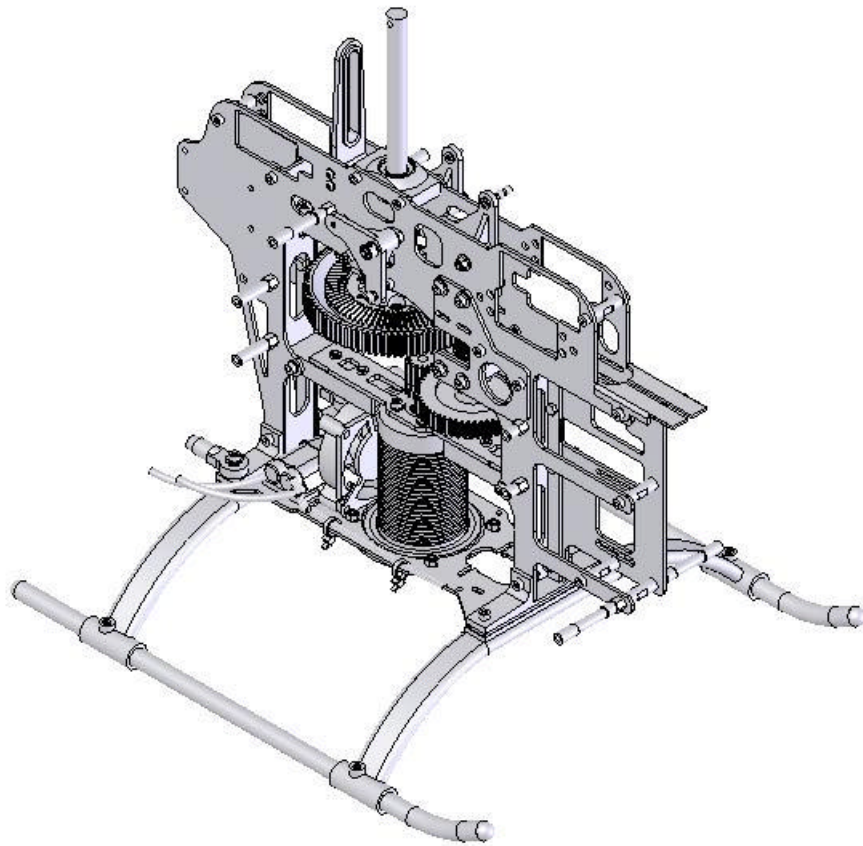
Drawing #4-E



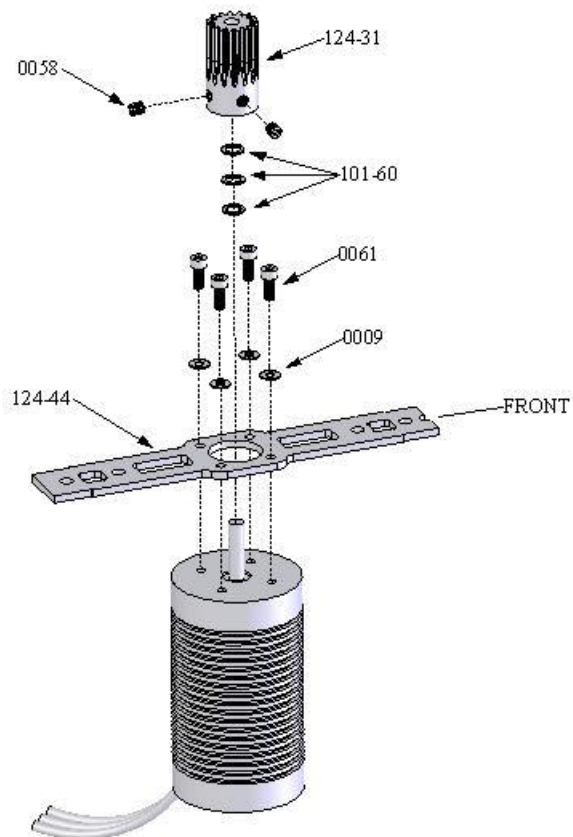
Completed
Drawing #5



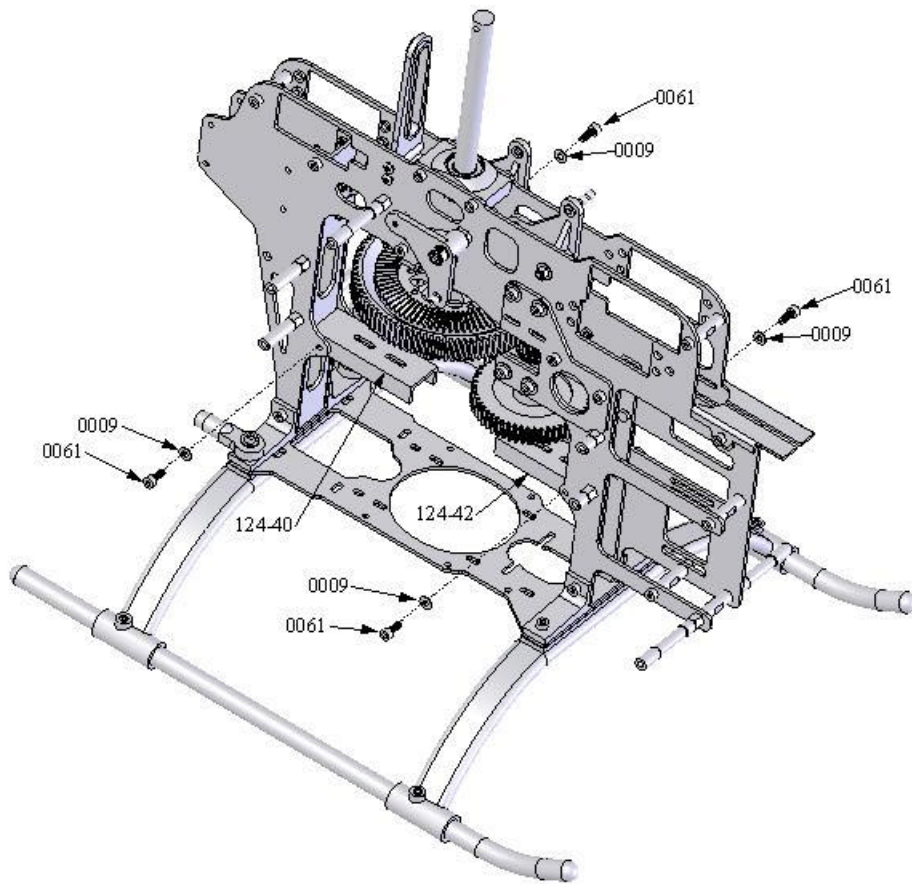
Drawing #5-A



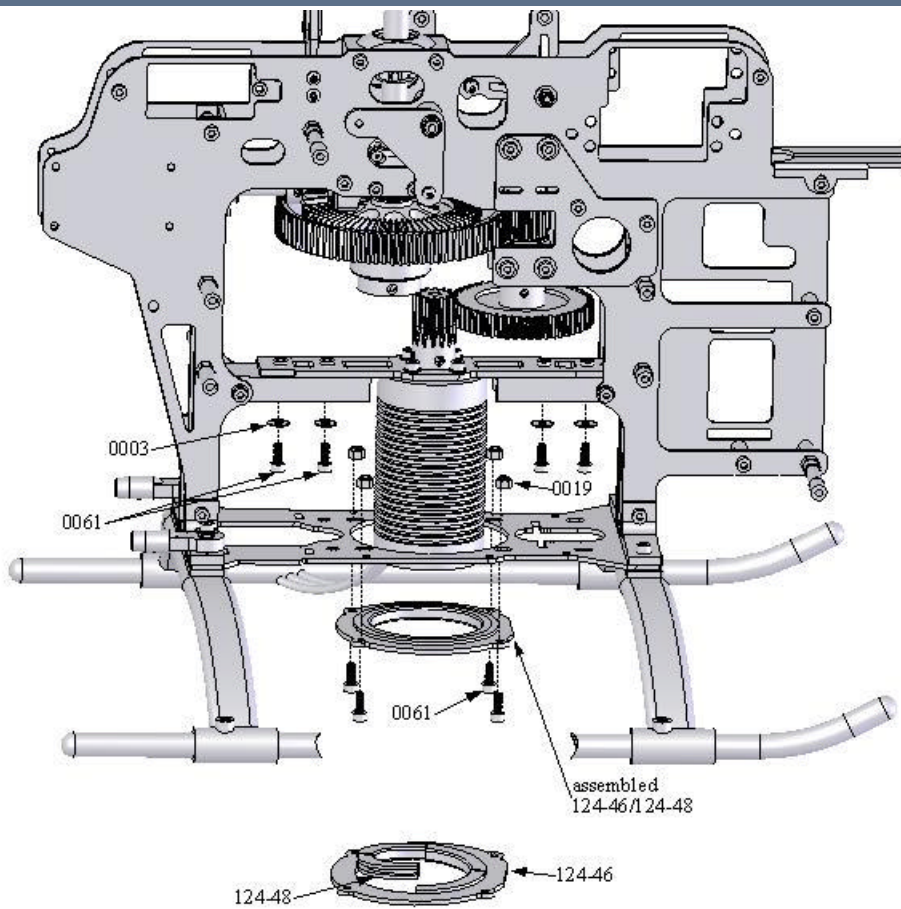
Completed
Drawing #6



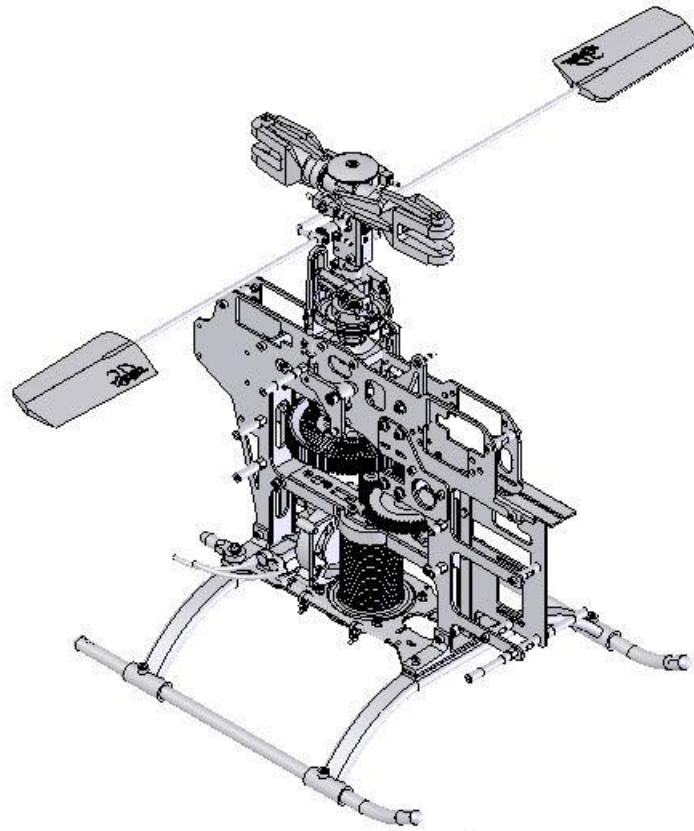
Drawing #6A-1



Drawing #6A-2

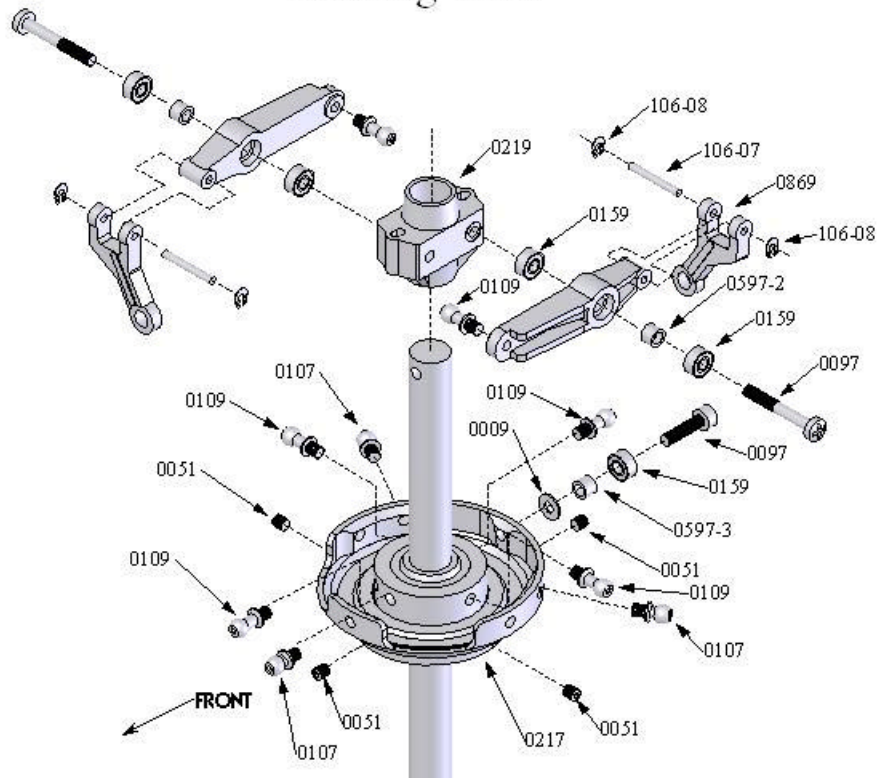


Drawing #6A-3

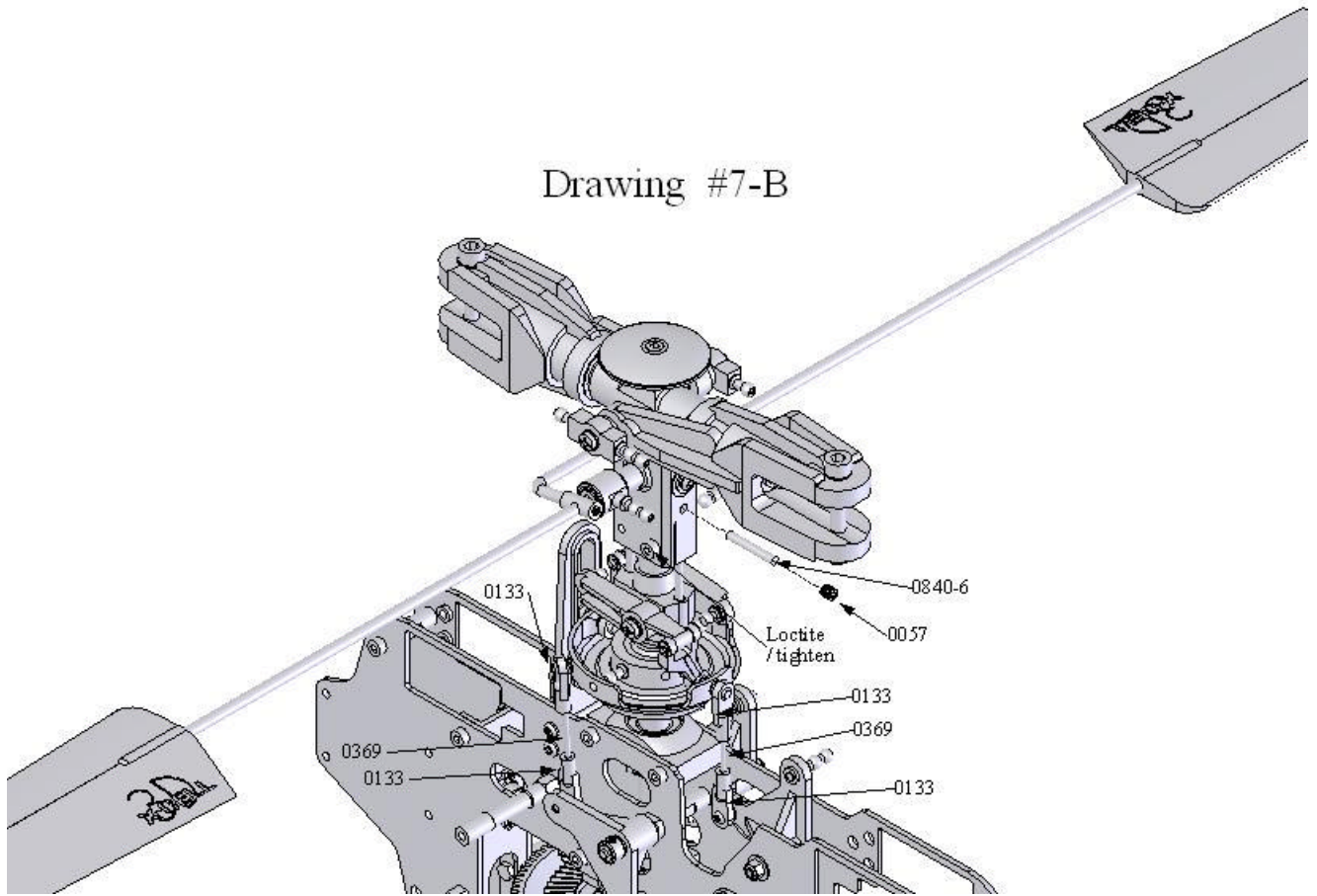


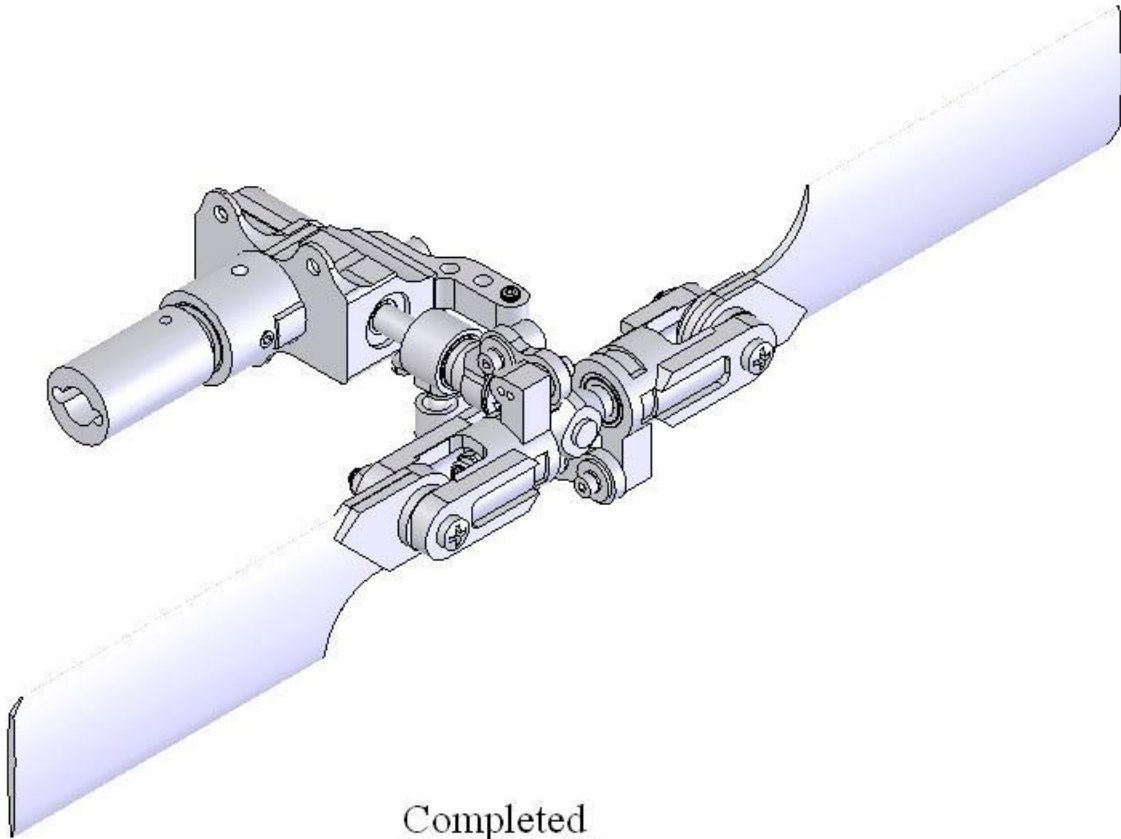
Completed
Drawing #7

Drawing #7-A

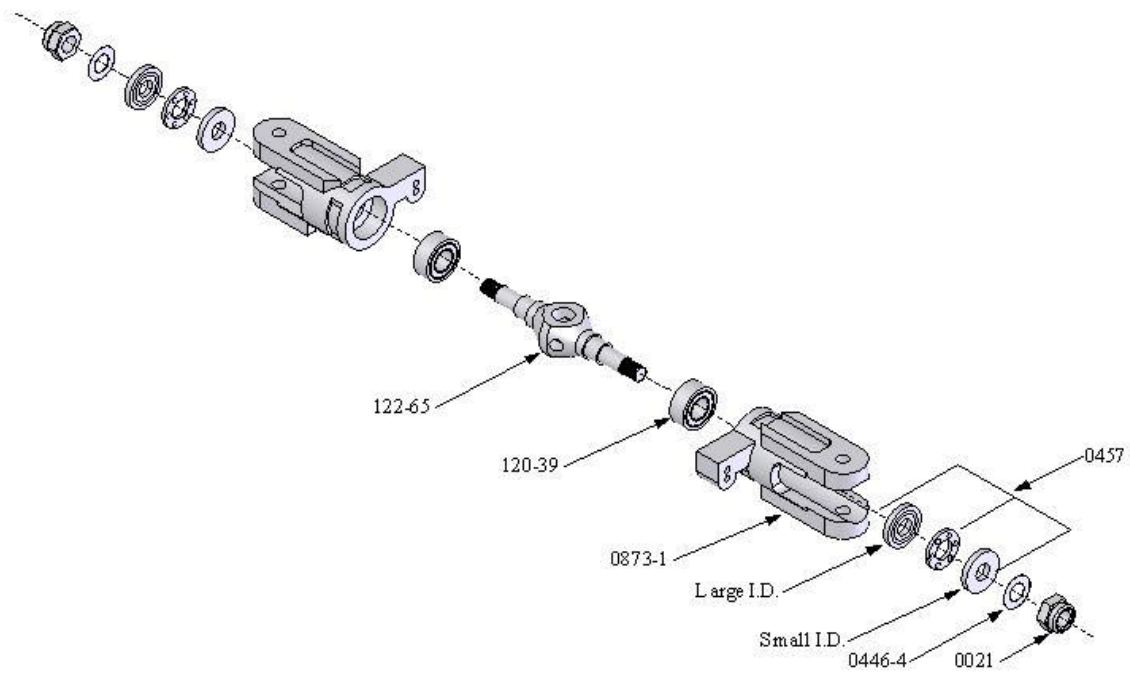


Drawing #7-B

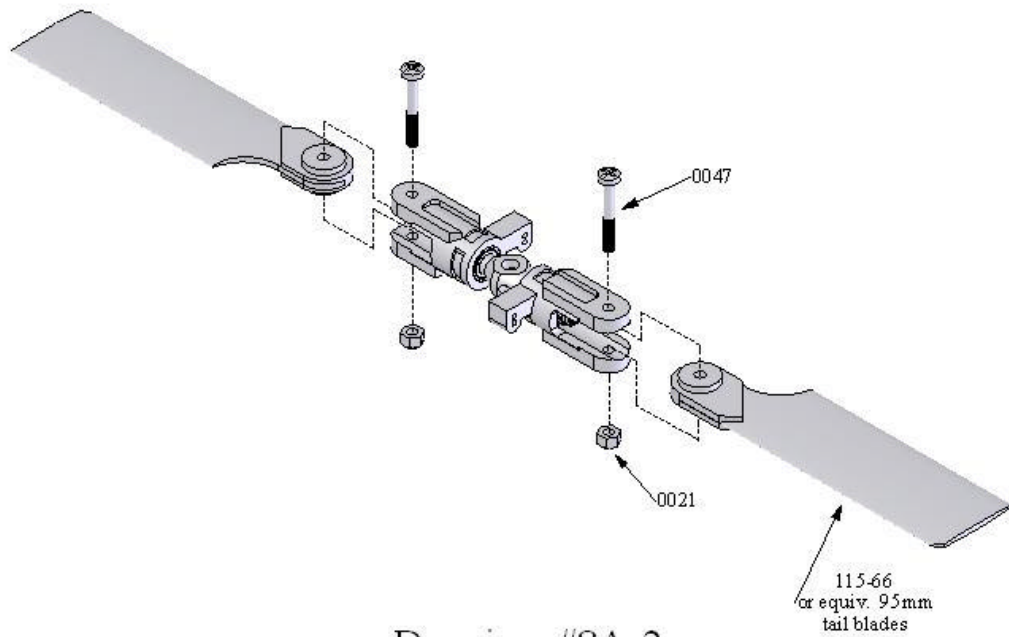




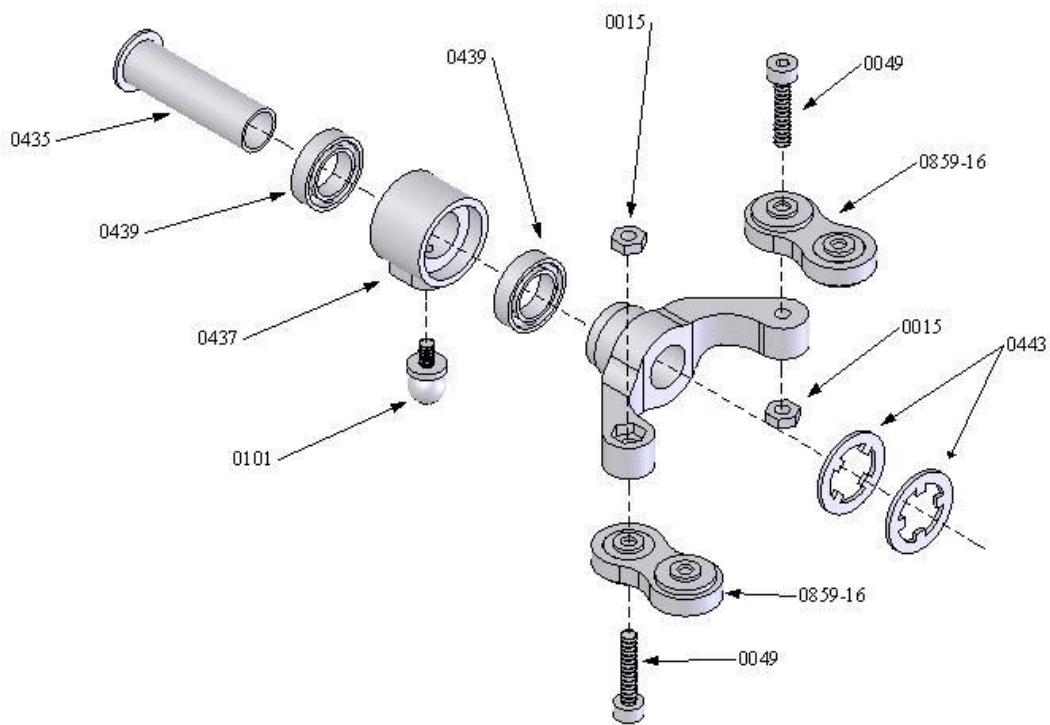
Completed
Drawing #8



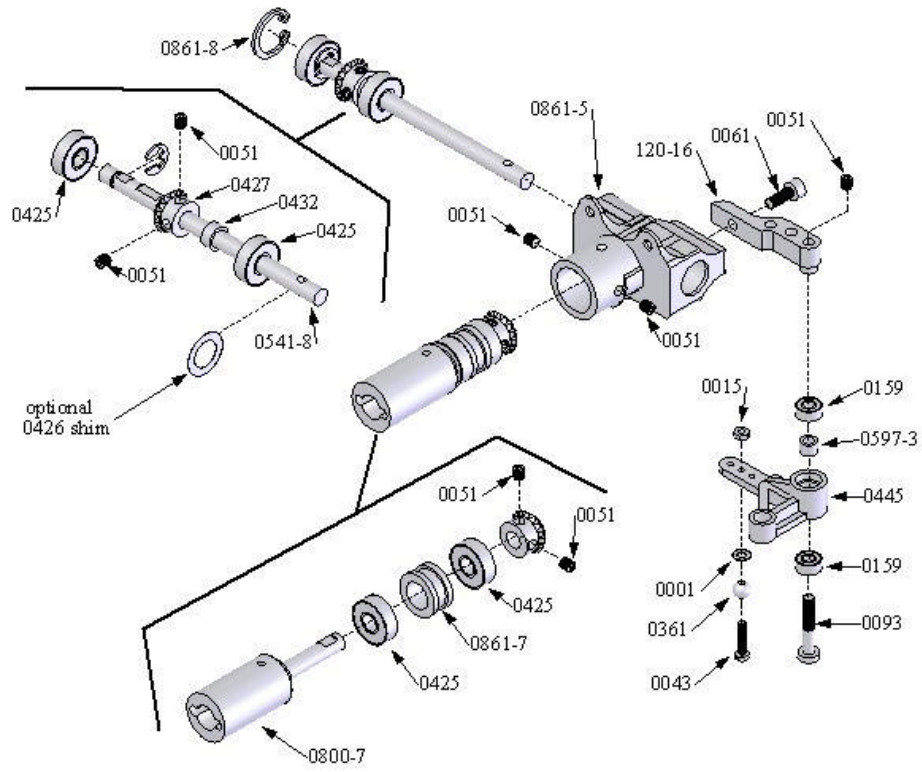
Drawing #8A-1



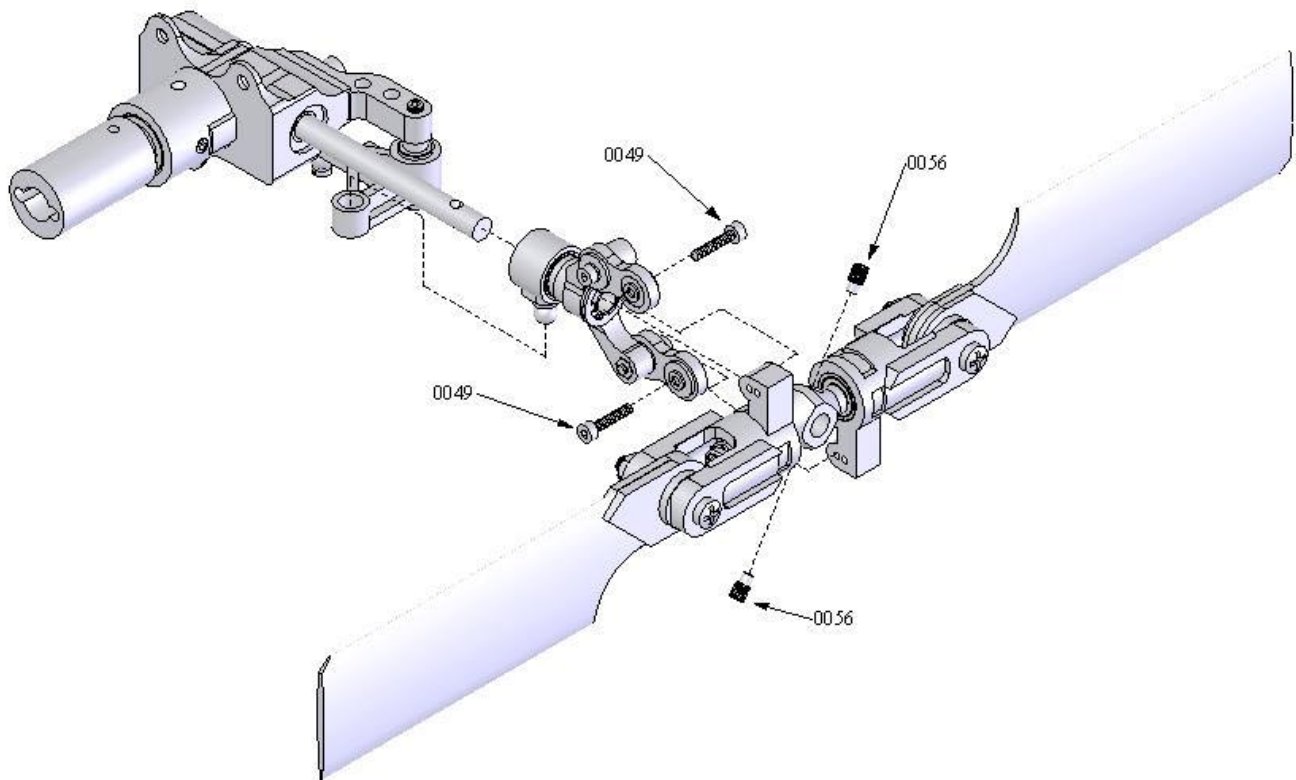
Drawing #8A-2



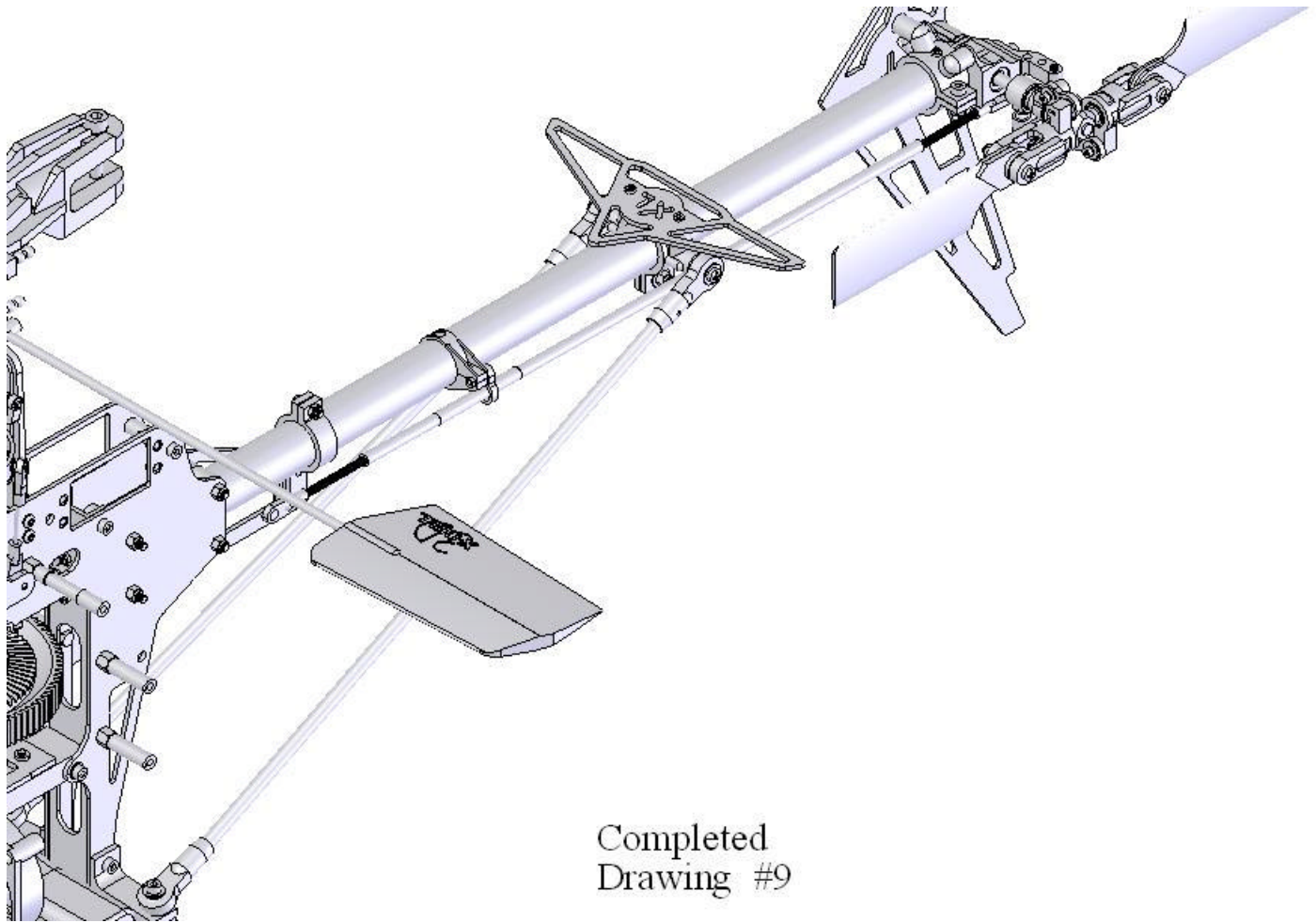
Drawing #8-B



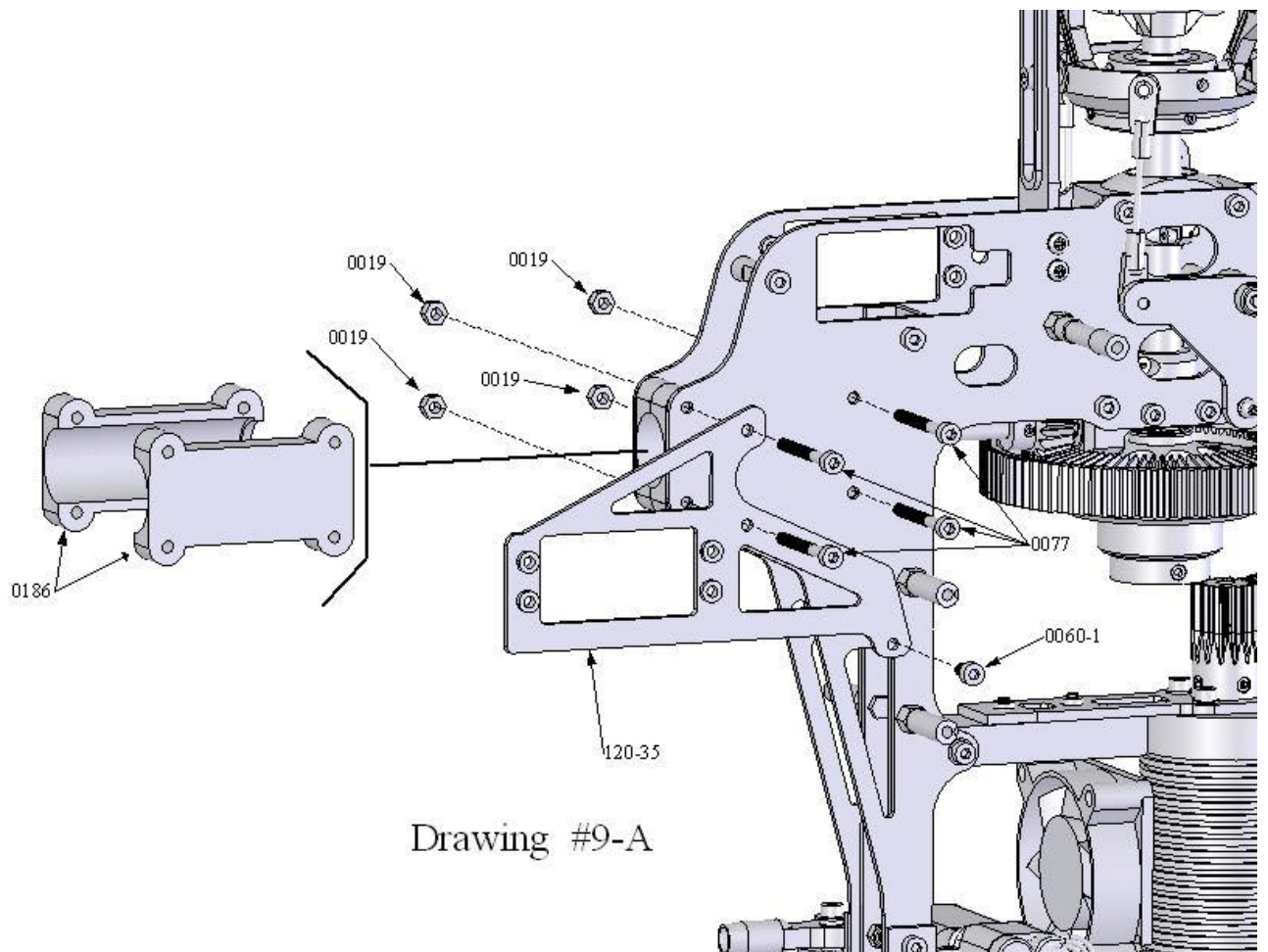
Drawing #8C-1



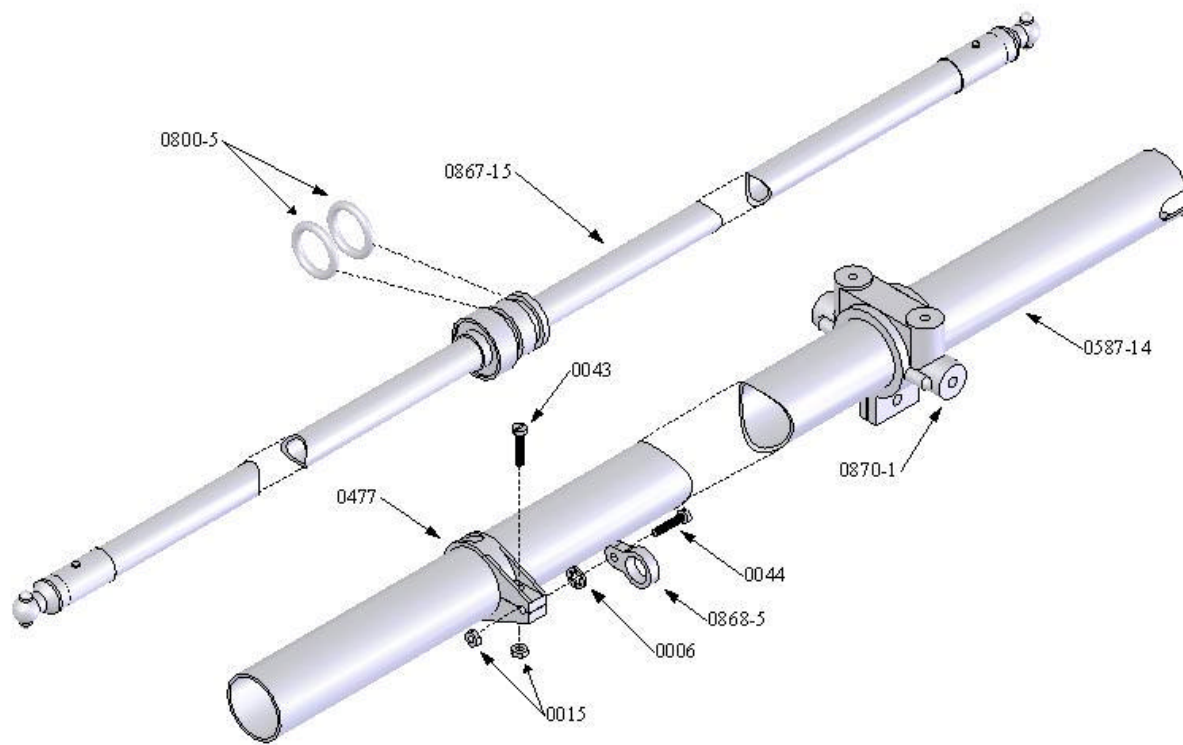
Drawing #8C-2



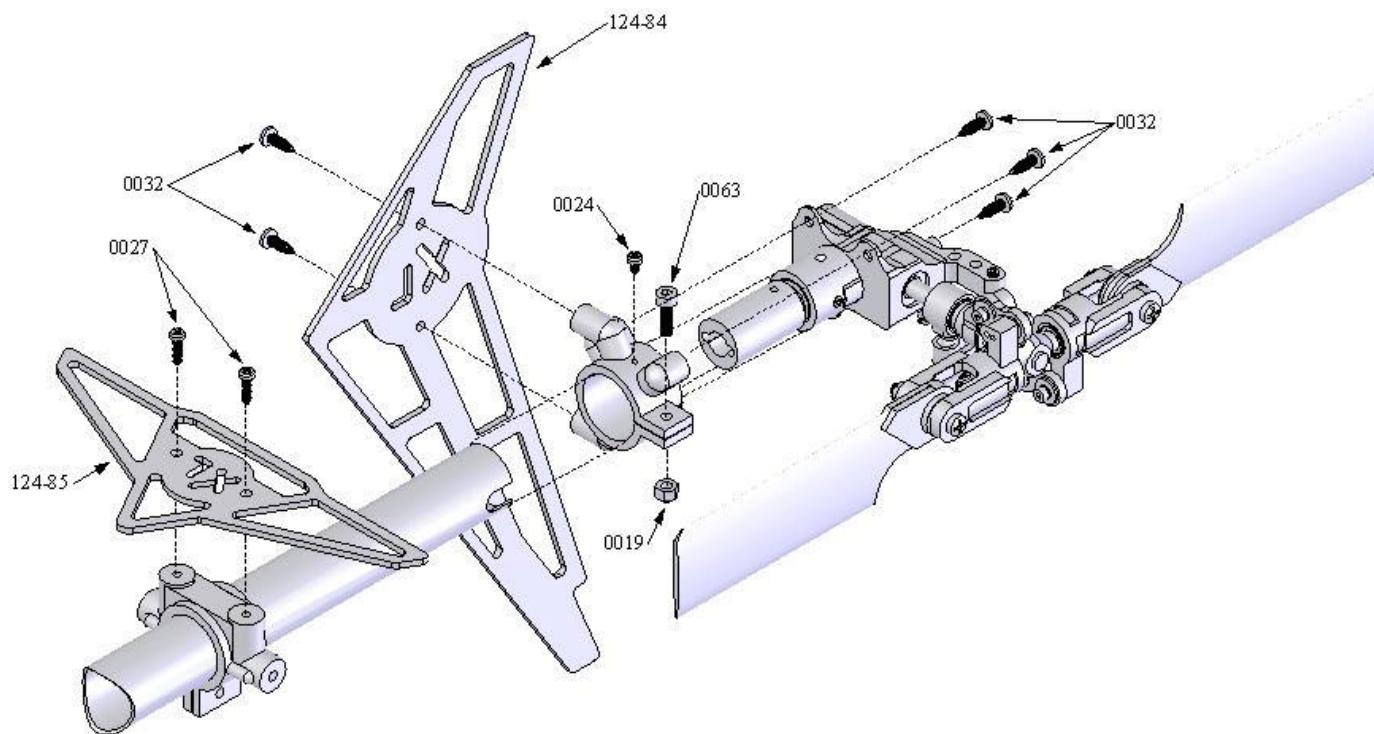
Completed
Drawing #9



Drawing #9-A

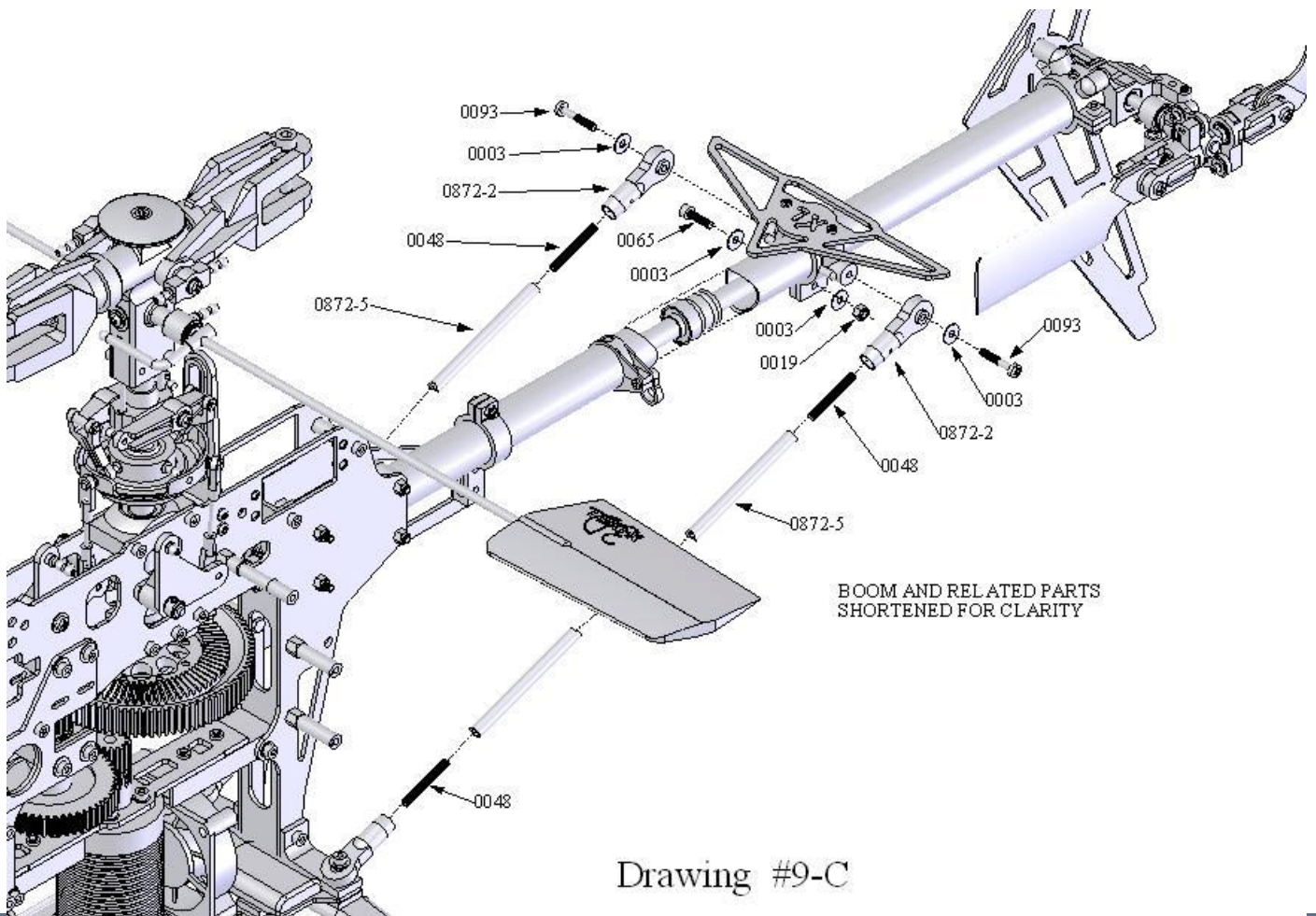
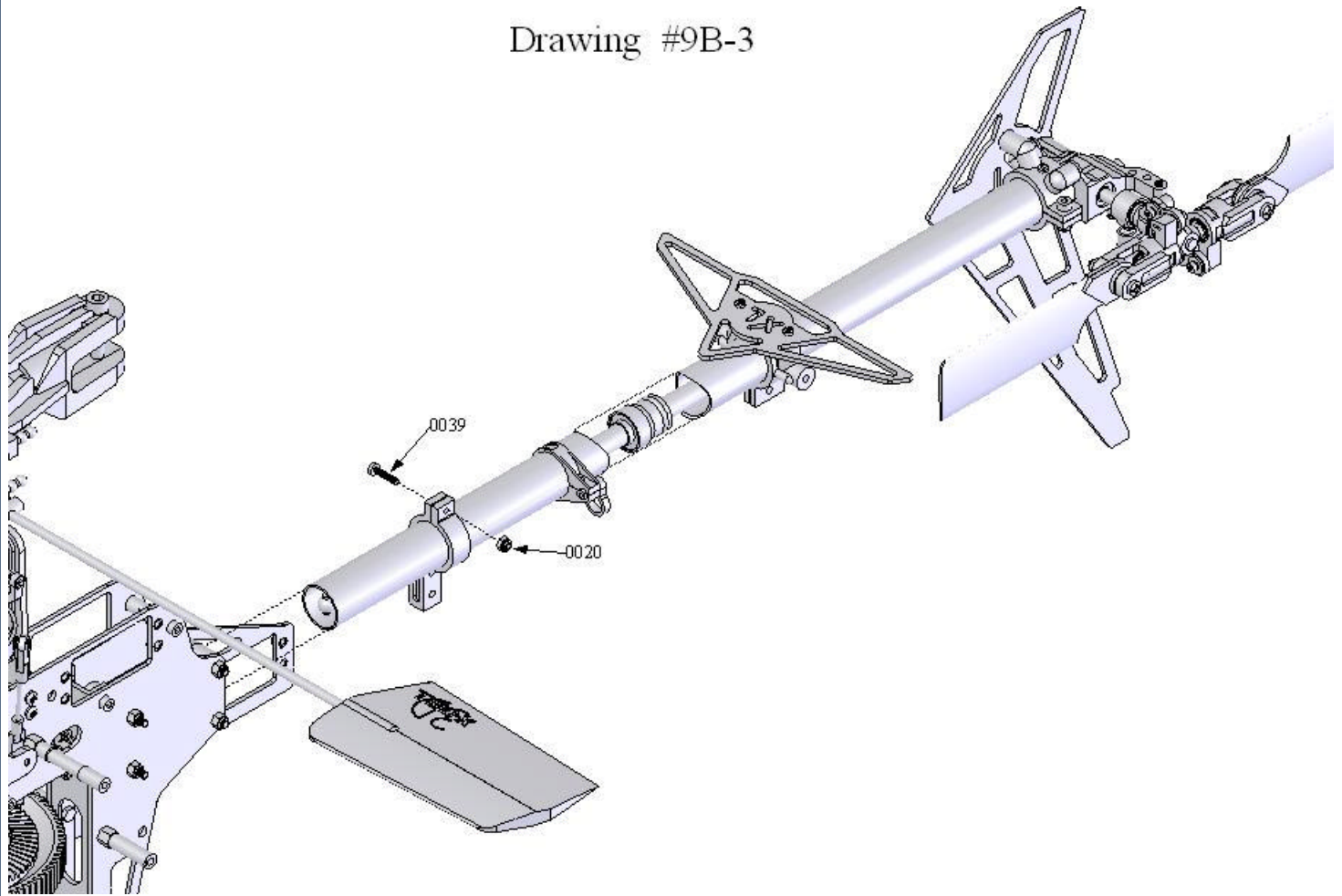


Drawing #9B-1

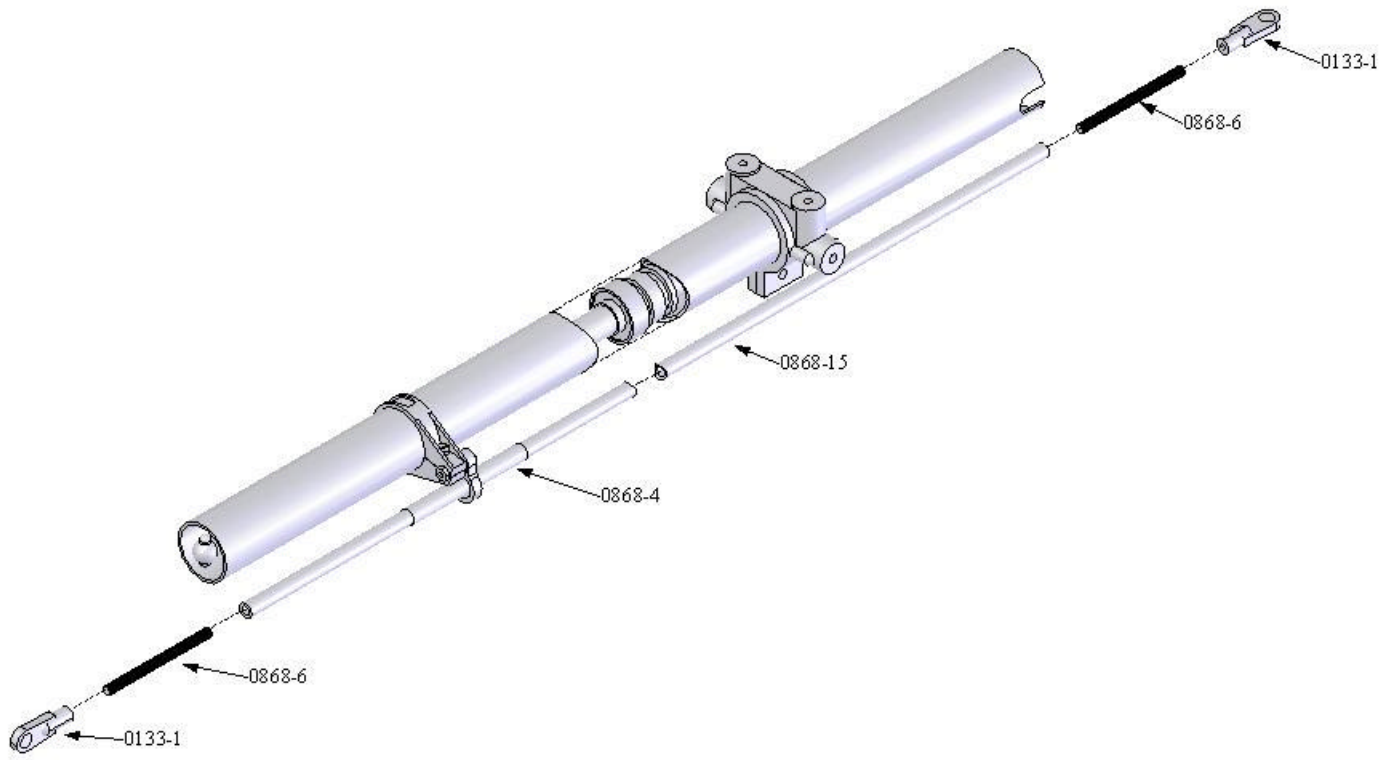


Drawing #9B-2

Drawing #9B-3

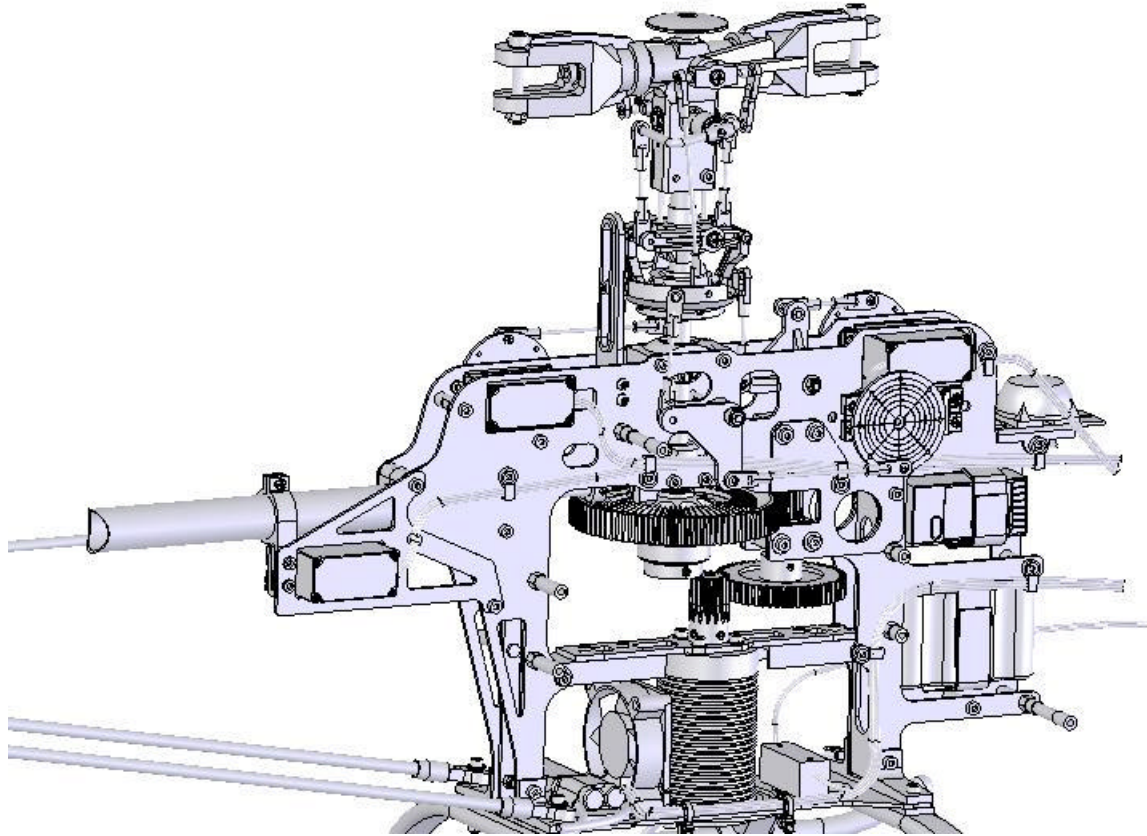


Drawing #9-C

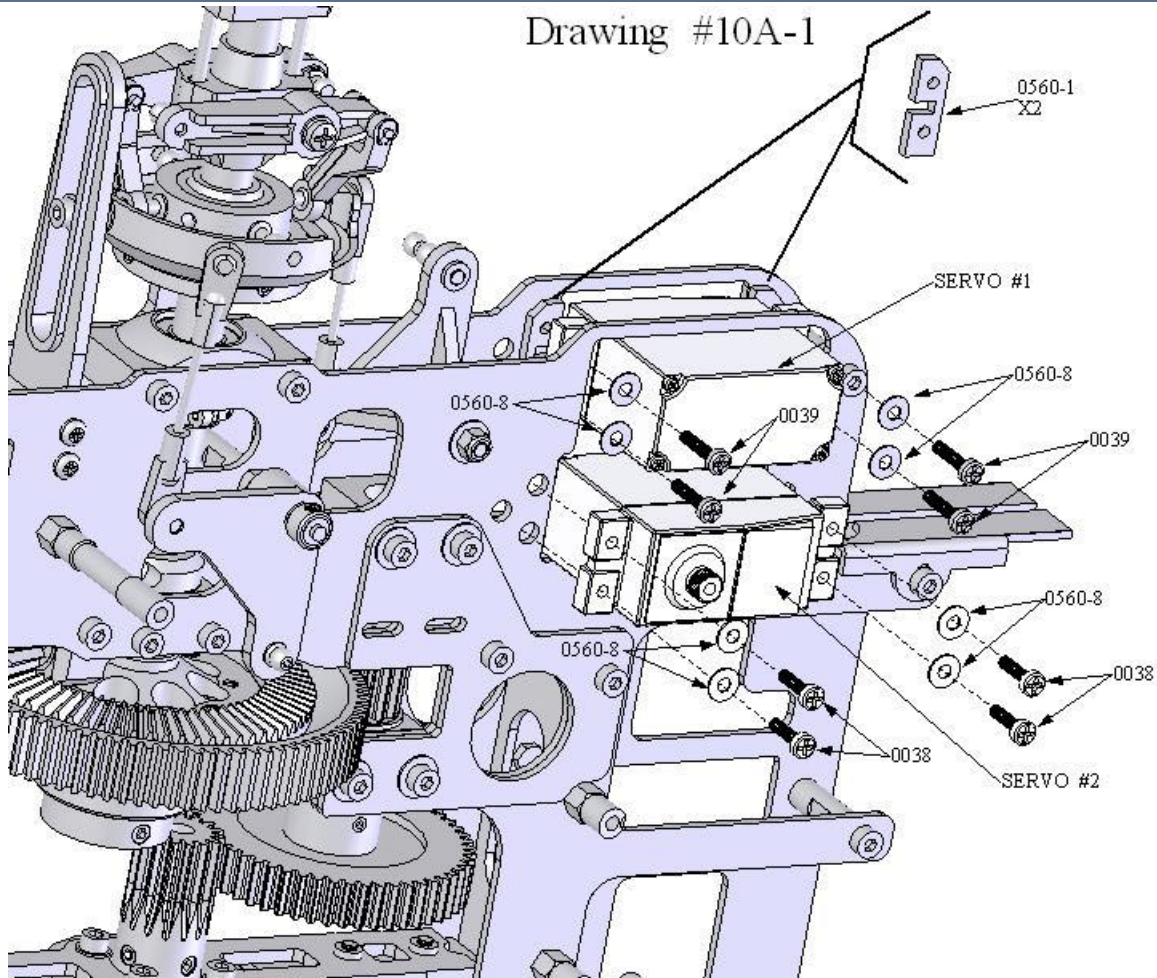


Drawing #9-D

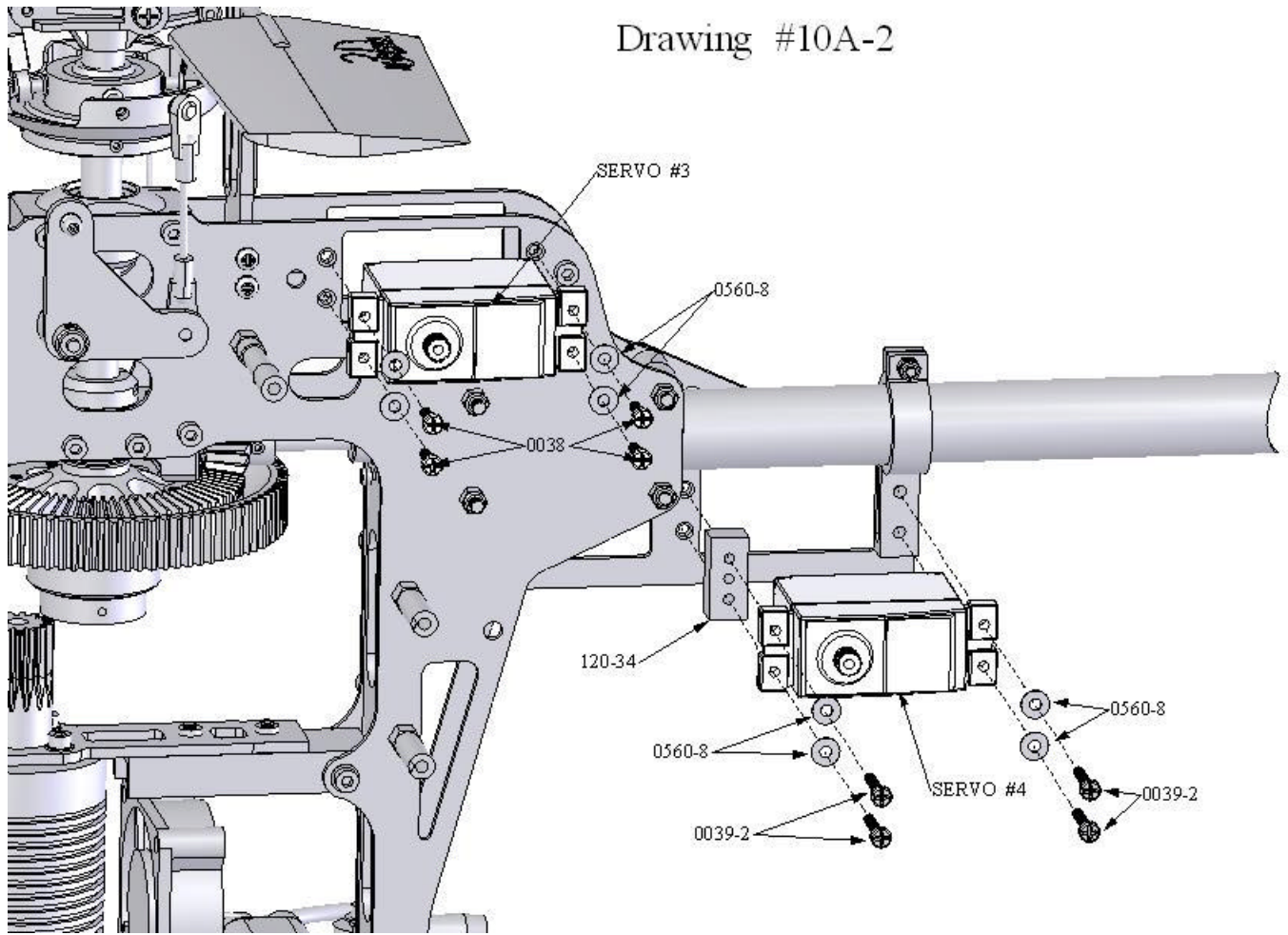
Completed
Drawing #10



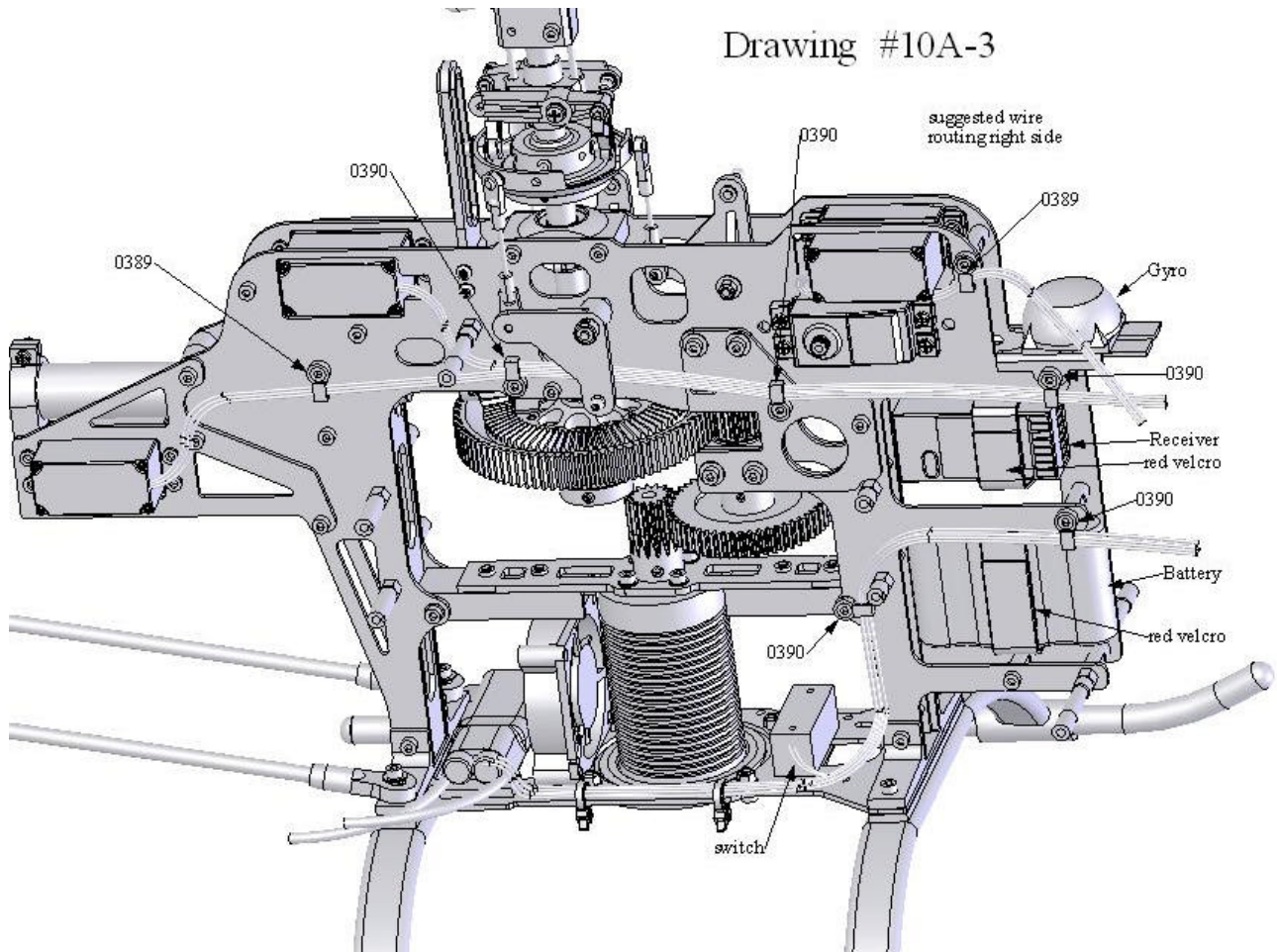
Drawing #10A-1



Drawing #10A-2

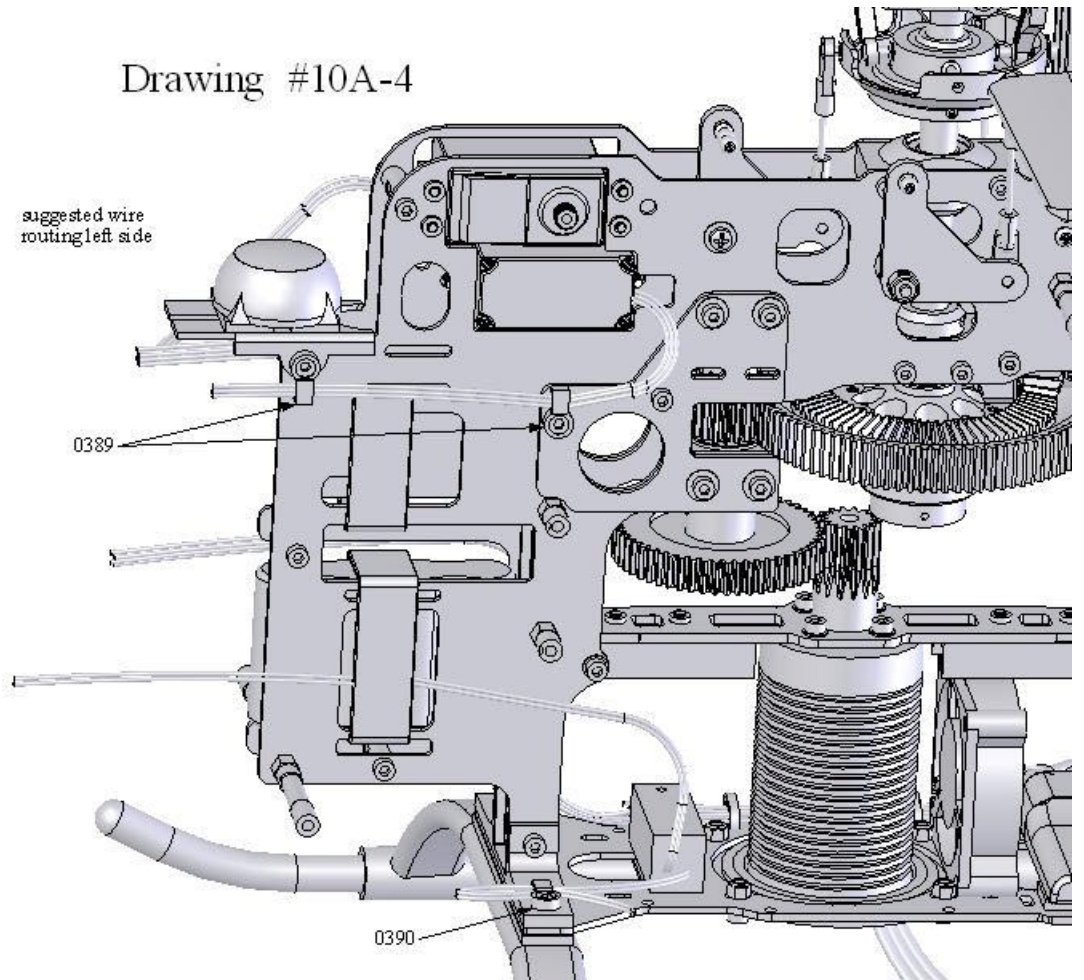


Drawing #10A-3



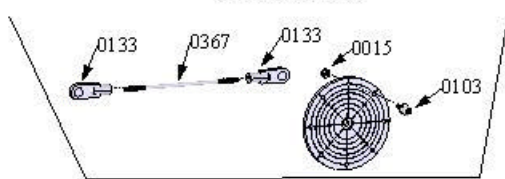
Drawing #10A-4

suggested wire
routing left side

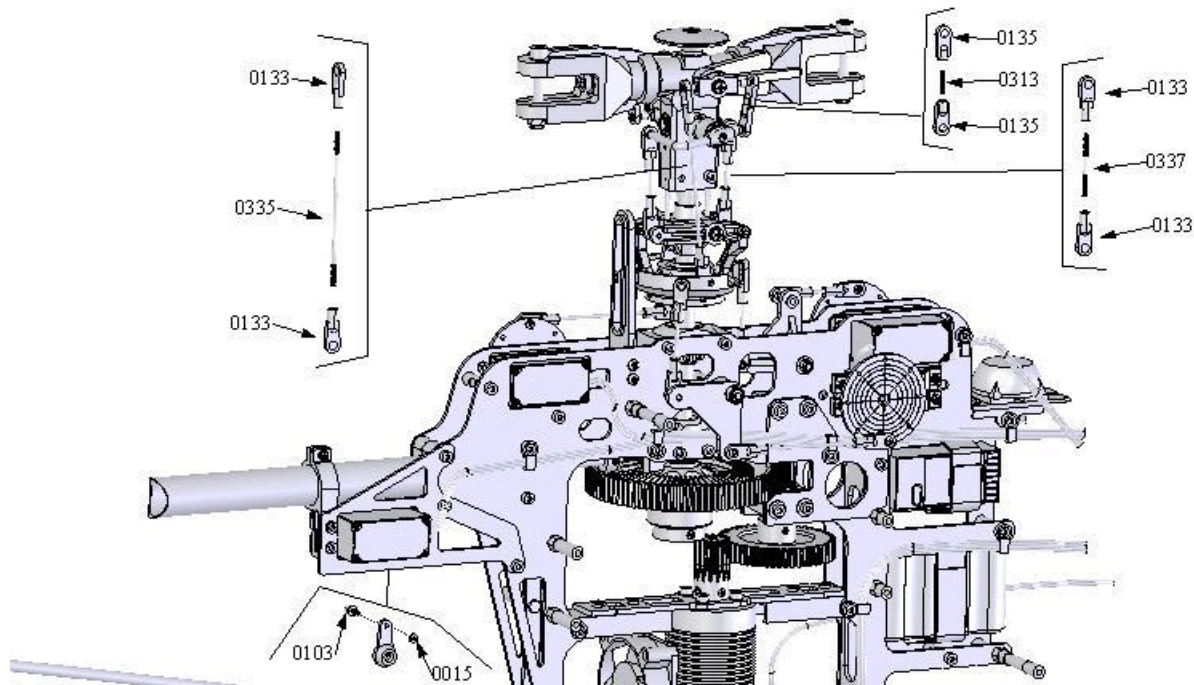
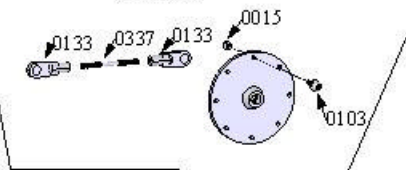


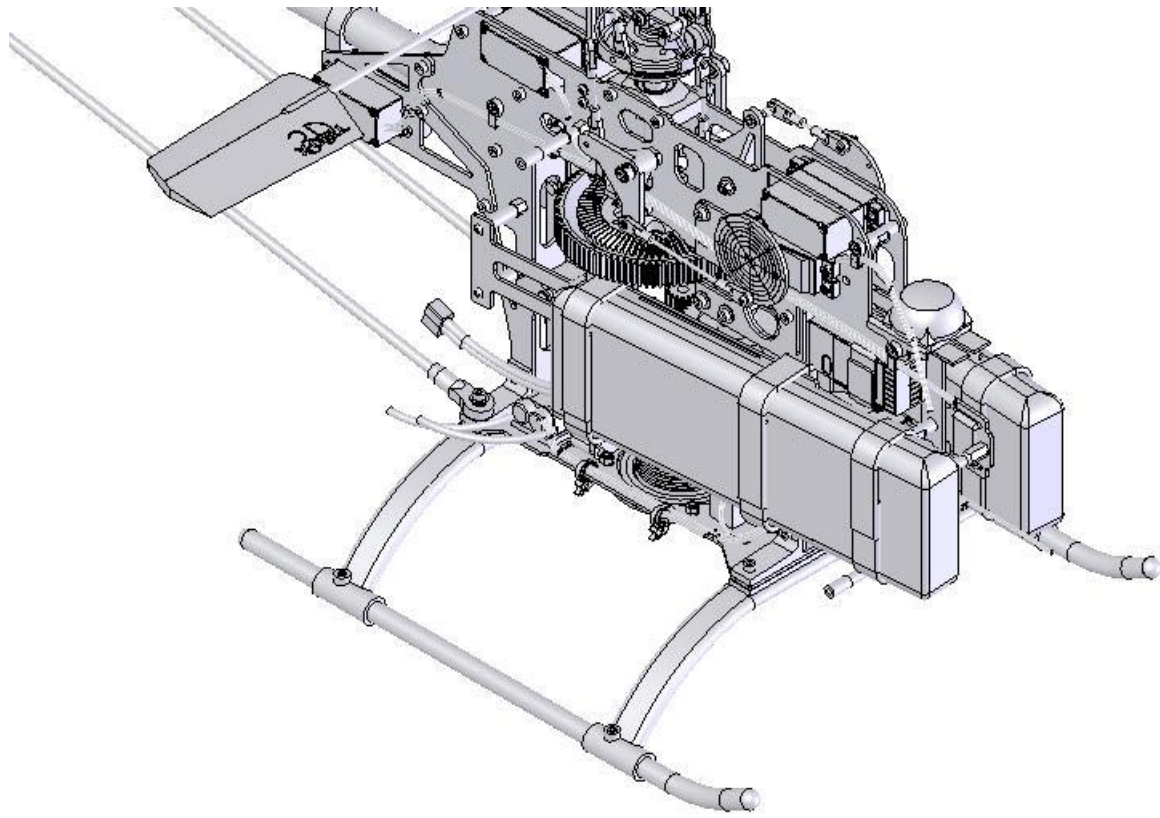
Drawing #10-B

Servos #2 and #3

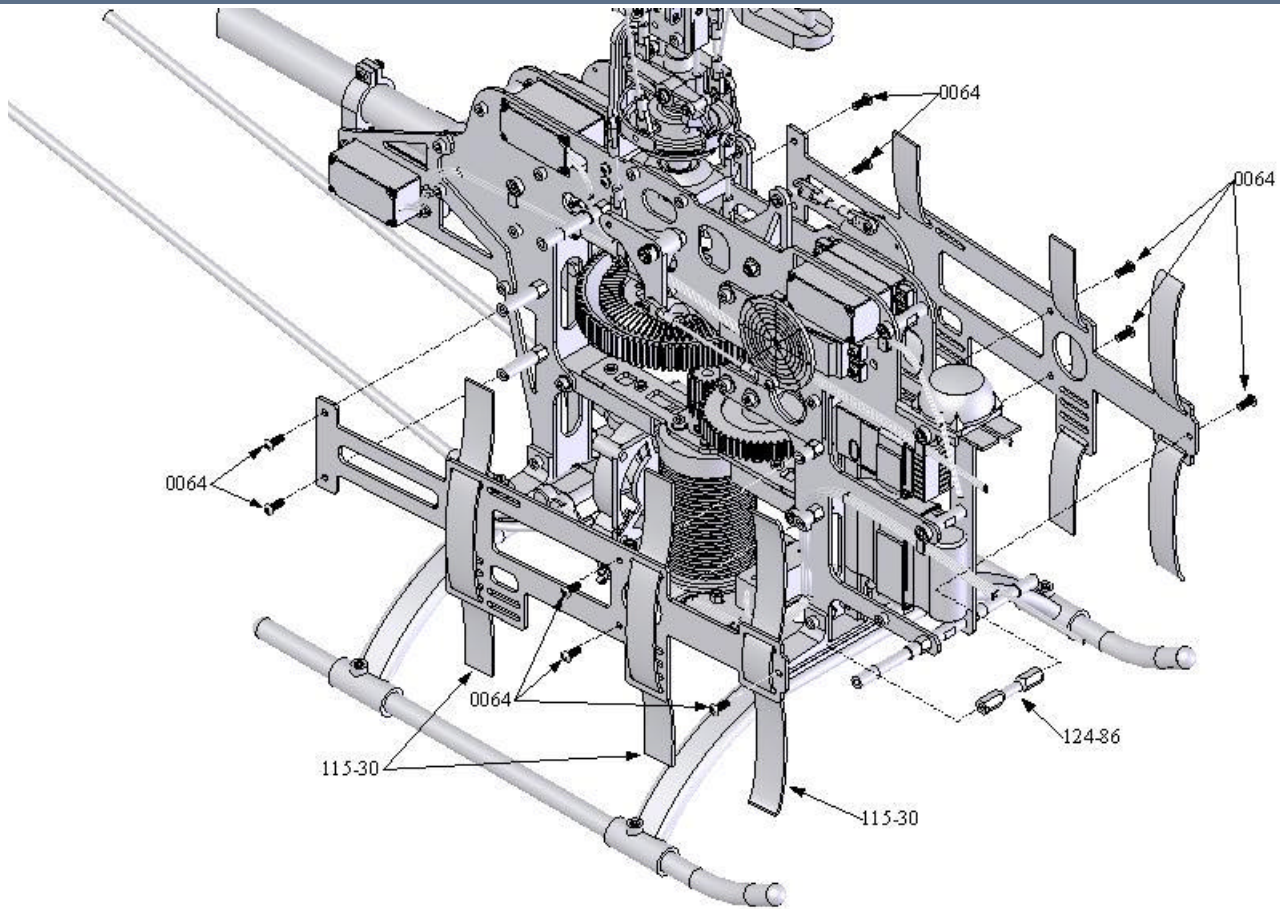


Servo #1

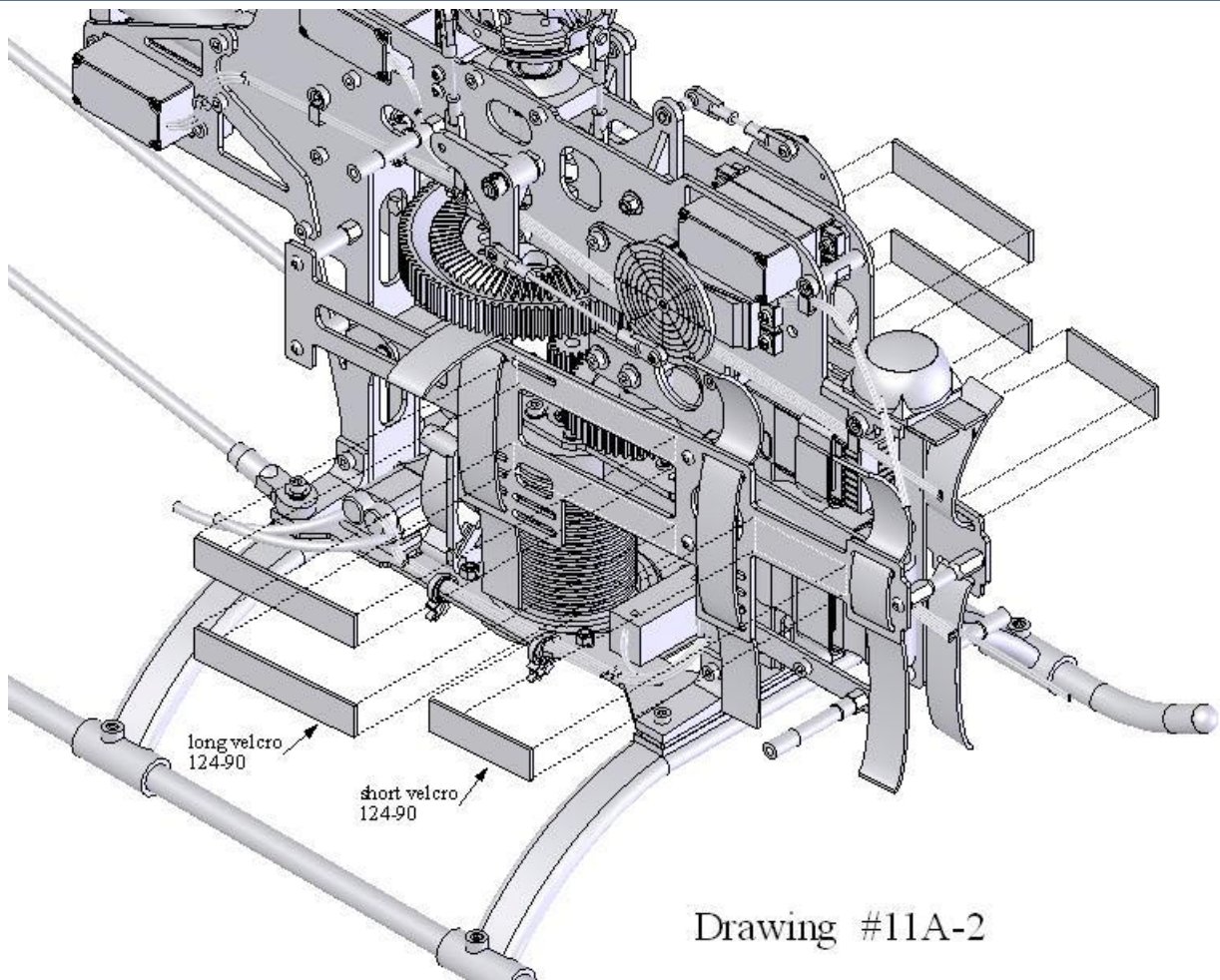




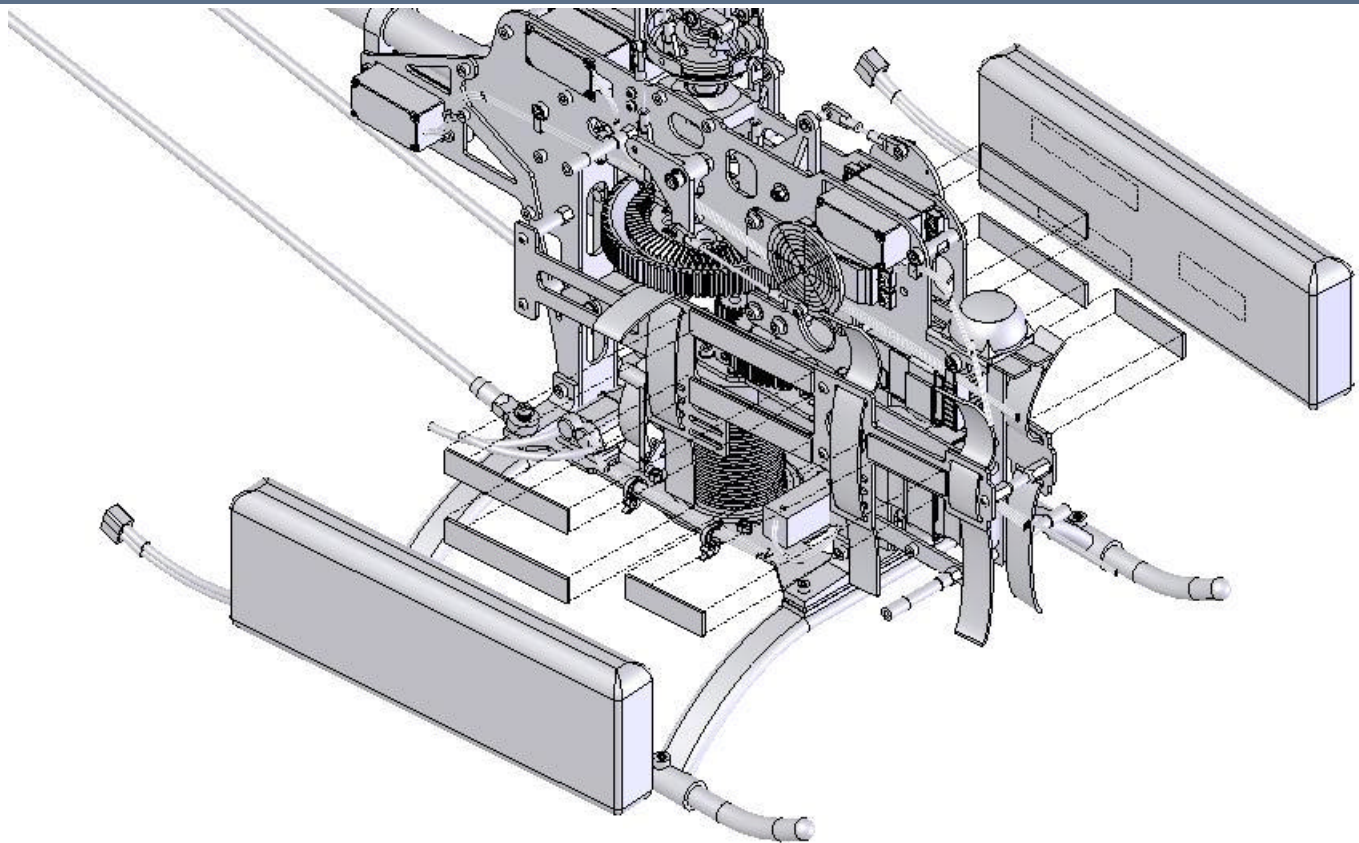
Completed
Drawing #11



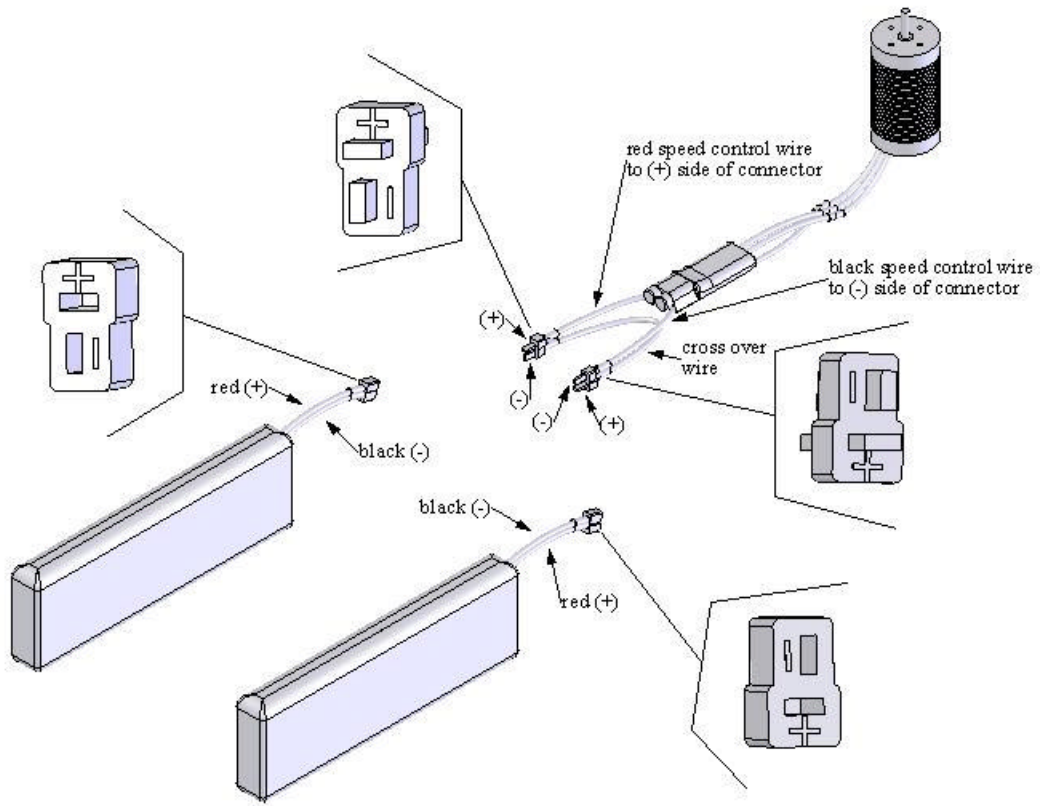
Drawing #11A-1



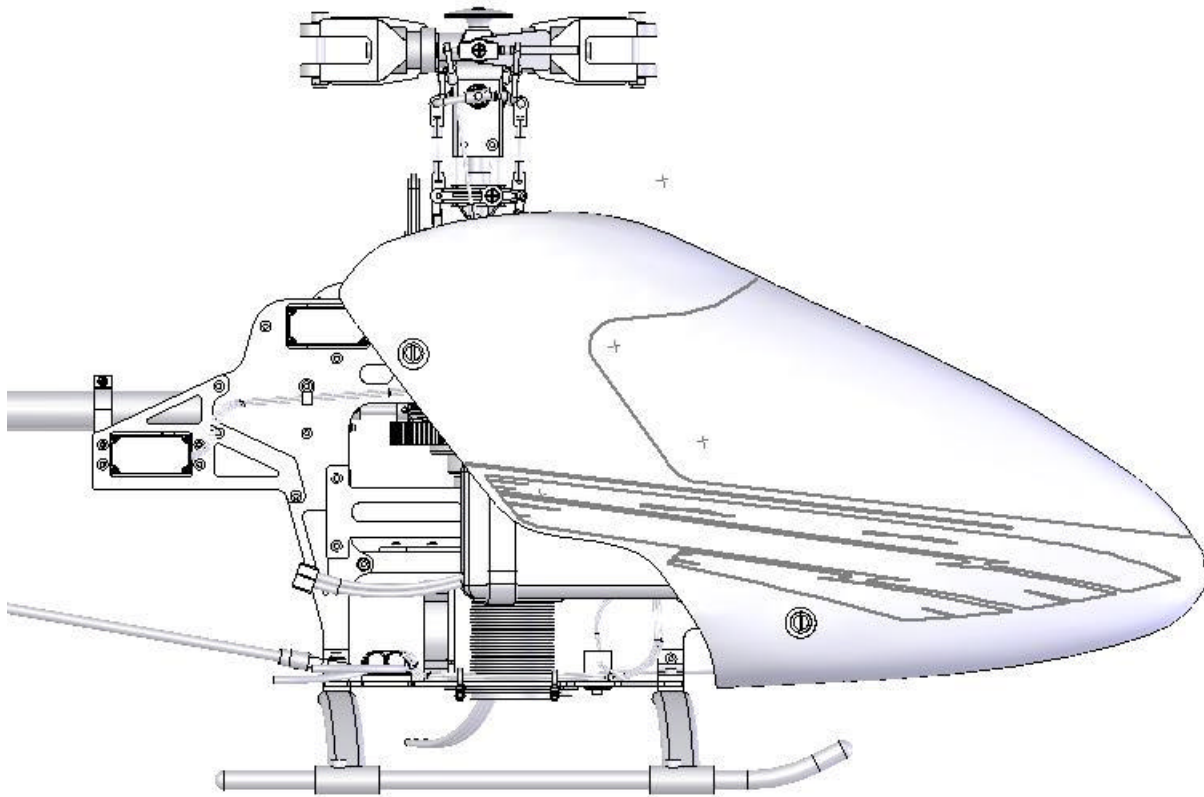
Drawing #11A-2



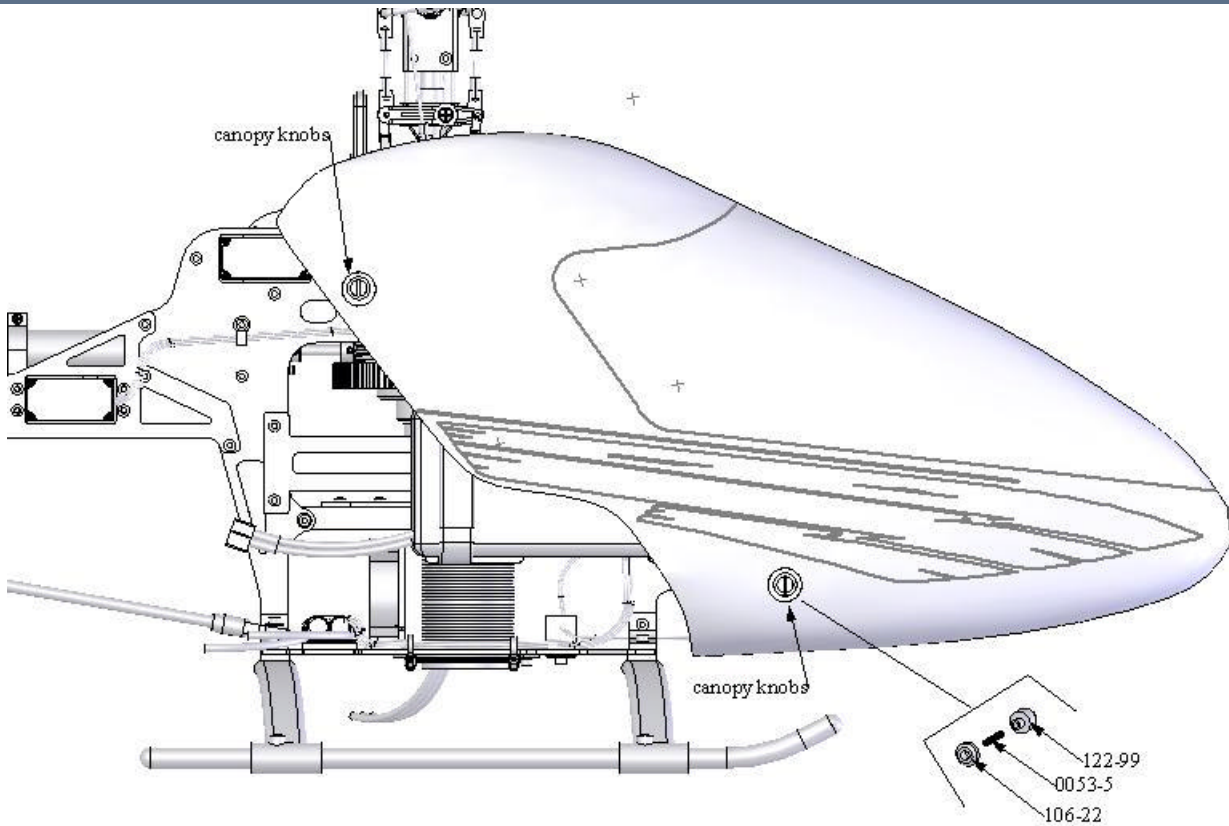
Drawing #11A-3



Drawing #11-B
wiring diagram



Completed
Drawing #12



Drawing #12-A