

AirScoot™ Hobby Model Parts Manual

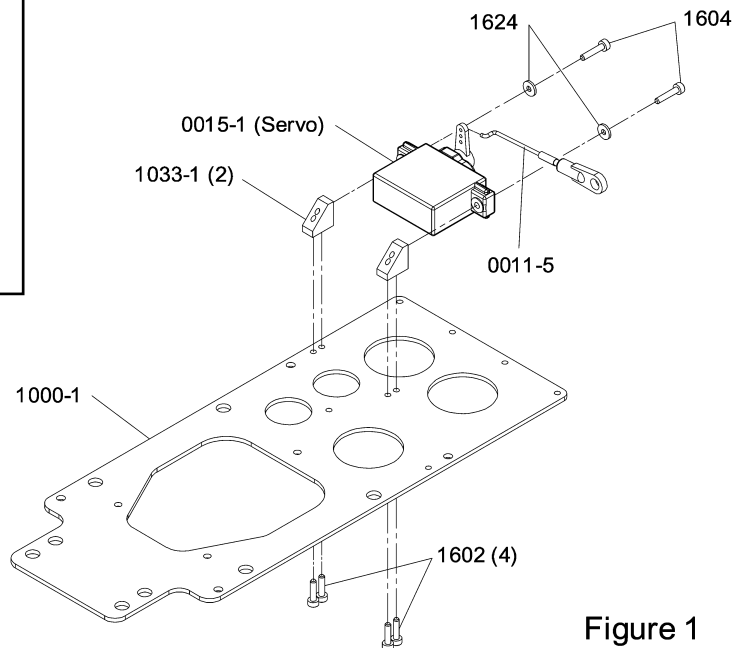
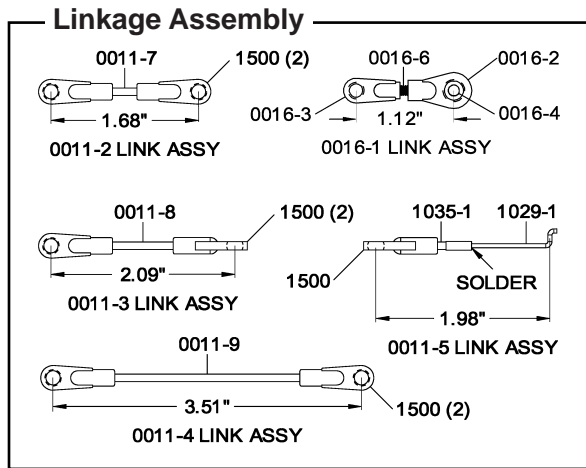
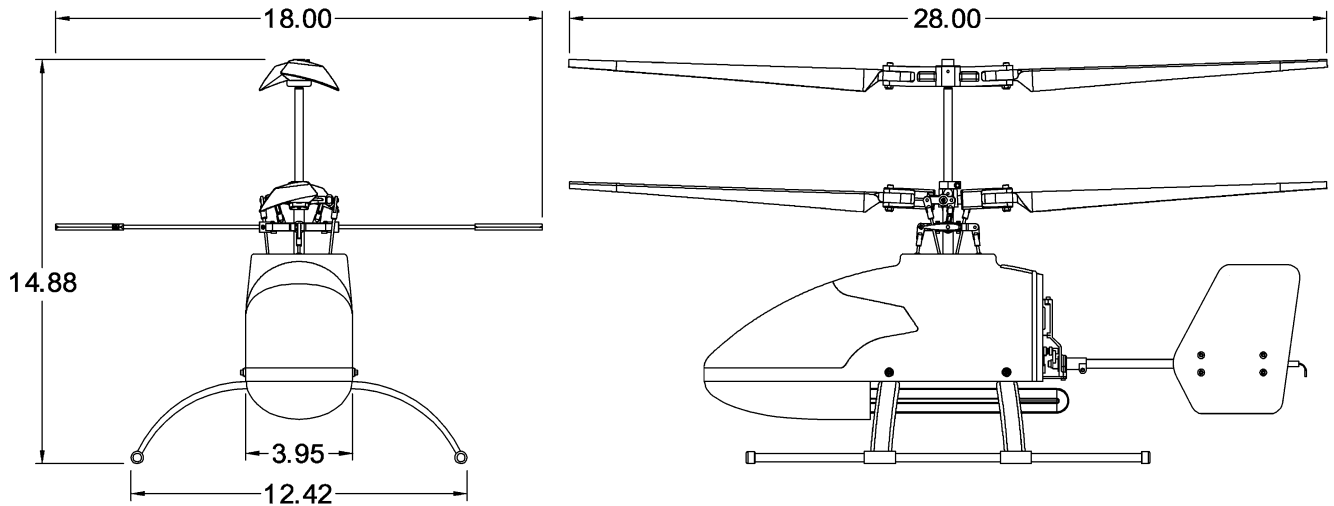


Figure 1

All information provided in this manual is subject to change without notice. AirScooter Corporation shall not be liable for errors herein or for consequential damages in connection with the furnishing, performance or use of this material. U.S./INTERNATIONAL PATENTS PENDING.
© AirScooter Corporation 2002. All Rights Reserved.

AirScoot™ Hobby Model Parts Manual

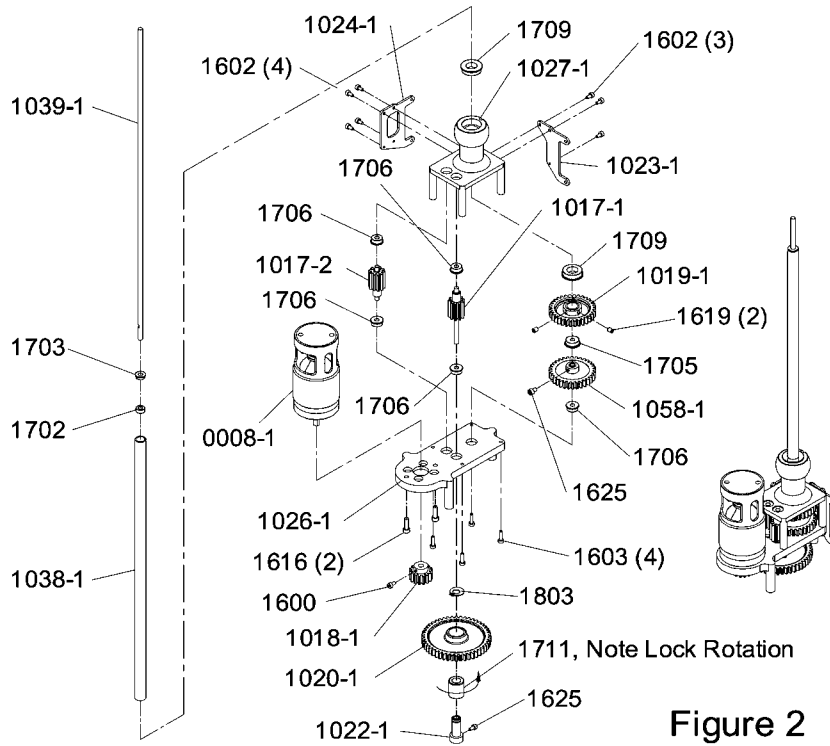


Figure 2

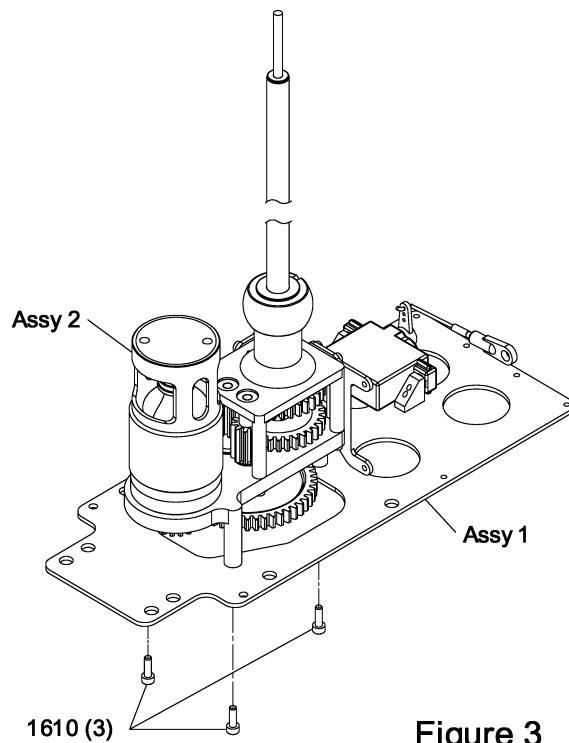


Figure 3

AirScout™ Hobby Model Parts Manual

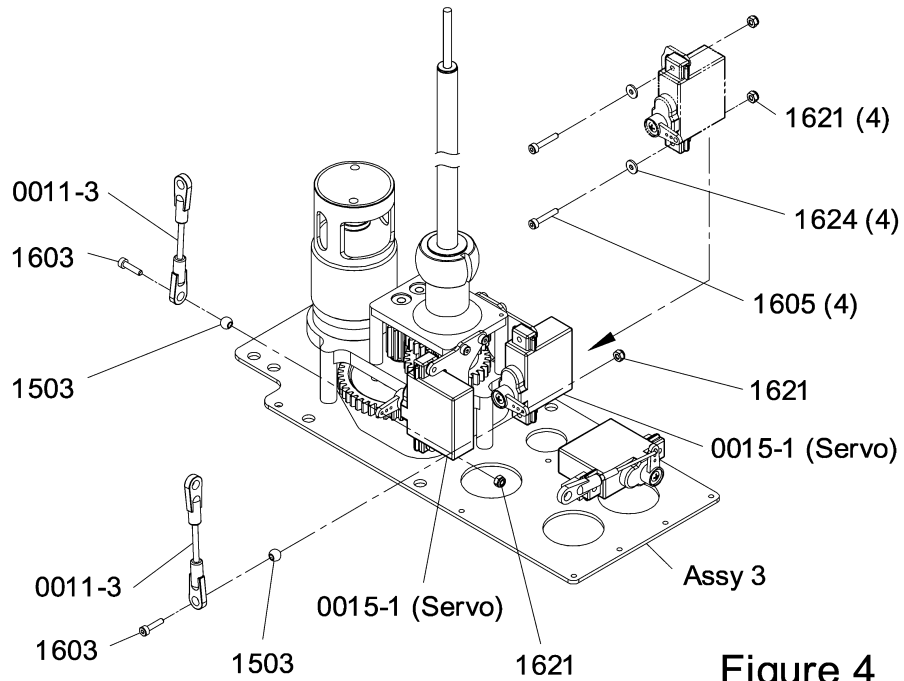


Figure 4

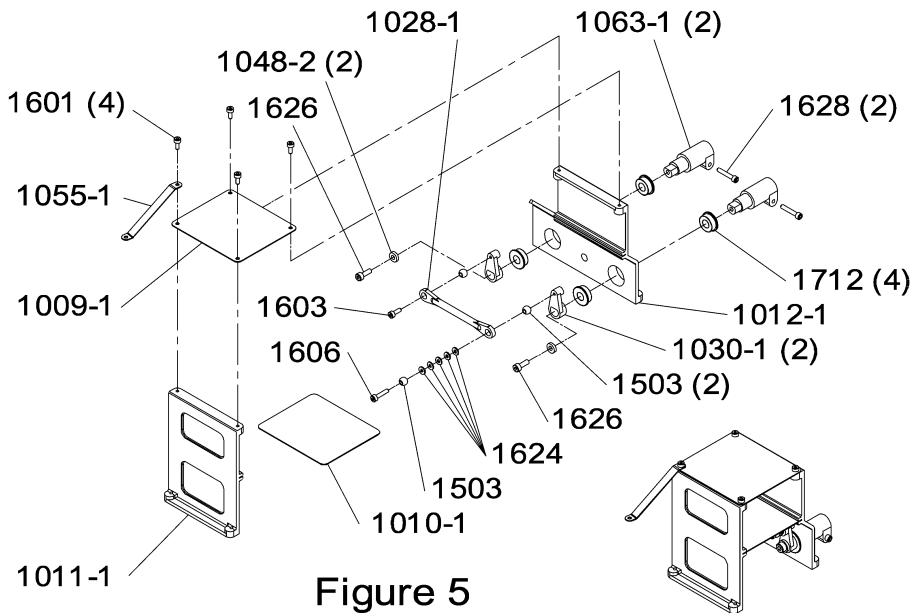


Figure 5

AirScoot™ Hobby Model Parts Manual

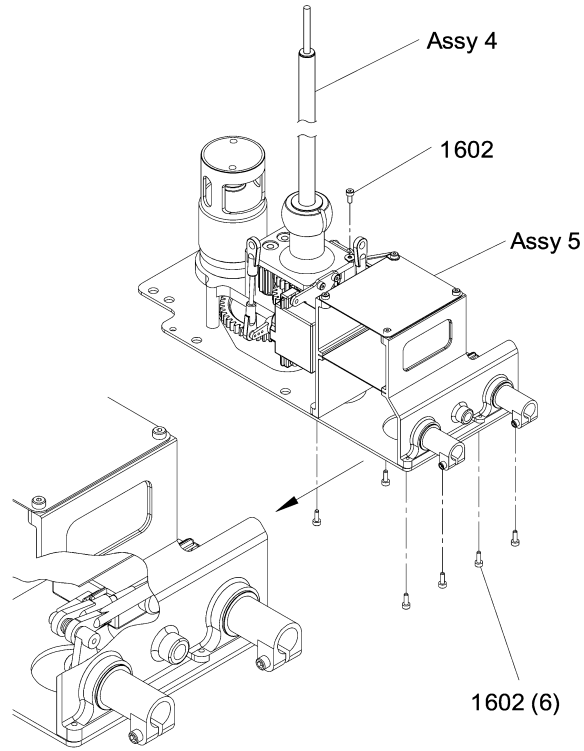


Figure 6

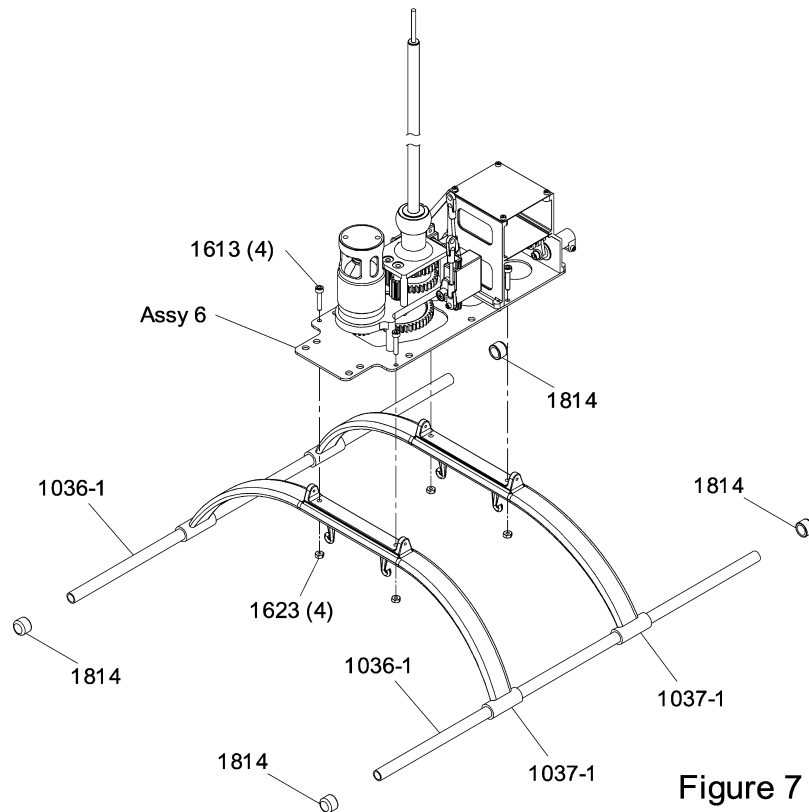


Figure 7

AirScout™ Hobby Model Parts Manual

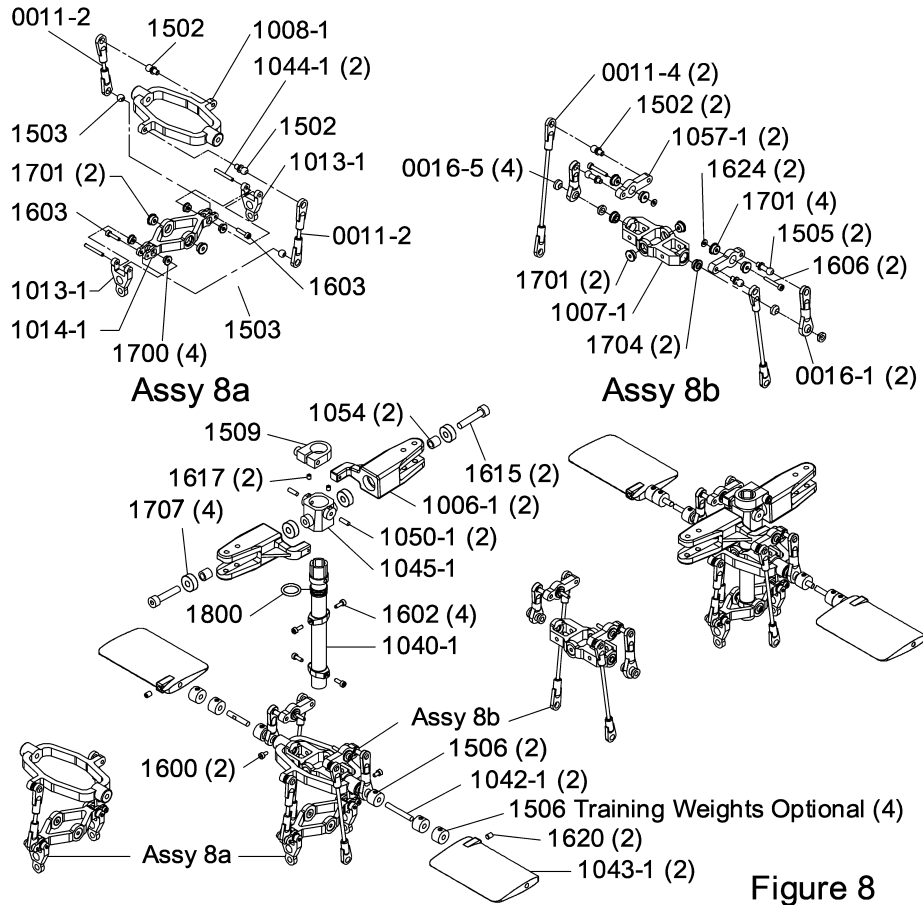


Figure 8

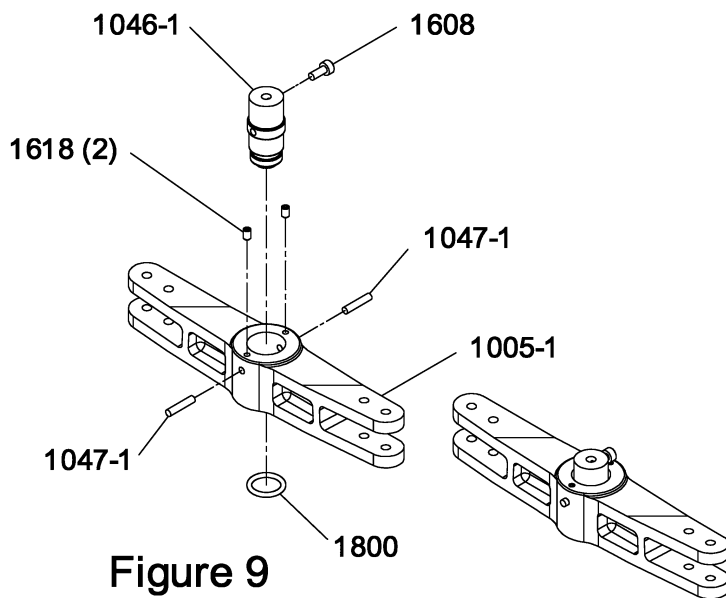


Figure 9

AirScoot™ Hobby Model Parts Manual

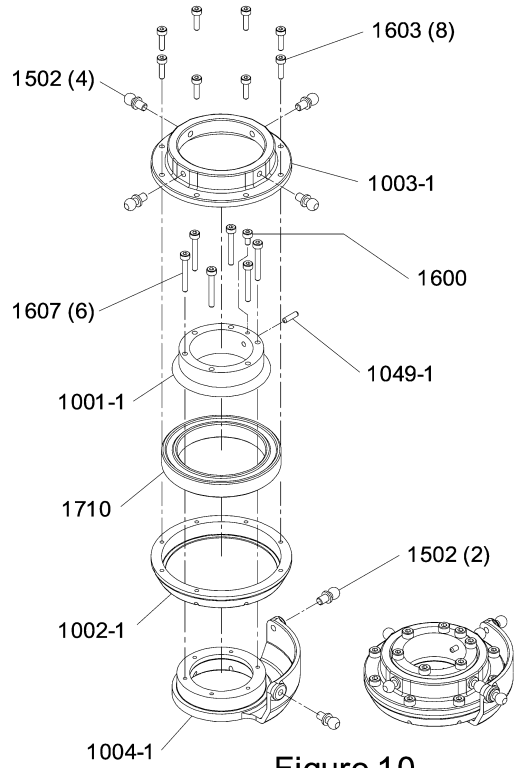


Figure 10

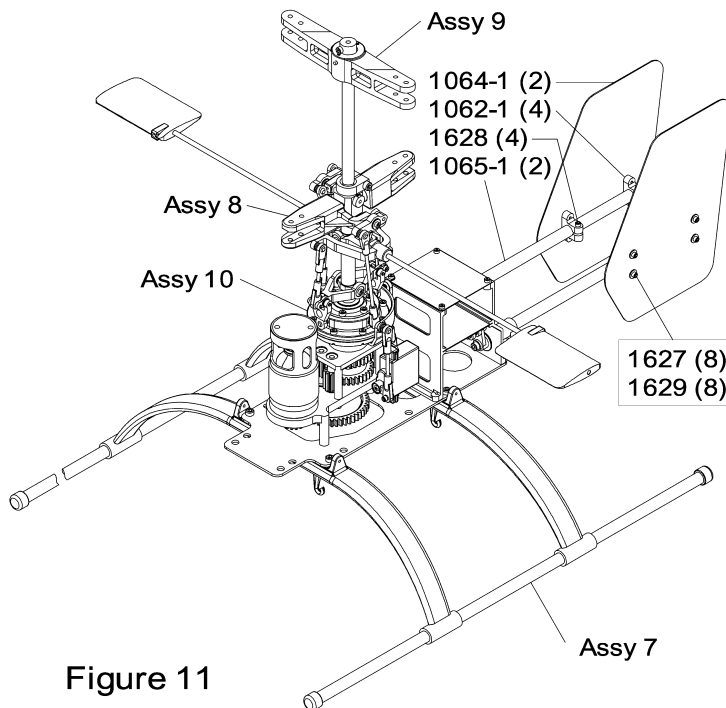


Figure 11

AirScoot™ Hobby Model Parts Manual

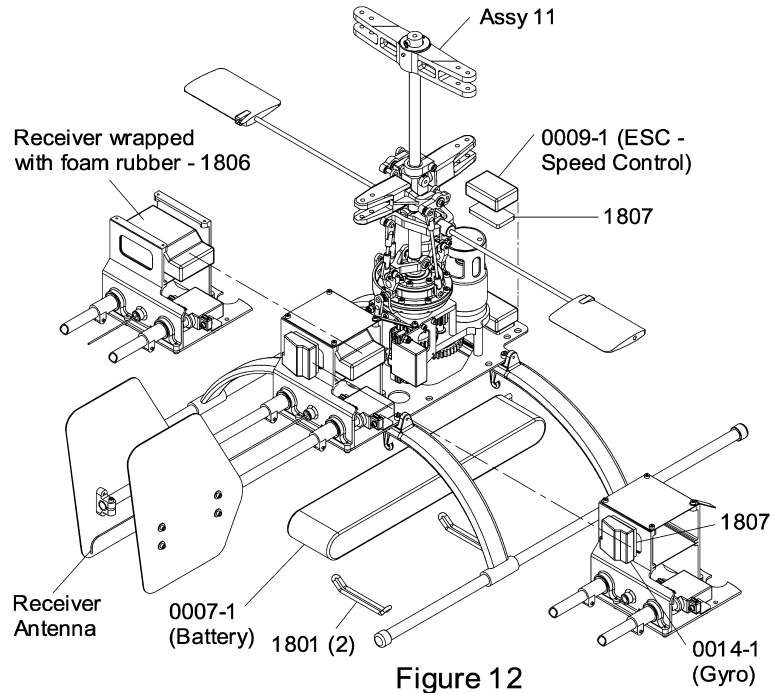


Figure 12

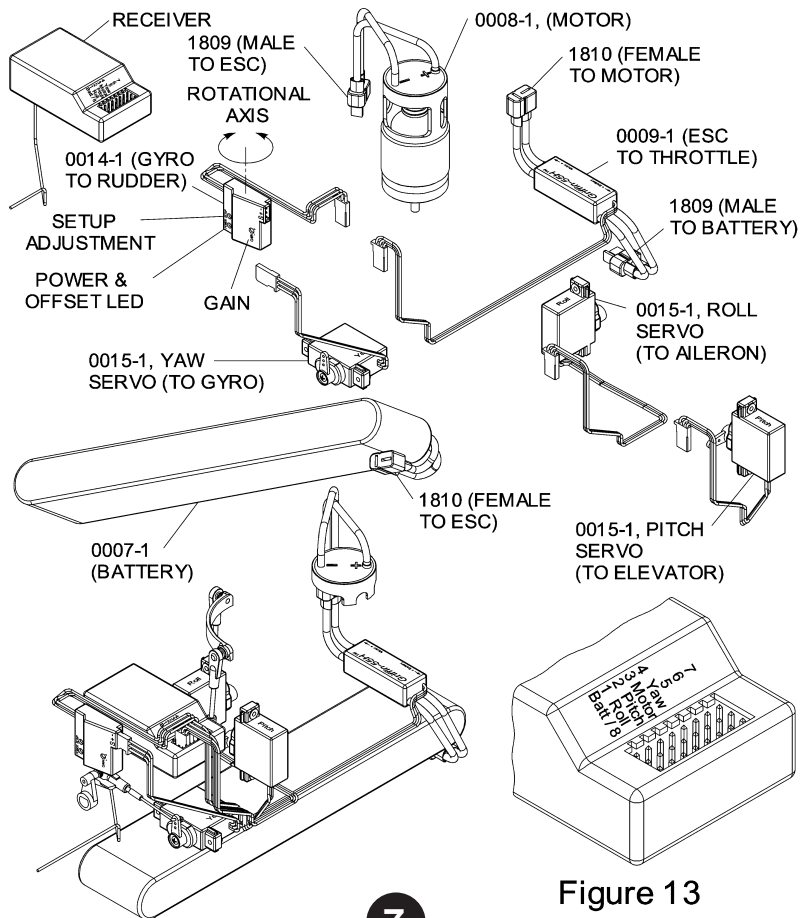


Figure 13

AirScoot™ Hobby Model Parts Manual

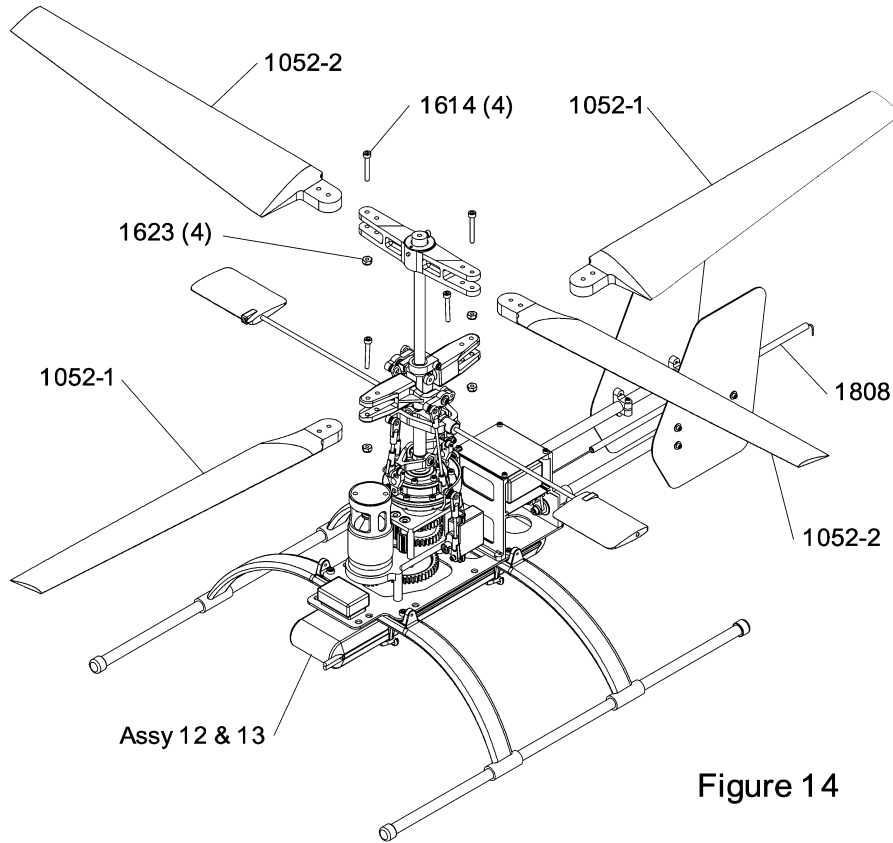


Figure 14

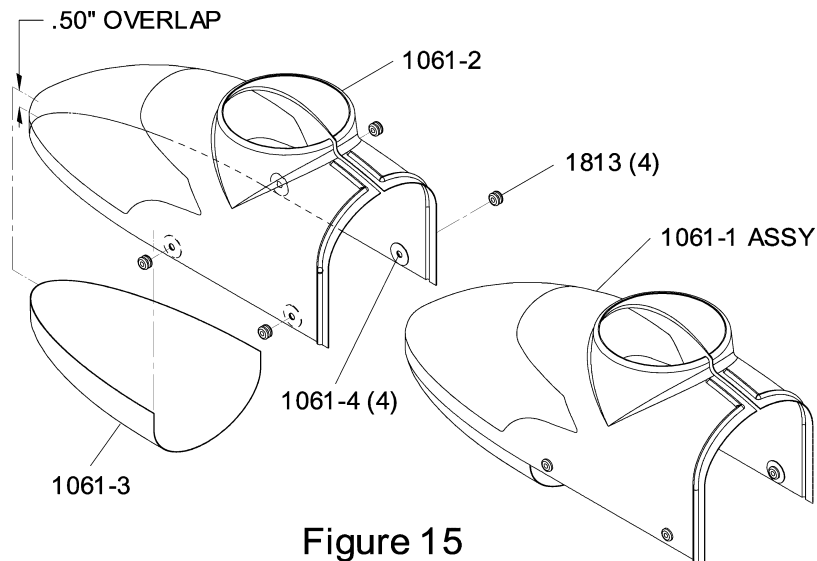


Figure 15

AirScoot™ Hobby Model Parts Manual

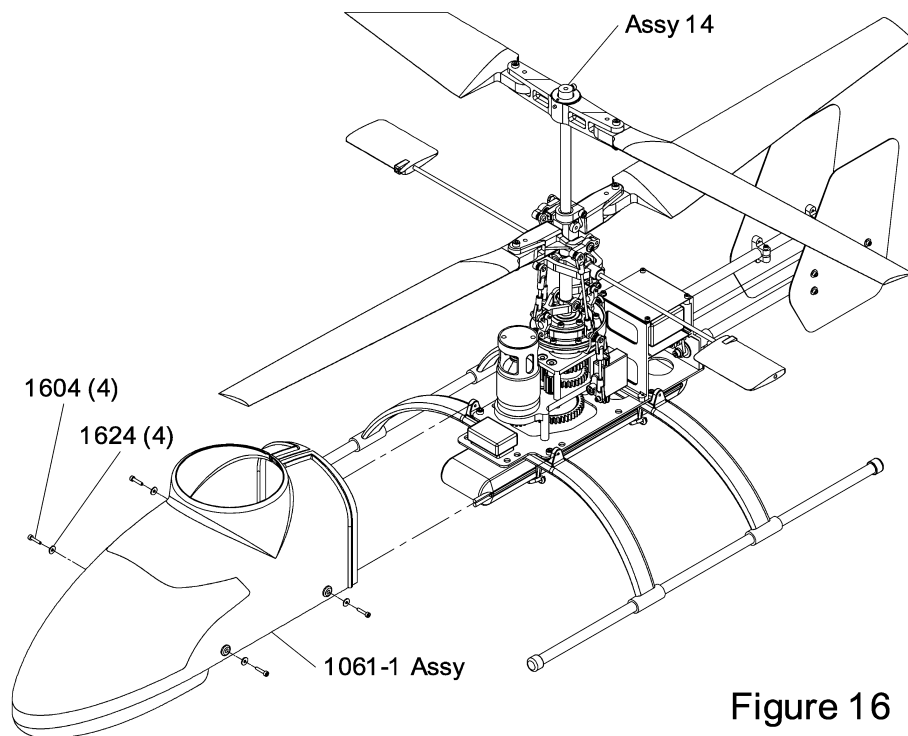


Figure 16

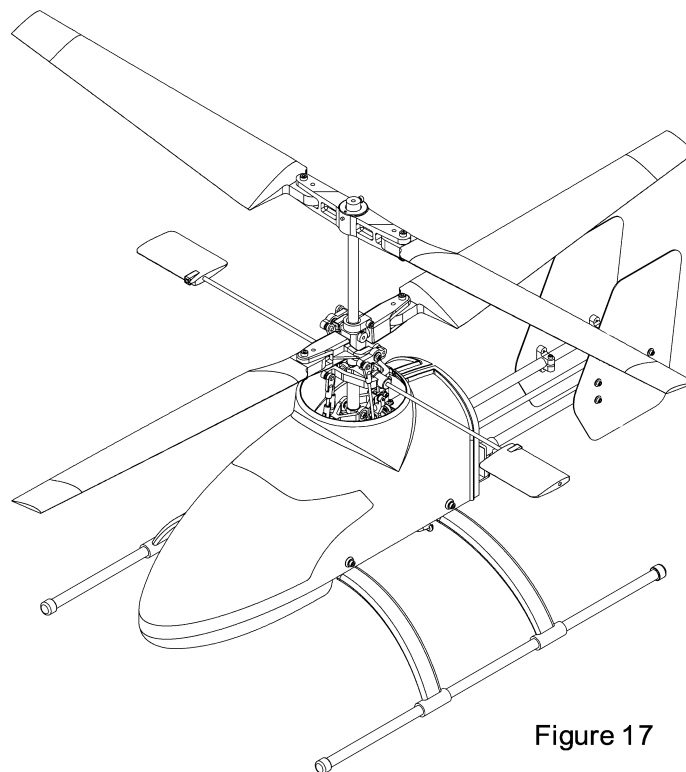


Figure 17

AirScoot™ Hobby Model Parts Pricing

Replacement Parts Ordering for your AirScoot Hobby Model is simple. Parts orders can be made on-line at www.airscoot.com (follow the link to the AirScooter On-line Store) or by fax. For fax ordering, complete the following steps and fax to 702.566.2411.

1. Fill out the Customer and Payment Information Below (please print).
2. Indicate the quantity and total price for every part needed on the next three pages.
3. Calculate your Grand Total at the bottom of Page 12.
4. Fax all pages of this form to AirScooter at 702.566.2411.

Name (as it appears on your credit card): _____

Billing Address: _____

City: _____ State: _____ Zip: _____

Phone #: _____

Fax #: _____

Email: _____

Credit Card Type (Circle One) **VISA MC AE DISCOVER**

Credit Card Number: _____ Exp: _____

Shipping Information (if different from Billing)

Name: _____

Address: _____

City: _____ State: _____ Zip: _____

Phone #: _____

Note: All Replacement Parts orders for less than \$100 will ship Priority Mail for \$14.95, all orders over \$100 will ship UPS Ground for \$24.95.

Part #	Description	Price Ea.	Qty.	Total
0007-1	2400 Ma 10 Cell Rapid Charge Battery Assy with Female Connector	\$ 81.00		
0008-1	7 Turn #20 AWG Colbalt Motor with Male connector	\$ 109.55		
0009-1	55 Amp Speed Controller with BEC	\$ 66.00		
0011-6	#2-56 x .40" Long Threaded Rod	\$ 1.73		
0011-7	#2-56 x 1.12" Long Threaded Rod	\$ 1.73		
0011-8	#2-56 x .1.53" Long Threaded Rod	\$ 1.73		
0011-9	#2-56 x 2.95" Long Threaded Rod	\$ 1.73		
0014-1	Piezo Gyro with Connectors	\$ 56.25		
0015-1	AS-12MG Metal Gear Servo	\$ 30.00		
0016-1	Link Assembly (Complete)	\$ 12.00		
1000-1	Base Plate	\$ 14.33		
1001-1	Upper Stationary Ring	\$ 7.50		
1002-1	Lower Rotating Ring	\$ 7.50		
1003-1	Upper Rotating Ring	\$ 7.50		
1004-1	Lower Stationary Ring	\$ 7.50		
1005-1	Rotor Hub	\$ 9.00		
1006-1	Pitch Housing	\$ 7.50		
1007-1	Bar Gimbal Ring	\$ 7.50		
1008-1	Bar Cyclic Ring	\$ 7.50		
1009-1	Cover Plate - Box	\$ 6.00		
1010-1	Support Plate - Box	\$ 4.50		
1011-1	Support Panel - Box	\$ 6.00		
1012-1	Tail Mount Panel - Box	\$ 7.50		
1013-1	Drive Link - Swashplate	\$ 1.05		
1014-1	Drive Ring - Swashplate	\$ 7.50		
1015-1	Main Gear Hub-Lwr Rotor	\$ 20.16		
1016-1	Main Gear Hub-Upr Rotor	\$ 20.16		
1017-1	Spur Gear Pinion 2nd Stage	\$ 6.00		
1017-2	Spur Gear Pinion 2nd Stage (short shaft)	\$ 6.00		
1018-1	Idler Gear	\$ 6.00		
1019-1	Spur Gear Bull 2nd Stage	\$ 6.00		
1020-1	Spur Gear Bull 1st Stage	\$ 1.80		
1022-1	Shaft - Clutch	\$ 32.91		
1023-1	Servo Plate - Lateral	\$ 1.50		

AirScoot™ Hobby Model Parts Pricing

Part #	Description	Price Ea.	Qty.	Total
1024-1	Servo Plate - Longitudinal	\$ 1.50		
1026-1	Plate Transmission Bottom	\$ 6.00		
1027-1	Plate Transmission Top	\$ 7.50		
1028-1	Link - Tail Sync	\$ 1.05		
1029-1	Link - Tail Servo	\$ 6.00		
1030-1	Crank - Tail	\$ 1.05		
1033-1	Servo Bracket - Yaw	\$ 13.50		
1035-1	Coupling - Yaw Servo	\$ 3.30		
1036-1	SKID - LANDING GEAR	\$ 3.00		
1037-1	Bow - Landing Gear	\$ 3.00		
1038-1	Shaft - Lower Rotor	\$ 12.00		
1039-1	Shaft - Upper Rotor	\$ 4.77		
1040-1	Shaft - Lower Rotor Drive	\$ 49.82		
1041-1	Shaft - Second Stage	\$ 5.25		
1041-2	Shaft - Second Stage	\$ 2.67		
1042-1	Shaft - Paddle	\$ 3.87		
1043-1	Paddle	\$ 1.20		
1044-1	Pin - Drive Link	\$ 0.57		
1045-1	Hub - Lower Rotor Drive	\$ 46.78		
1046-1	Hub - Upper Rotor Drive	\$ 16.00		
1047-1	Pin - Upper Rotor Drive	\$ 0.33		
1048-2	Washer	\$ 2.67		
1049-1	Pin - Swash Plate	\$ 0.39		
1050-1	Pin - Lower Rotor Drive	\$ 0.30		
1052-1	Rotor Blades, CCW (Sold as Pair Only - \$20 per Pair)	\$ 20.00		
1052-2	Rotor Blades, CW (Sold as Pair Only - \$20 per Pair)	\$ 20.00		
1054-1	Spacer-Pitch Housing Bearing	\$ 2.40		
1055-1	Bracket	\$ 6.00		
1057-1	Lever - "Beller"	\$ 6.00		
1058-1	Spur Gear Pinion 2nd Stage	\$ 6.00		
1061-1	Fairing Complete	\$ 27.50		
1061-4	Washer	\$ 0.10		
1062-1	Bracket - Tail Fin	\$ 1.05		
1063-1	Shaft - Tail Fin	\$ 3.00		
1064-1	Tail Fin	\$ 3.60		
1065-1	Boom - Tail Fin	\$ 3.00		
1500	Ball Link, normal	\$ 0.63		
1501	Ball Link, short	\$ 1.74		
1502	Ball Stud	\$ 1.74		
1503	Ball	\$ 0.66		
1505	Ball Stud Long	\$ 1.50		
1506	Set screw Shaft Collar	\$ 1.50		
1509	Clamp-Lower Rotor Shaft	\$ 8.97		
1600	SHCS M2 X 4	\$ 0.10		
1601	SHCS M2 X 5	\$ 0.10		
1602	SHCS M2 X 6	\$ 0.10		
1603	SHCS M2 X 8	\$ 0.10		
1604	SHCS M2 X 10	\$ 0.10		
1605	SHCS M2 x 12	\$ 0.10		
1606	SHCS M2 X 14	\$ 0.10		

AirScoot™ Hobby Model Parts Pricing

Part #	Description	Price Ea.	Qty.	Total
1607	SHCS M2 X 16	\$ 0.10		
1608	SHCS M2.5 X 6	\$ 0.15		
1609	SHCS M2.5 X 7	\$ 0.15		
1610	SHCS M2.5 x 8	\$ 0.15		
1611	SHCS M2.5 X 10	\$ 0.15		
1612	SHCS M3 X 12	\$ 0.15		
1613	SHCS M3 X 16	\$ 0.15		
1614	SHCS M3 X 22	\$ 0.15		
1615	SHCS M4 X 20	\$ 0.15		
1616	SHCS #4-40 x 1/4"	\$ 0.10		
1617	Set Screw M2.5 X 3	\$ 0.10		
1618	Set Screw M2.5 X 4	\$ 0.10		
1619	Set Screw M3 X 4	\$ 0.10		
1620	Set Screw M3 X 5	\$ 0.10		
1621	Lock Nut M2	\$ 0.10		
1622	Lock Nut M2.5	\$ 0.10		
1623	Lock Nut M3	\$ 0.10		
1624	Washer M2	\$ 0.10		
1625	SHCS M2.4 X 4	\$ 0.15		
1626	SHCS M3 X 10	\$ 0.10		
1627	SHCS #2-56 X 1/4"	\$ 0.10		
1628	SHCS #2-56 X 1/2"	\$ 0.10		
1629	WASHER #2	\$ 0.10		
1700	Bearing-Flanged, M2 x 5 x 2.3F	\$ 4.00		
1701	Bearing-Flanged, M2 x 6 x 3F	\$ 2.80		
1702	Bearing, .125" x .250" x .109"	\$ 2.96		
1703	Bearing-Flanged, .125" x .250" x .109"	\$ 2.80		
1704	Bearing-Flanged, Extended inner Ring, .125" x .250" x .109"F	\$ 3.04		
1705	Bearing-Flanged, .125" x .375" x .104"F	\$ 3.12		
1706	Bearing-Flanged, .125" x .312" x .140"F	\$ 3.16		
1707	Bearing, M4 x 11 x 4	\$ 2.20		
1708	Bearing-Flanged, M5 x 10 x 4F	\$ 2.12		
1709	Bearing-Flanged, M8 x 14 x 4F	\$ 2.24		
1710	Bearing, M35 x 47 x 7	\$ 10.68		
1711	1-Way needle Cultch Bearing, .250" x .437" x .500"	\$ 20.40		
1712	Bearing-Flanged, .312" x .500" x .156"F	\$ 7.80		
1800	O-Ring, 1/16" x 3/8" ID x 1/2" OD	\$ 0.15		
1801	O-Ring, 3/32" x 1 5/16" ID X 1 1/2" OD	\$ 0.15		
1803	Snap Ring, External for .250" shaft	\$ 0.10		
1805	Tie Wrap .13" Wide, Black	\$ 0.10		
1806	1/4" Foam Rubber, 2.25" x 6"	\$ 1.00		
1808	Tube, .138" IDx.188" OD x 8.9"	\$ 3.00		
1809	Connector - Male	\$ 3.00		
1810	Connector - Female	\$ 3.00		
1811	Silicon Rubber Wire	\$ 3.00		
1813	Rubber Grommet	\$ 0.10		
1814	Vinyl End Cap for 5/16" tube	\$ 0.30		
2001	Decal Set	\$ 6.00		
2002	Assembly Manual	\$ 5.00		
2003	Parts Manual	\$ 5.00		

Grand Total: