

- **Recommendation:**  
*We highly suggest using the latest version of the Assembly Instruction Manual.  
To download the latest version, please visit the Official TSH GAUI web site: [www.gauicom.tw](http://www.gauicom.tw)*
- **This product is for a radio controlled (RC) helicopter.**  
*Improper operation, maintenance or assembly can potentially cause a RC helicopter to pose a danger to persons or objects including but not limited to the possibility of causing serious physical injury and even death.*

取得最新的手冊：  
我們非常建議您取得最新版本的手冊。  
請到泰世網站下載最新的手冊，並且取代目前的手冊。

- 本產品是無線遙控的直升機。  
不當的操作，保養或是組裝有可能導致遙控直升機對於人身或是物品造成危險。  
包括，但是不局限於對於人體產生嚴重傷害甚至死亡的可能性。



Preface	前言	P.1
LIABILITY DISCLAIMER	免責聲明	P.2
Academy of Model Aeronautics (AMA)		P.3
Tools and Equipment for Assembly	自備工具及設備	P.4
Symbols for Assembly Notices / Specification	組裝代號說明 / 規格資料	P.5
Main Shaft Frame Assembly / Main Frame Assembly (Left)-1	主軸板組裝 / 機體側板組裝(左)-1	P.6
Main Frame Assembly (Left)-2 / Main Frame Assembly (Left)-3	機體側板組裝(左)- 2 / 機體側板組裝(左)- 3	P.7
Main Frame Assembly (Left)-4 / Main Frame Assembly (Left)-5	機體側板組裝(左)- 4 / 機體側板組裝(左)- 5	P.8
Main Frame Assembly (Left)-6 / Main Frame Assembly (Right)-1	機體側板組裝(左)- 6 / 機體側板組裝(右)- 1	P.9
Main Frame Assembly (Right)-2 / Main Frame Assembly (Right)-3	機體側板組裝(右)- 2 / 機體側板組裝(右)- 3	P.10
Main Frame Assembly (Right)-4 / Main Frame Assembly (Right)-5	機體側板組裝(右)- 4 / 機體側板組裝(右)- 5	P.11
Main Frame Assembly (Right)-6 / CF Bottom Frame Assembly	機體側板組裝(右)- 6 / 機體底板組裝	P.12
Landing Gear Assembly / Divider Frame Posts Assembly	支撐架組裝 / 隔板鋁柱組裝	P.13
Skid Assembly / Tail Boom Assembly	滑橈組裝 / 尾管組裝	P.14
Torque Tube Assembly / Front Bevel Gear Assembly	傳動軸心組裝 / 尾前傳動齒組裝	P.15
Tail Gear Case Assembly / Tail Rotor Control Arm Assembly	尾殼組裝 / 雙推尾舵組裝	P.16
Tail Pitch Slider Assembly / Tail Rotor Head Assembly	螃蟹夾座組裝 / 尾旋翼夾頭組裝	P.17
Tail Gear Case Assembly / Main Gear Assembly	垂直尾翼組裝 / 主齒盤組裝	P.18
Main Gear Assembly-1 / Main Gear Assembly-2	主齒盤組裝- 1 / 主齒盤組裝- 2	P.19
Tail Boom Support Assembly / Tail Push Rod Assembly	支撐桿組立 / 尾拉桿組立	P.20
Tail Boom Support Assembly / Tail Fins Assembly	支撐桿組裝 / 水平翼座組裝	P.21
Tail Push Rod Assembly / Reinforced Plate Assembly	尾拉桿安裝 / 機身強化板組裝	P.22
Pinion Gear Assembly / Motor Assembly	馬達齒組裝 / 馬達組裝	P.23
Rotor Head Assembly / Washout Arm Assembly	主旋翼頭組裝 / 定位器組裝	P.24
Swashplate Assembly / Swashplate Assembly	十字內盤組裝 / 十字外盤組裝	P.25
Swashplate Assembly / Rotor Head Assembly	十字盤總成組裝 / 旋翼頭總成組裝	P.26
Main Blade Push Rod Assembly / Servo Setting and Adjustment	主旋翼拉桿組裝 / 伺服器組裝注意事項	P.27
Servo Setting and Adjustment-1 / Servo Setting and Adjustment-2	伺服機組裝- 1 / 伺服機組裝- 2	P.28
Servo Setting and Adjustment-3 / Servo Setting and Adjustment-4	伺服機組裝- 3 / 伺服機組裝- 4	P.29
Heat Sink Assembly / Example for Electronics Assembly	散熱片組裝 / 電裝配置範例	P.30
Gear Ratio Comparison Sheet / Battery Assembly-1	齒輪比配置表 / 電池組立 - 1	P.31
Battery Assembly-2 / Battery Assembly-3	電池組立- 2 / 電池組立- 3	P.32
Main Blades Assembly / Canopy Assembly	主旋翼槳組裝 / 艙罩組裝	P.33
Parts	零件表	P.34~P.36

Thank you for purchasing **GAUI X7** High Performance RC Helicopter from Tai Shih Hobby Corporation (TSH). We hope you will enjoy the joy of flight.

感謝您購買泰世科技出品的 **GAUI X7** 高性能遙控直升機，我們希望您可以盡情享受飛行的樂趣。

In order to understand full assembly sequences, this instruction manual show the assembly information of this model, even though some elements are supplied as pre-assembled. Please refer to it when carrying out maintenance or replacing parts.

為了要讓使用者詳細瞭解組裝順序，即使有些部件已經預先組裝完成，本說明書將提供這台遙控模型的組裝資訊。同時，敬請參閱保養與主要零件更換資訊。

**CAUTION: This radio controlled helicopter is not a toy.**  
**The product is not suitable for children under 14 years of age.**  
**警告：這台遙控直升機不是玩具。**

## **SAFETY PRECAUTIONS**

This kit includes some preassembled components. Please check for any loose screws and tighten them before you proceed with assembly. You are responsible for assembly, safe operation, maintenance, inspection and adjustment of the model.

Before beginning assembly, please read these instructions thoroughly.

Check all parts. If you find any defective or missing parts, contact your local dealer or **GAUI** TSH distributor.

Before you proceed to RC helicopter activity, please check and follow thoroughly related regulation of aero modeling in your country/region.

### **安全資訊與注意事項**

這台遙控模型包含預先組合完成的部件。

在進行組裝之前，請仔細檢查這些預先組裝部件上的所有螺絲均有仔細鎖緊。您有完全的責任對於這台遙控模型的組裝，安全操作，保養，檢查與調整。請先檢查所有的零件，如果發現任何不良品，遺失品，請向模型店或是當地的泰世代理商連絡。

在您進行遙控直升機活動時，請先詳細瞭解與遵守當地遙控模型的相關法規。

## LIABILITY DISCLAIMER

This product is for a radio controlled (RC) helicopter.

Improper operation, maintenance or assembly can potentially cause a RC helicopter to pose a danger to persons or objects including but not limited to the possibility of causing serious physical injury and even death.

Moving components can present a hazard to operators, and anyone or anything that could be in the flying area of the RC helicopter.

Under no circumstance should a minor be allowed to operate this RC helicopter without the approval, monitor and direction of his parent or legal guardian who takes full responsibility for all of the minor's actions.

This product is intended for being operated by experienced mature radio control helicopter pilots under controlled safety conditions and on locations properly authorized and setup for safe flying and away from other people.

Do not operate an RC helicopter within the vicinity of residences, trees, electrical power lines during inclement weather or near crowds of people.

The manufacturer and/or its distributors assume no responsibility or liability whatsoever for any damages including but not limited to ones generated by incidental or consequential damages.

The operator of the helicopter assumes all responsibility and liability that results from the correct or incorrect operation of the helicopter.

After leaving its facilities, the manufacturer has no way of maintaining control or monitor over the assembly, maintenance and/or operation of the helicopter.

## 免責聲明

本產品是無線遙控的直升機。

不當的操作，保養或是組裝有可能導致遙控直升機對於人身或是物品造成危險。包括，但是不局限於對於人體產生嚴重傷害甚至死亡的可能性。

所有的移動部件可能對於操作的使用者，旁人或是這台遙控直升機飛行場的任何人或物品產生傷害。

未成年的人如果要操作這台遙控直升機需要父母或是監護人的同意，並在監督與指導下才能進行操作並遠離周遭障礙物及人群等，其父母或是監護人需負起所有責任與法律責任。

以下場合與情況禁止操作遙控直升機：居家房屋附近、天候不佳時、非空曠區域、樹木、電線竿等場合或是人群附近。

製造廠商與其經銷商都不對於所有的傷害，包含但是不局限於偶然或是連續發生的傷害負擔任何責任。

本產品的使用者要對於正確地或是不正確地操作的結果需負擔所有責任與法律責任。

本產品一但離開製造廠商的控制範圍外，

製造廠商無法對於下列事項保持監督與控管：

組裝，保養，維修與操作這台遙控直升機。







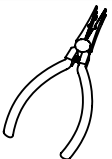
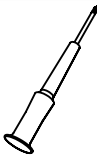

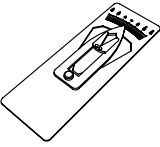
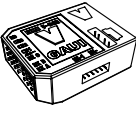
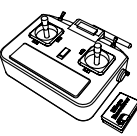
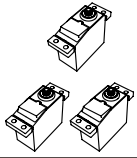
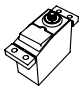
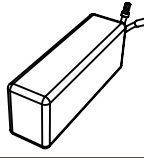

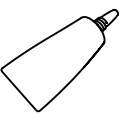
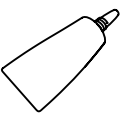

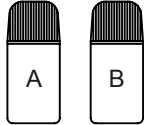
For United States market, The Academy of Model Aeronautics (AMA) is a national organization representing modelers in the United States. Please refer the National Model Aircraft safety code from Academy of Model Aeronautics. And we've partially reprinted rules that are especially pertinent for radio controlled flight as below:

### **RADIO CONTROL**

1. All pilots shall avoid flying models over unprotected people.
2. I will complete a successful radio equipment ground-range check in accordance with the manufacturer's recommendations before the first flight of a new or repaired aircraft.
3. At all flying sites a safety line or lines must be established, in front of which all flying takes place. Only personnel associated with flying the model aircraft are allowed at or in front of the safety line.  
In the case of air shows or demonstrations a straight safety line must be established.  
An area away from the safety line must be maintained for spectators.  
Intentional flying behind the safety line is prohibited. (See AMA Document #706 for Recommended Field Layout.)
4. I will operate my model aircraft using only radio-control frequencies currently allowed by the Federal Communications Commission (FCC).  
Only individuals properly licensed by the FCC are authorized to operate equipment on Amateur Band frequencies.
5. I will not knowingly operate my model aircraft within three (3) miles of any preexisting flying site without a frequency-management agreement.  
(See AMA Document #922 for Testing for RF Interference. See AMA Document #923 for Frequency Management Agreement.)
6. With the exception of events flown under official AMA Competition Regulations rules, excluding takeoff and landing, no powered model may be flown outdoors closer than 25 feet to any individual, except for the pilot and the pilot's helper(s) located at the flight line.
7. Under no circumstances may a pilot or other person touch a model aircraft in flight while it is still under power, except to divert it from striking an individual. This does not apply to model aircraft flown indoors.
8. Radio-controlled night flying requires a lighting system that provides the pilot with a clear view of the model's attitude and orientation at all times.
9. The operator of a radio-controlled model aircraft shall control it during the entire flight, maintaining visual contact without enhancement other than by corrective lenses that are prescribed for the pilot. First-Person View (FPV) flying may only be conducted in accordance with the procedures outlined in AMA Document #550.

These special codes and appropriate documents may be obtained either from the AMA Web site at [www.modelaircraft.org](http://www.modelaircraft.org) or by contacting AMA headquarter.

Academy of Model Aeronautics  
5151 East Memorial Drive  
Muncie, IN 47302  
Phone (800) 435-9262  
Fax (765) 741-0057

			
2.0mm Hexagon Screw Driver	3.0mm Hexagon Screw Driver	2.5mm Hexagon Screw Driver	3.5mm Hexagon Screw Driver
2.0mm 六角螺絲起子	3.0mm 六角螺絲起子	2.5mm 六角螺絲起子	3.5mm 六角螺絲起子
			
Needle-nosed pliers	Diagonal cutting plier	Ball Link Plier	Phillips Screw Driver
尖嘴鉗	斜口鉗	拔豆鉗	十字螺絲起子
			
Scissors	Dial Pitch Gauge	GYRO	Transmitter (6-channel or more, helicopter system)
剪刀	主旋翼螺距規	陀螺儀	六動以上接收機&發射機
			
CCPM Servo x3pcs	Tail Specialized Servo x1pcs	Battery 6S 22.2v 3000mAh	CA
CCPM伺服機x3個	尾舵伺服機x1個	鋰聚電池6S 22.2v 3000mAh	瞬間膠
			
General thread lock	Anaerobic adhesive	Lubricant / one-way bearing grease	Apply AB glue
螺絲止鬆劑	特殊型缺氧膠	潤滑油 / 單向軸承油	AB黏著劑



Apply general thread lock.  
To tight screw and apply thread lock.  
一般型止鬆劑  
鎖緊螺絲並確認上膠



Apply general thread lock.  
Be certain to tight screw and  
apply thread lock.  
一般型止鬆劑  
務必鎖緊螺絲並確認上膠



Apply anaerobic adhesive.  
Be certain to tight screw and  
apply thread lock.  
特殊型缺氧膠  
務必鎖緊螺絲並確認上膠



Apply general thread lock.  
一般型止鬆劑



Apply anaerobic adhesive.  
使用特殊型缺氧膠。



Apply AB glue  
使用AB黏著劑



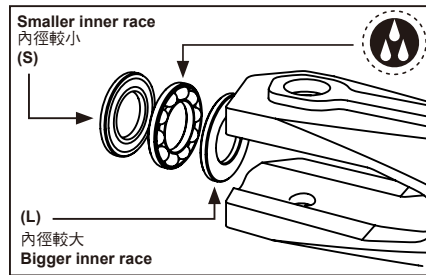
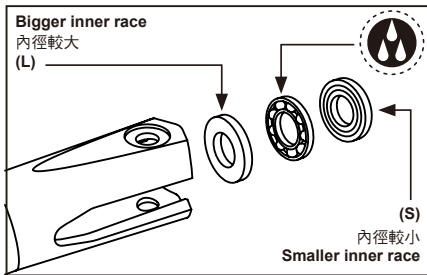
Apply CA glue  
使用瞬間黏著劑



Apply lubricant  
依個人需求使用潤滑油。



Danger: High level of attention should be  
taken during assembly.  
Action during assembly might be hazardous.  
Extreme care should be taken to avoid injury.  
危 險: 組裝過程中請小心安裝並注意  
此危險程度可能造成安全性漏洞  
導致人為傷害。

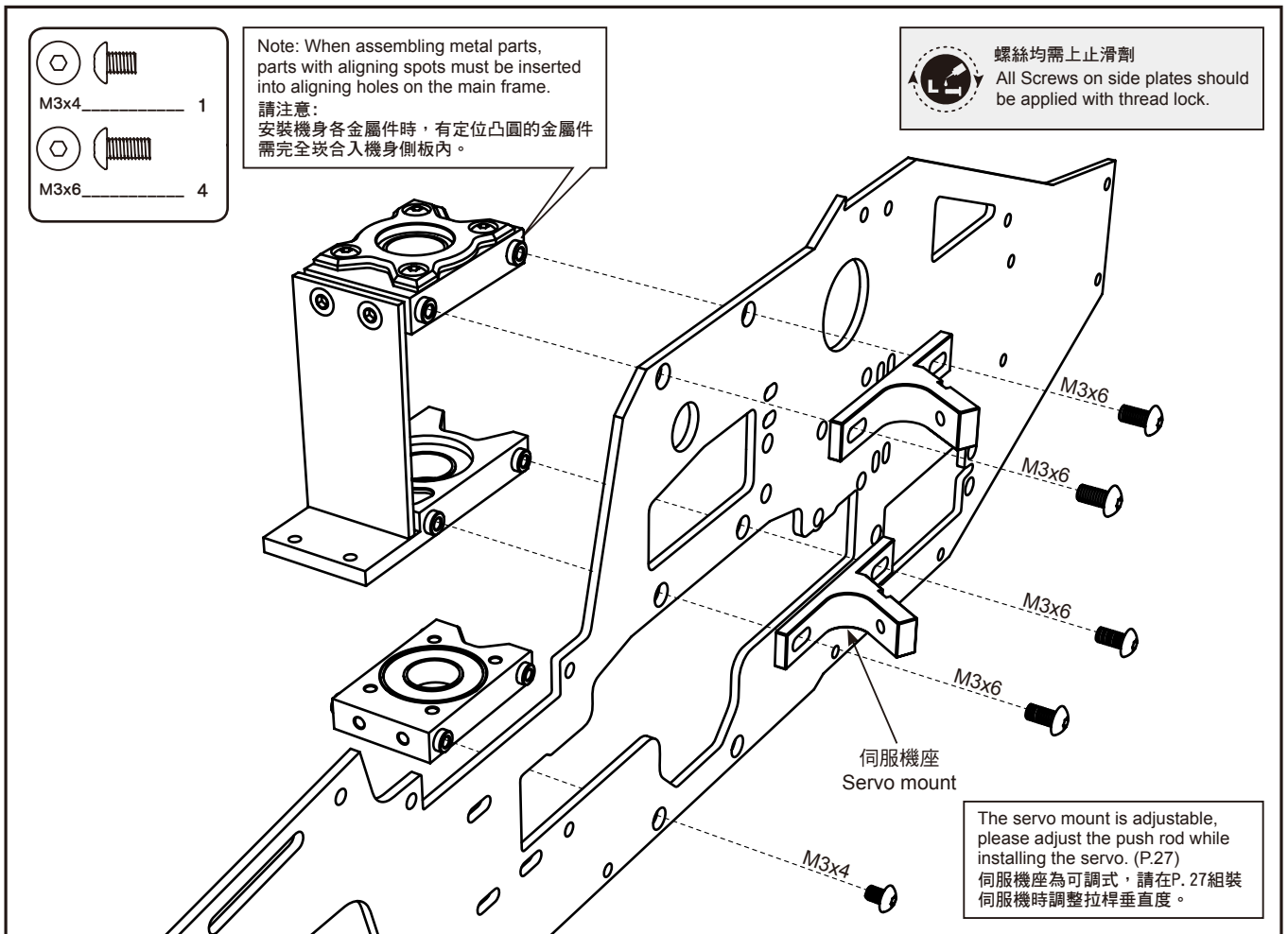
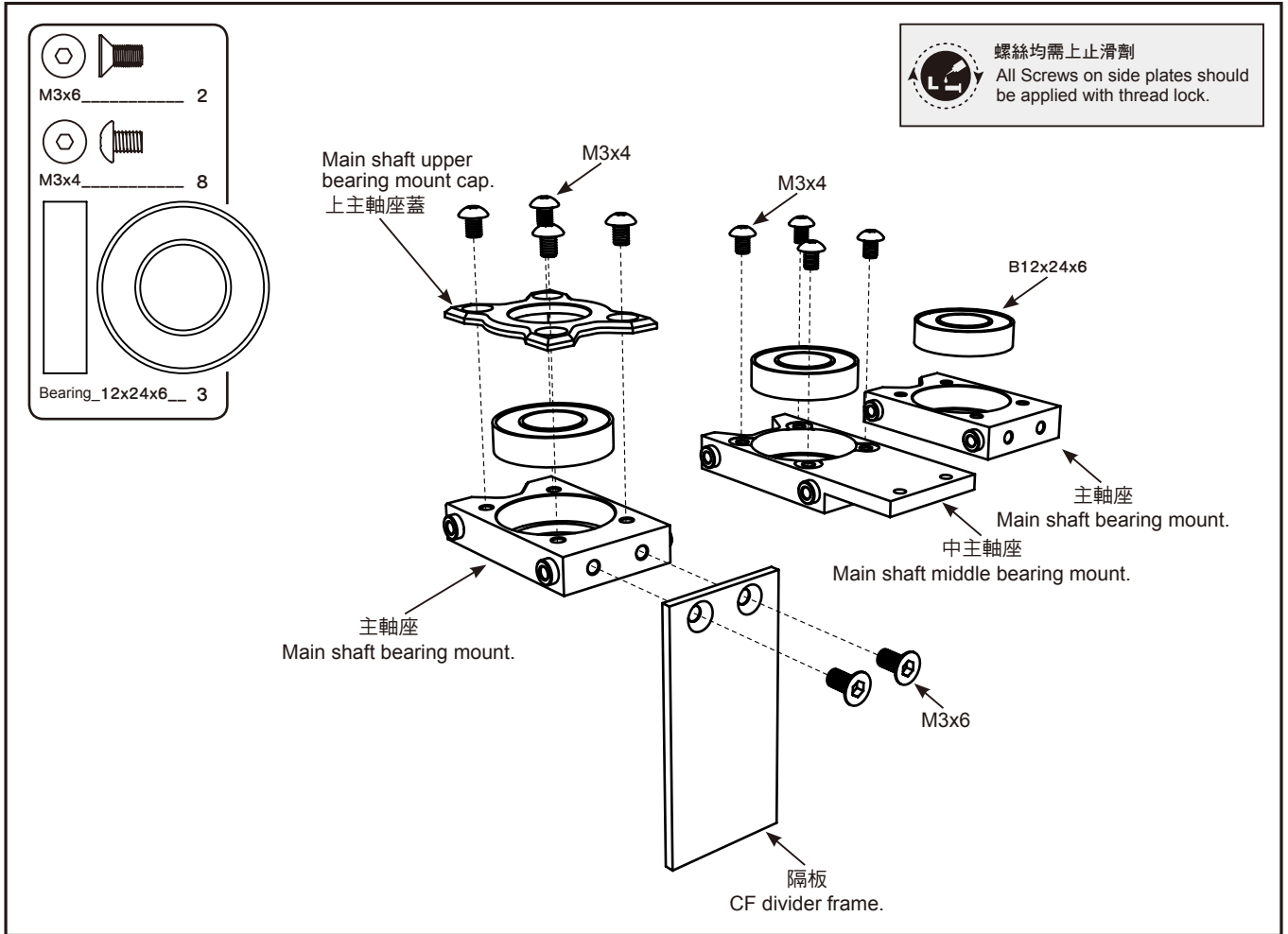


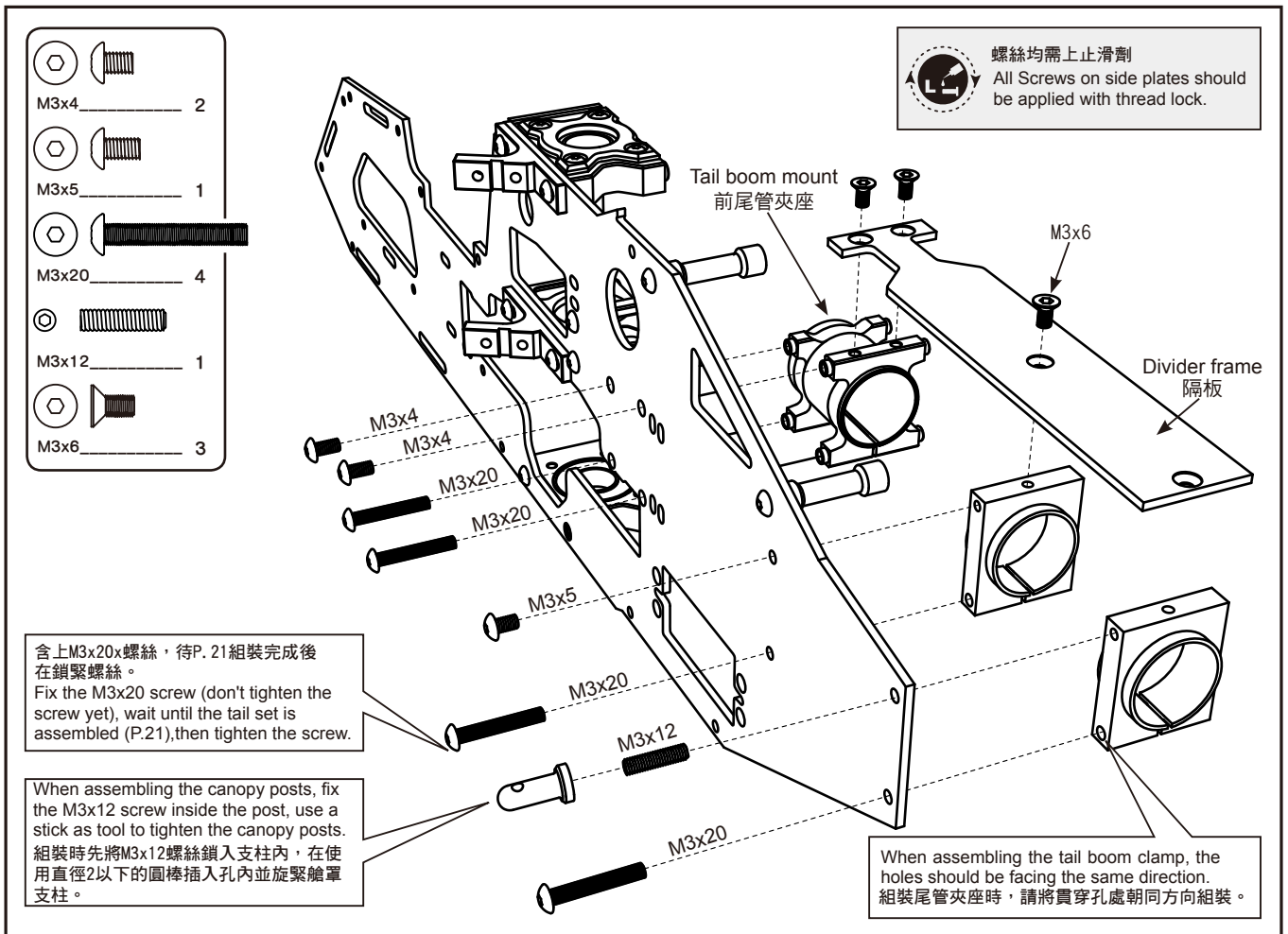
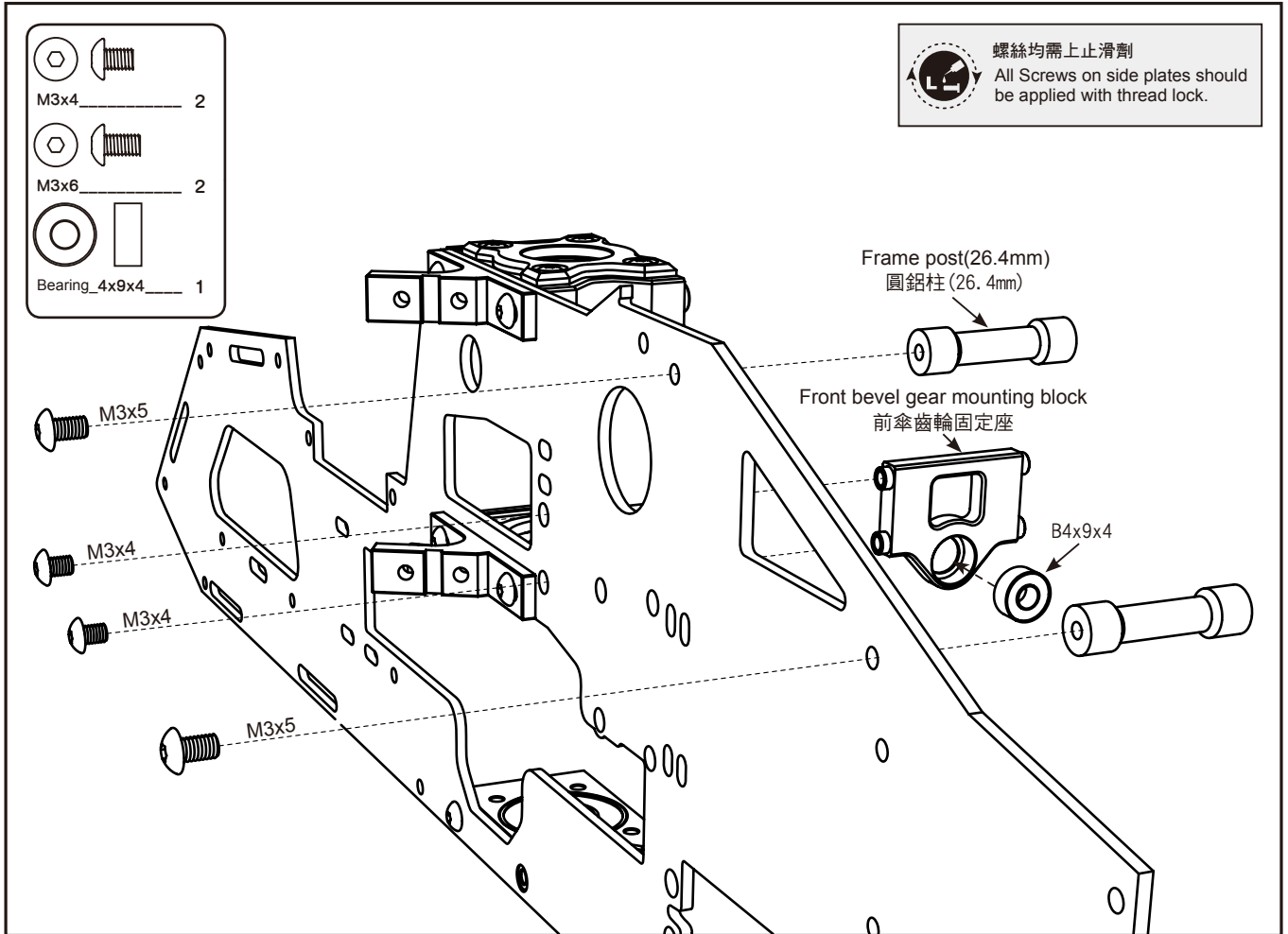
Pillar P-柱狀體	P(Dia.out)x(Length) P(外徑)x(長度)x(實心柱)
N-Nut N-螺母	N(Dia.out)x(Width) L-Lock nut N(外徑)x(長度)
W-Washer W-華司	W(Dia.in)x(Dia.out)x(Thickness) W(內徑)x(外徑)x(厚度)
P-tube P-柱狀體	P(Dia.in)x(Dia.out)x(Length) P(內徑)x(外徑)x(長度)
B-Bearing B-軸承	B(Dia.in)x(Dia.out)x(Thickness) B(內徑)x(外徑)x(厚度)
Ø-TapScrew Ø-扭牙螺絲	Ø(Dia.out)x(Length) Ø(外徑)x(長度)
M-Machine Screw M-公制螺絲	M(Dia.out)x(Length) M(外徑)x(長度)

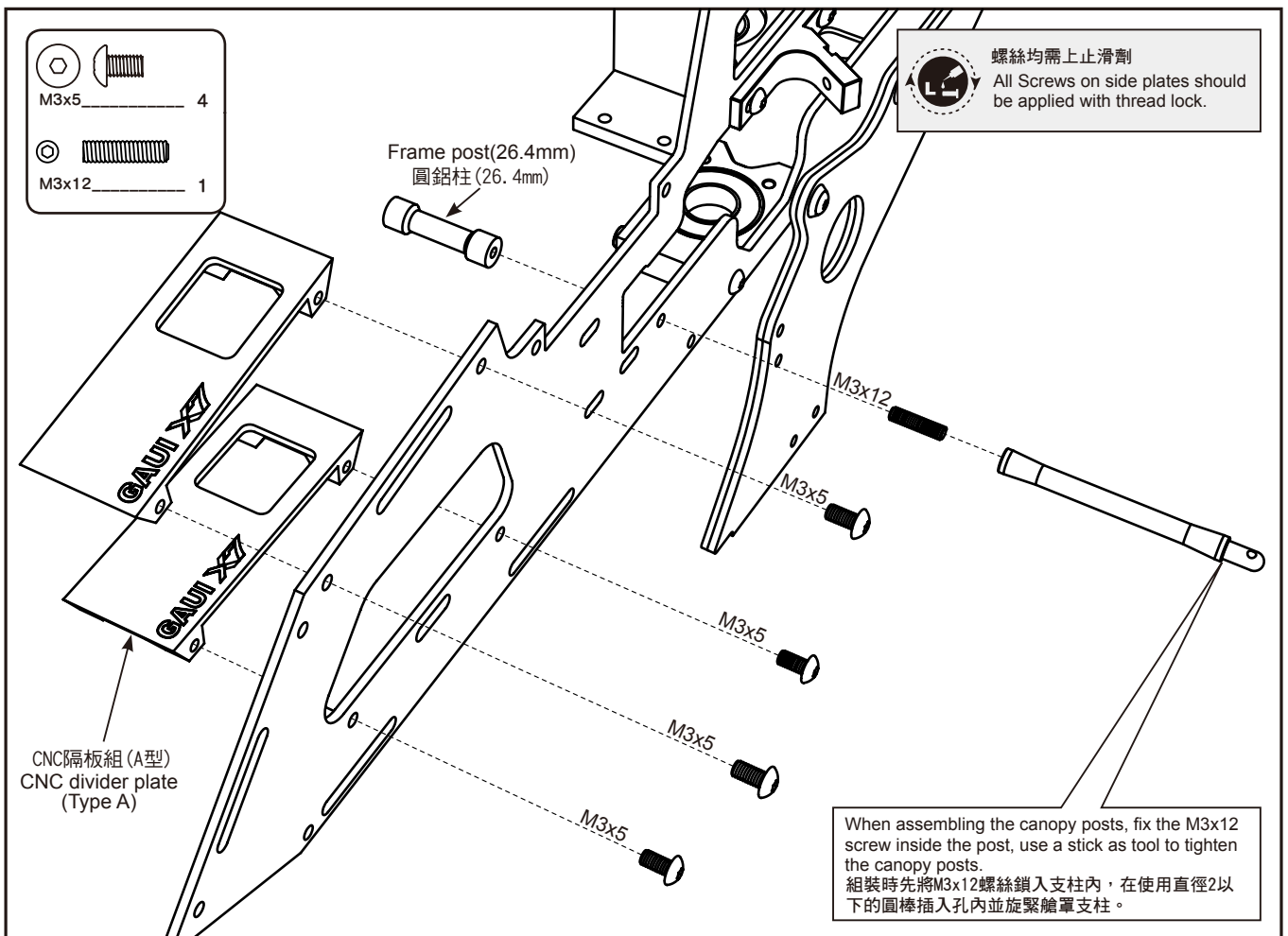
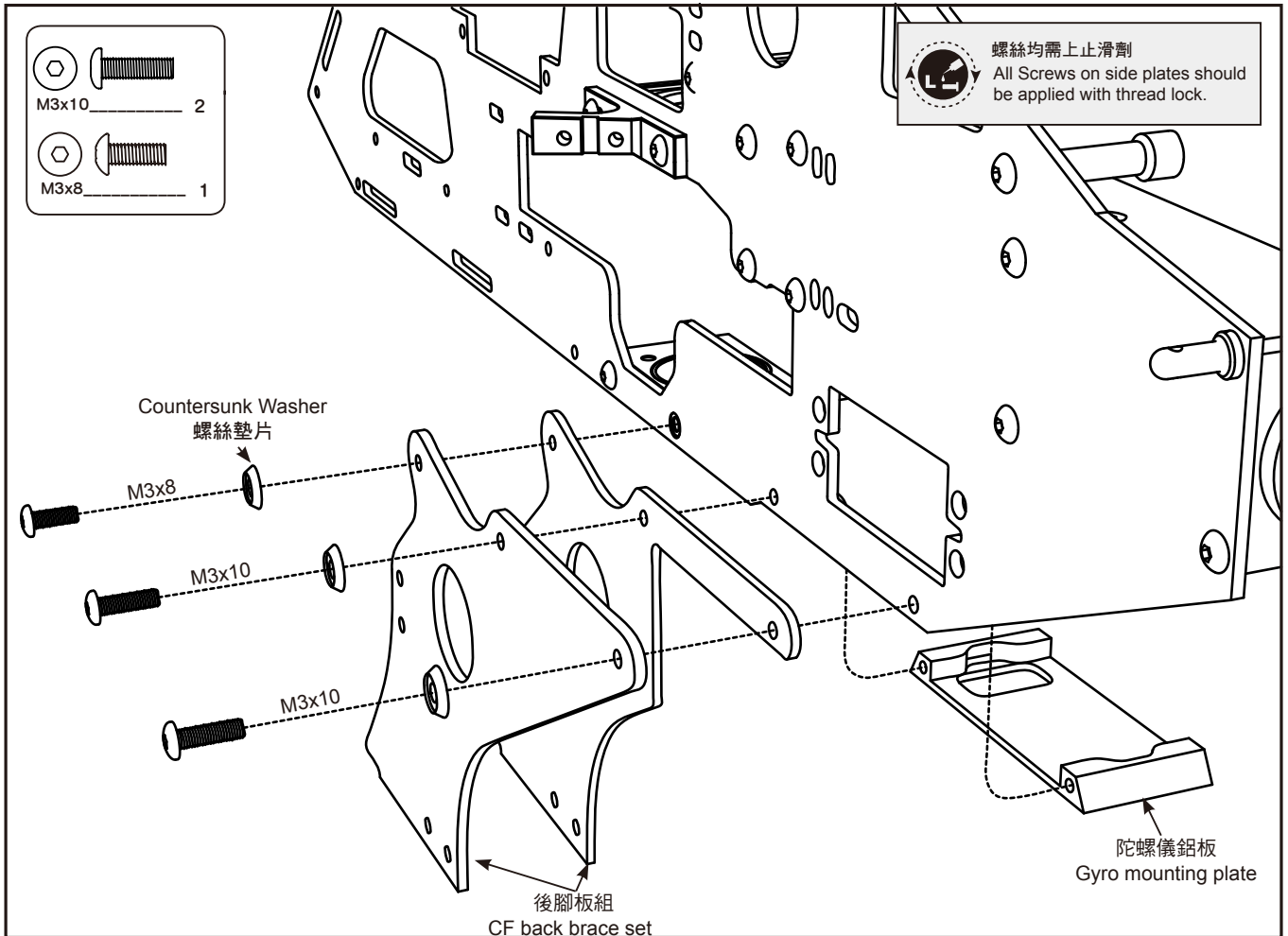
Make sure to assemble the parts as shown in figure above. Incomplete or incorrect assembly may cause control failure during flight.  
以上圖示，於組裝時請確實注意，避免組裝後試飛造成失控零件鬆脫等情況發生。

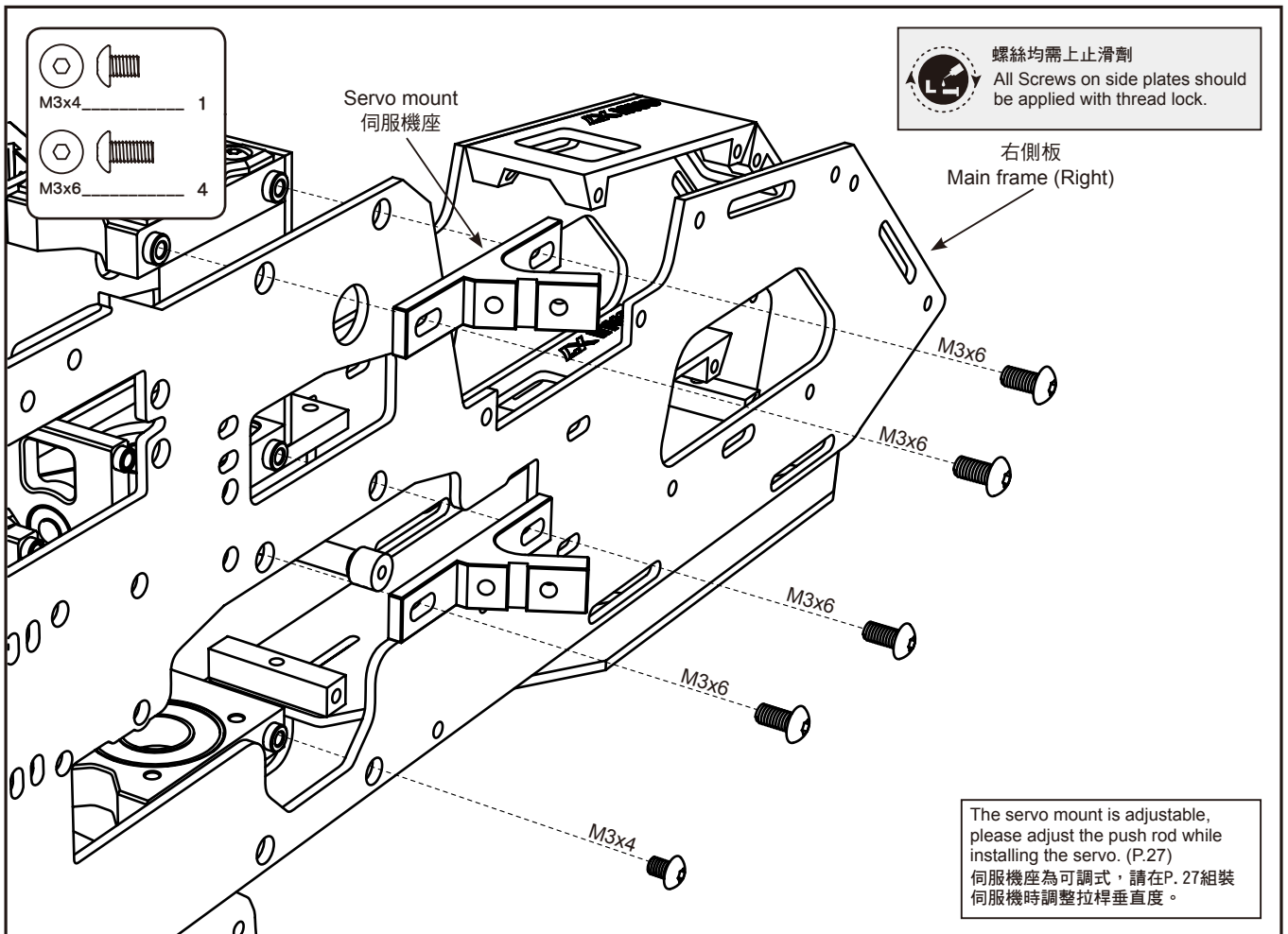
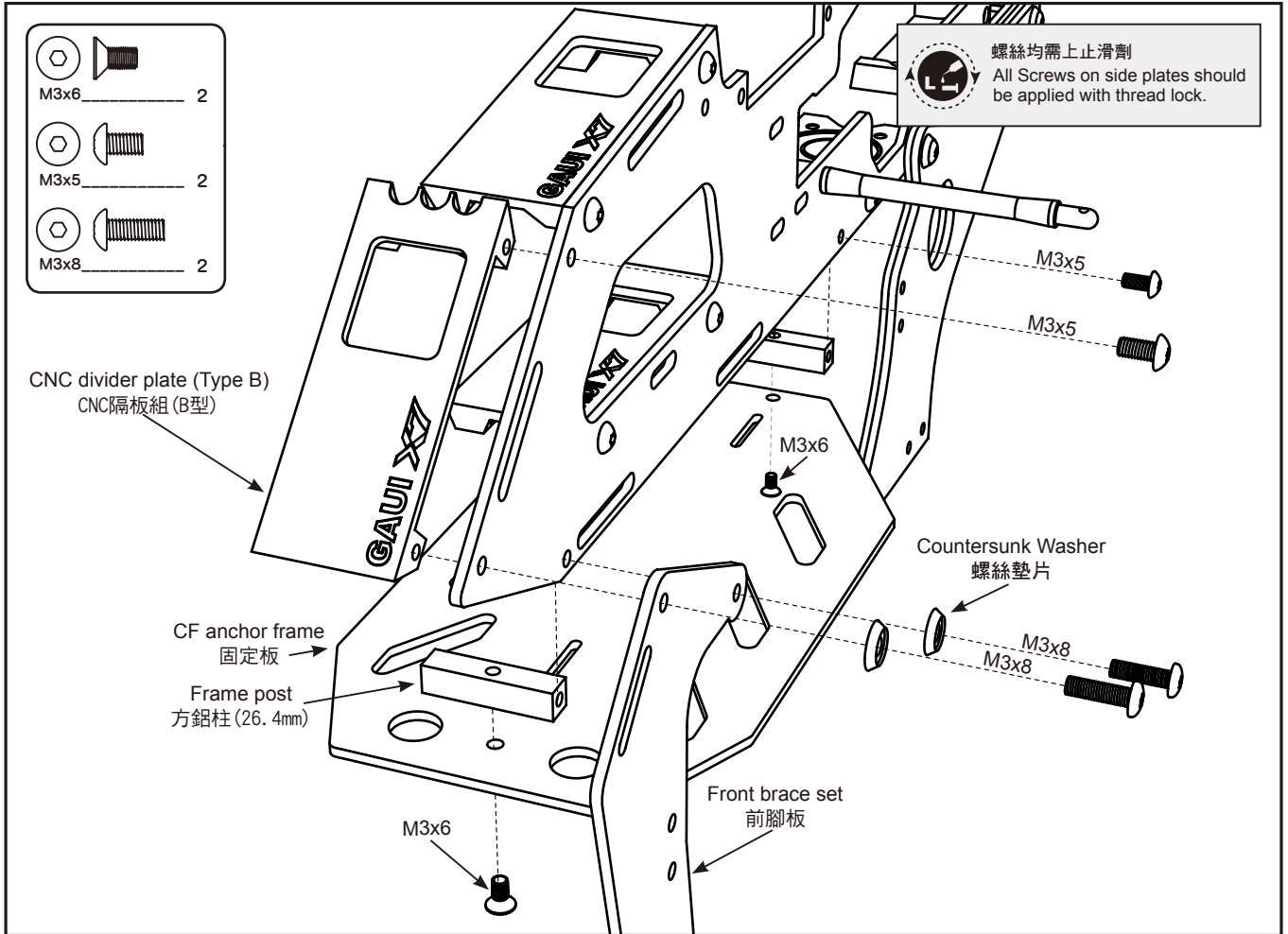
<b>Overall Length (with Canopy): 1340</b>	機身長度的(含艙罩): 1340 mm
<b>Main Rotor Diameter: 1610mm</b>	主旋翼迴轉直徑: 1610 mm
<b>Main rotor blades: 720mm</b>	主旋翼長度: 720 mm
<b>Overall Height: 370mm</b>	機身高度: 370 mm
<b>Overall Width: 200mm</b>	機身寬度: 200 mm
<b>Tail Blade Length: 105mm</b>	尾旋翼葉片長度: 105 mm
<b>Tail Rotor Diameter: 290mm</b>	尾旋翼迴轉直徑: 290 mm
<b>Flying duration: 4~5 minutes</b>	飛行時間: 4~5分鐘 (3D飛行)
<b>Power System(Recommended):</b>	動力系統(原廠建議):
<b>Motor: 450kV~500kV</b>	馬達: 450kV~500kV
<b>ESC: 120A ESC</b>	電子變速器: 120A ESC
<b>6S1P (22.2V/4200mAh ~5500 mAh) x 2pcs</b>	使用鋰聚電池: 6S(22.2v / 4200mAh~5500mAh) x2個
<b>Total weight: 2300g ±3% (kit with canopy, w/o all electronics, blades and batteries.)</b>	全配重量: 2300g ±3% (不含電池&電子裝備&主槳&尾槳)

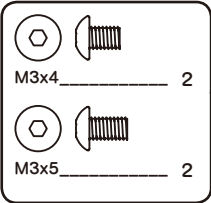




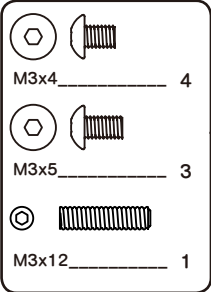
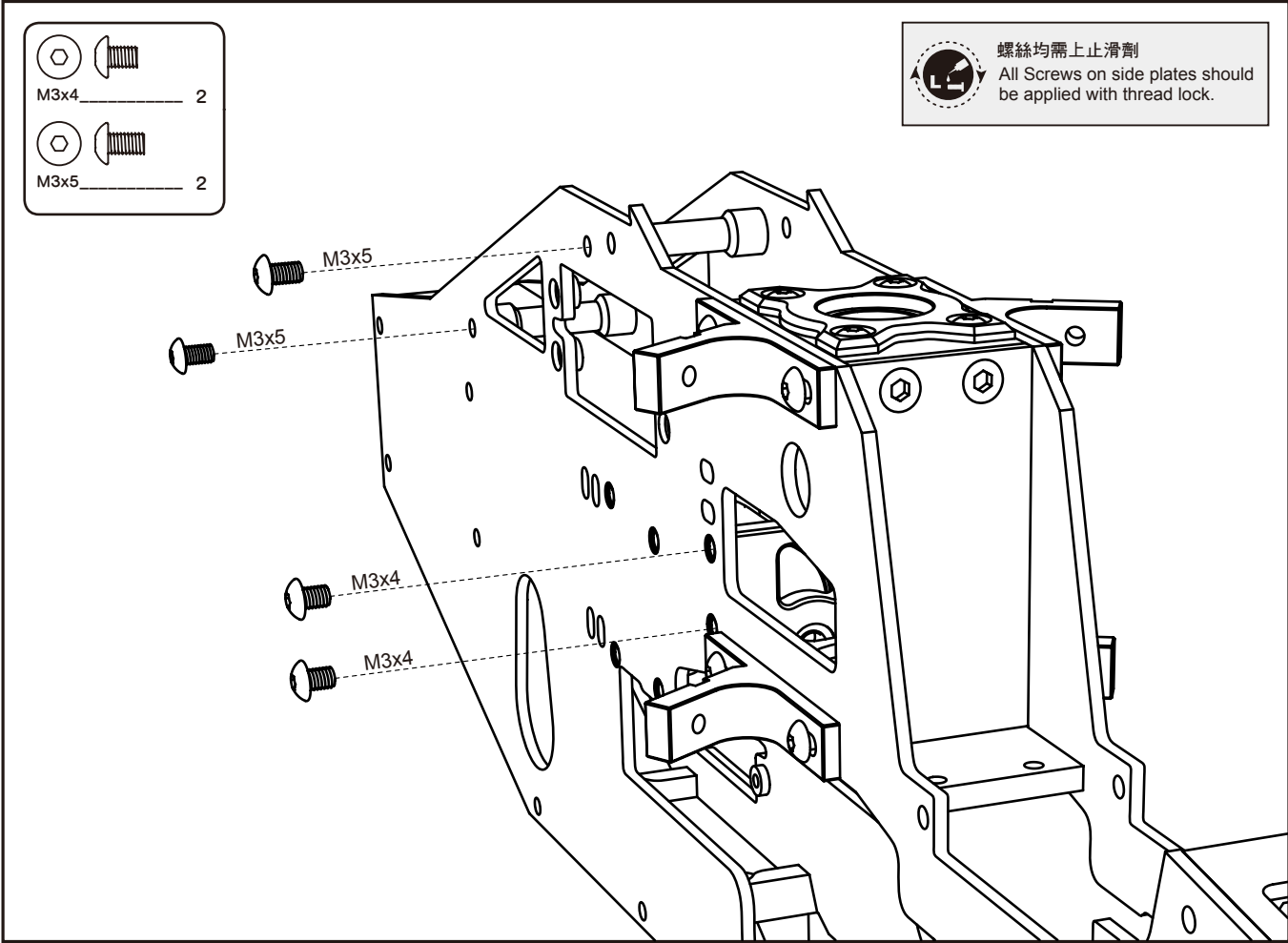




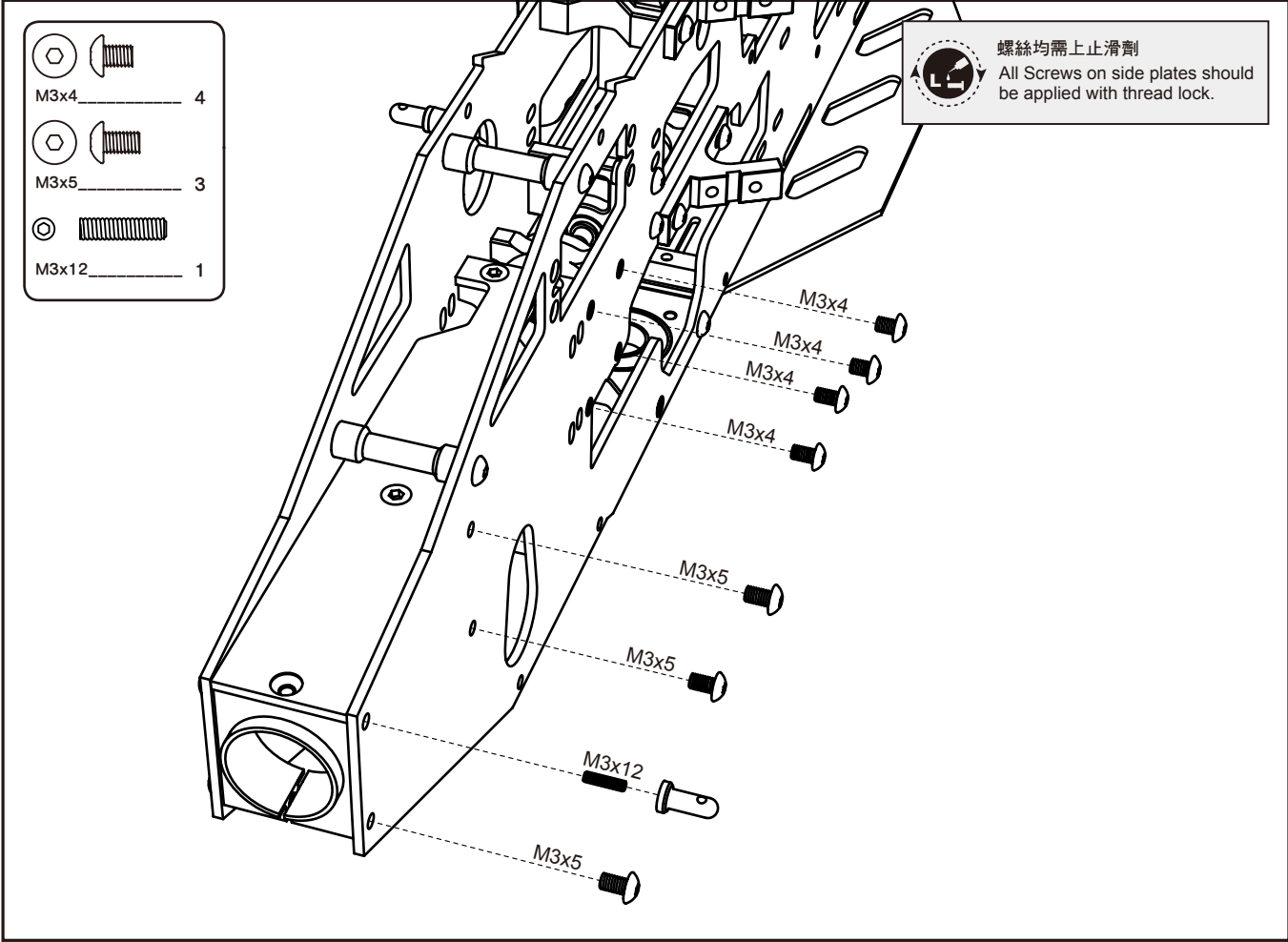


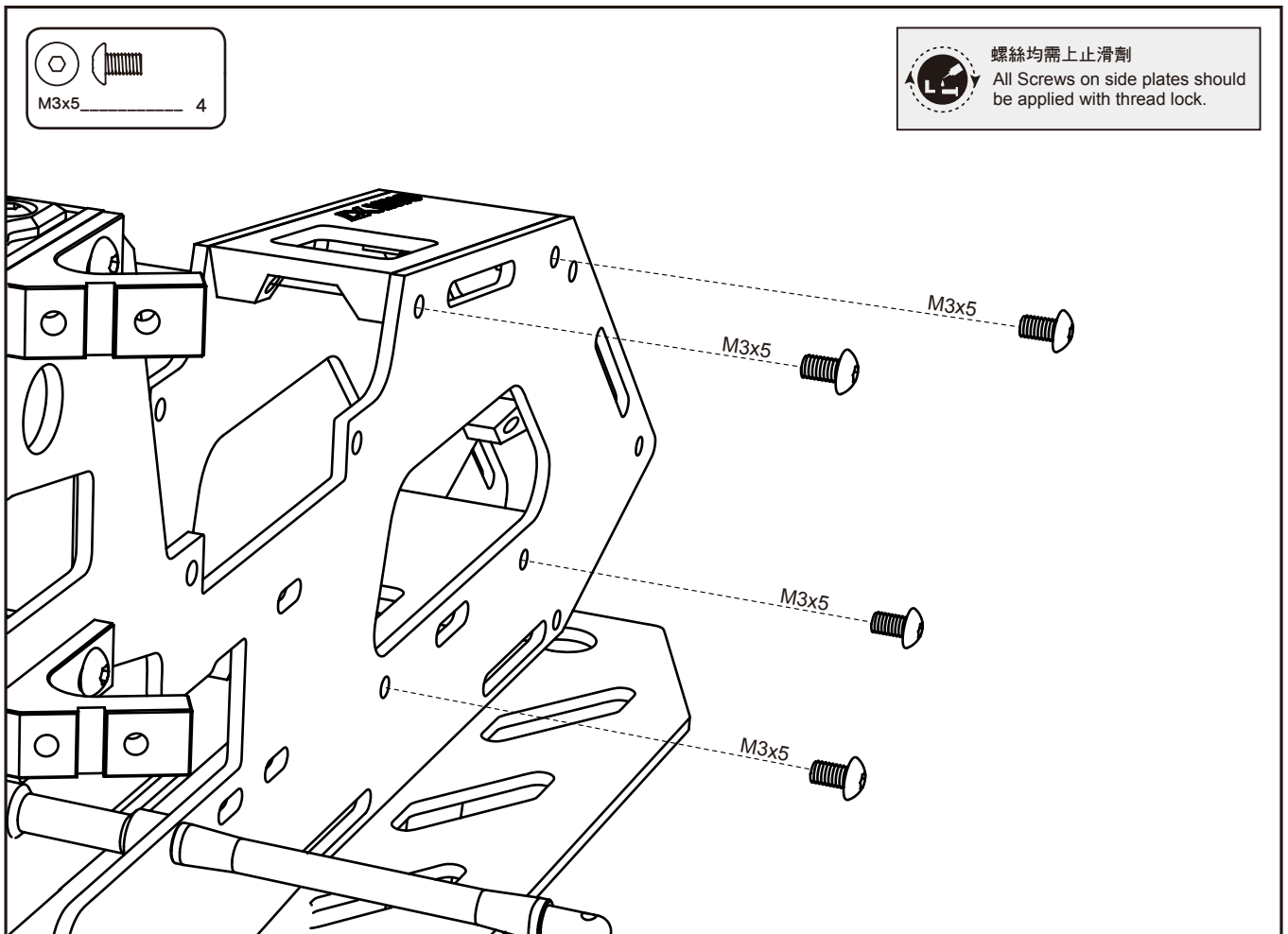
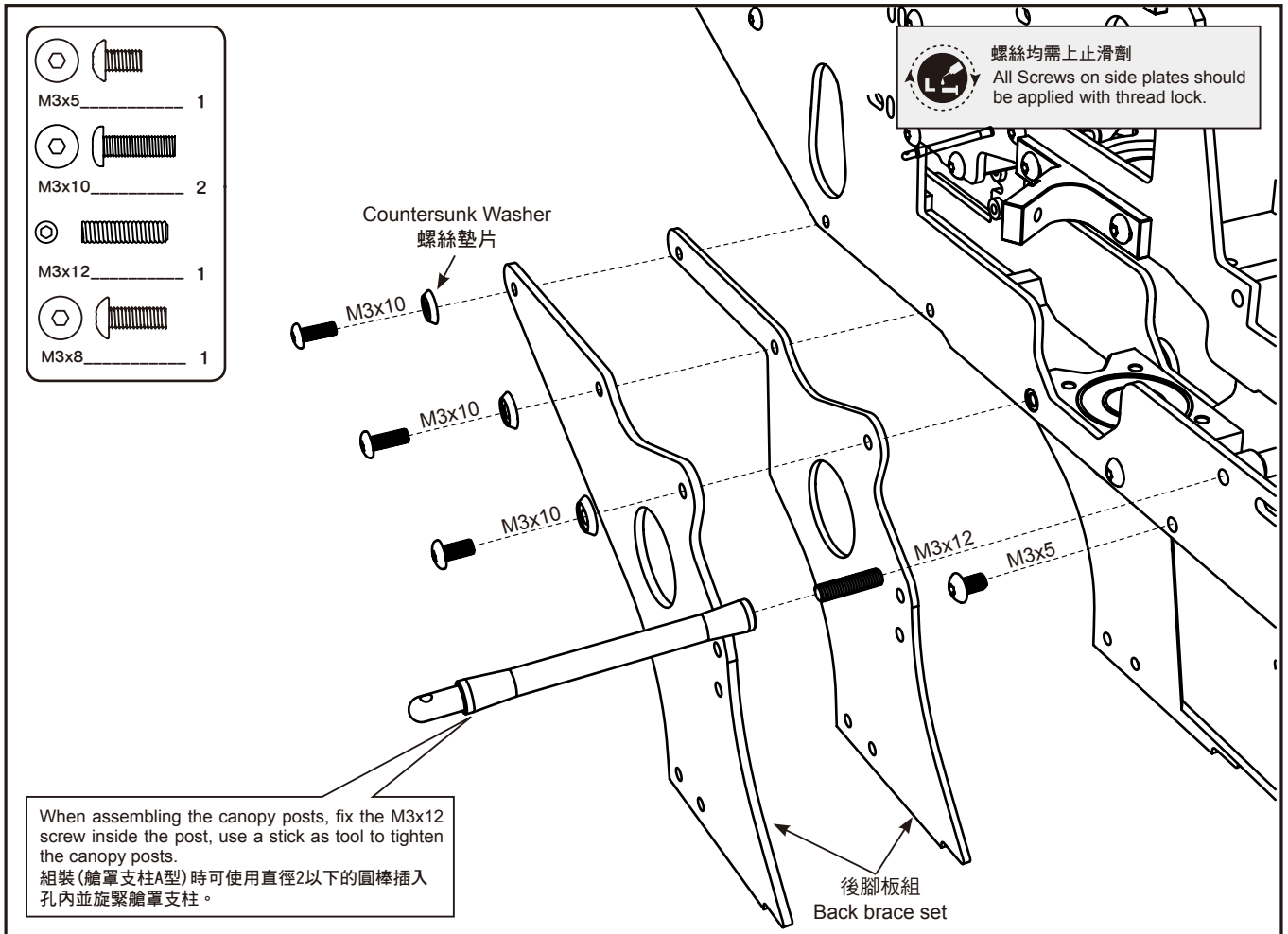


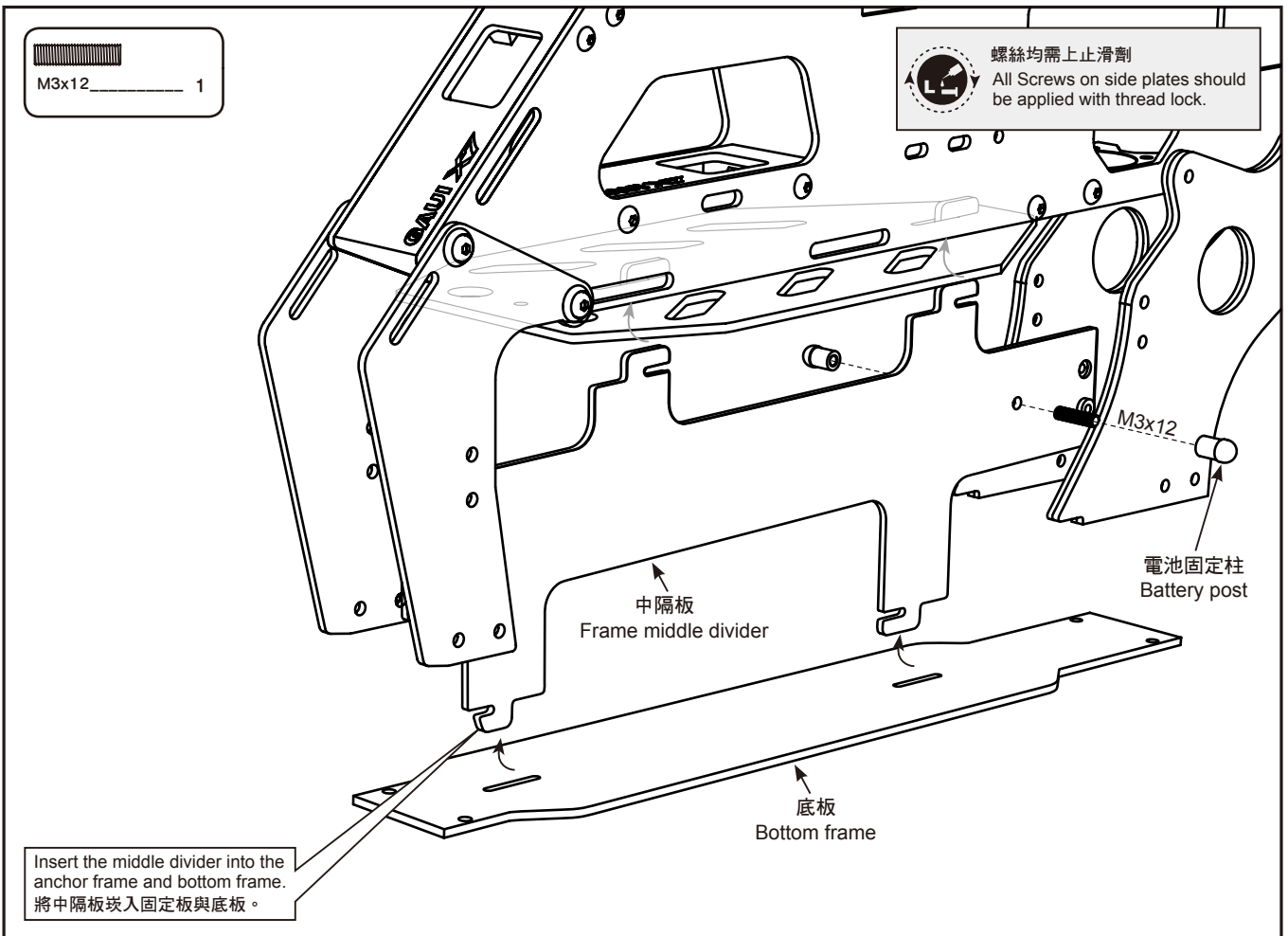
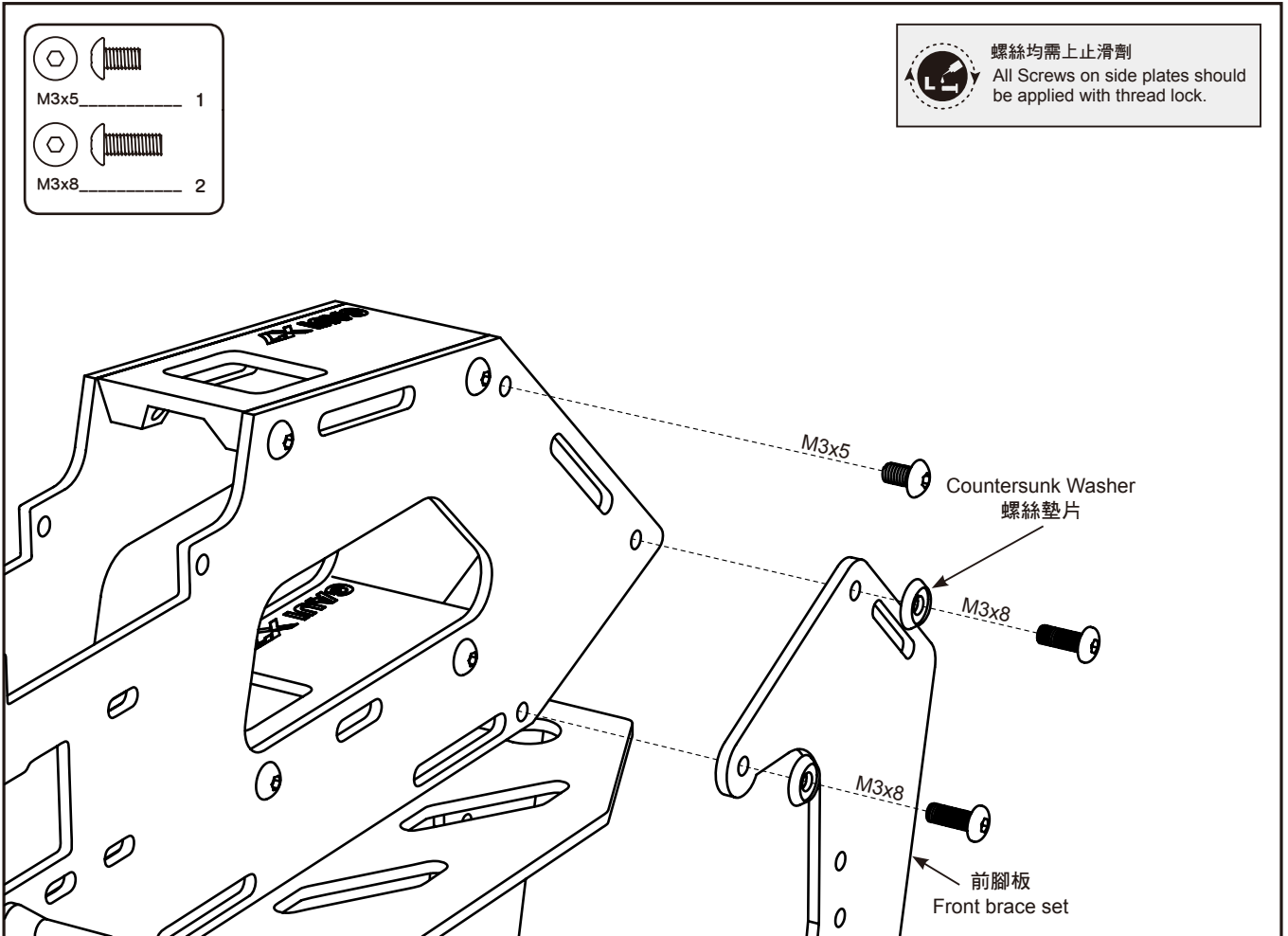
螺絲均需上止滑劑  
All Screws on side plates should be applied with thread lock.

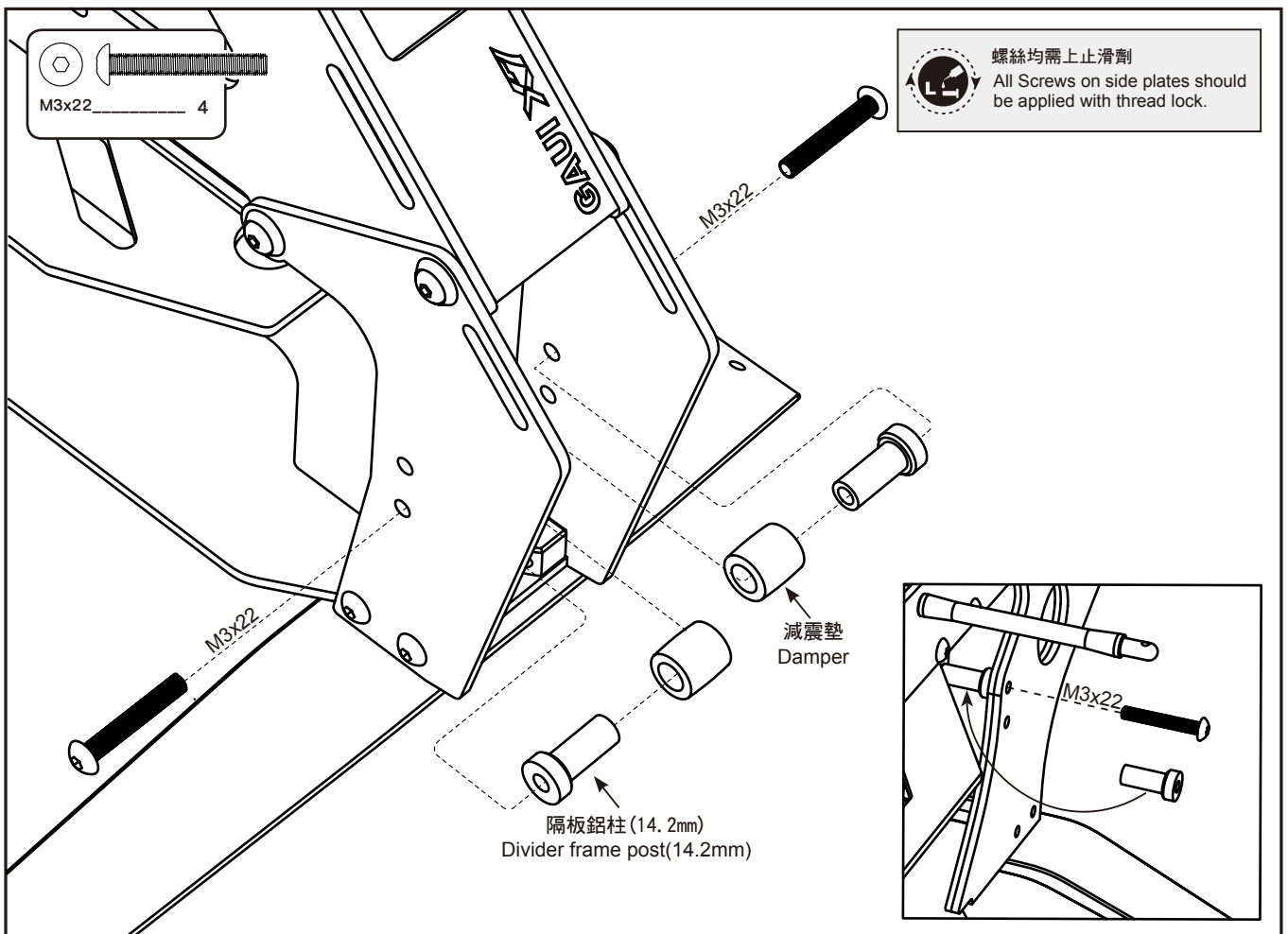
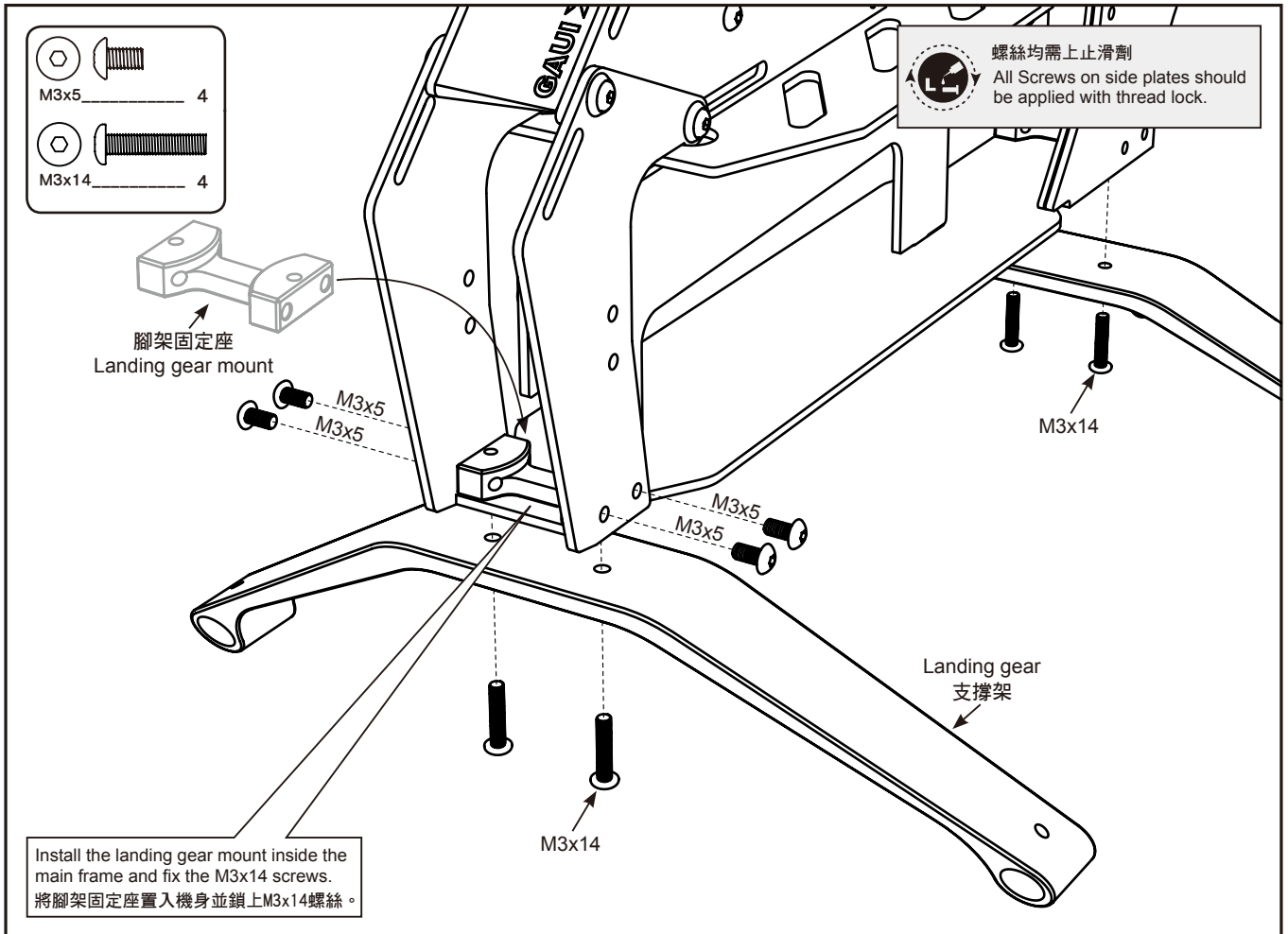


螺絲均需上止滑劑  
All Screws on side plates should be applied with thread lock.

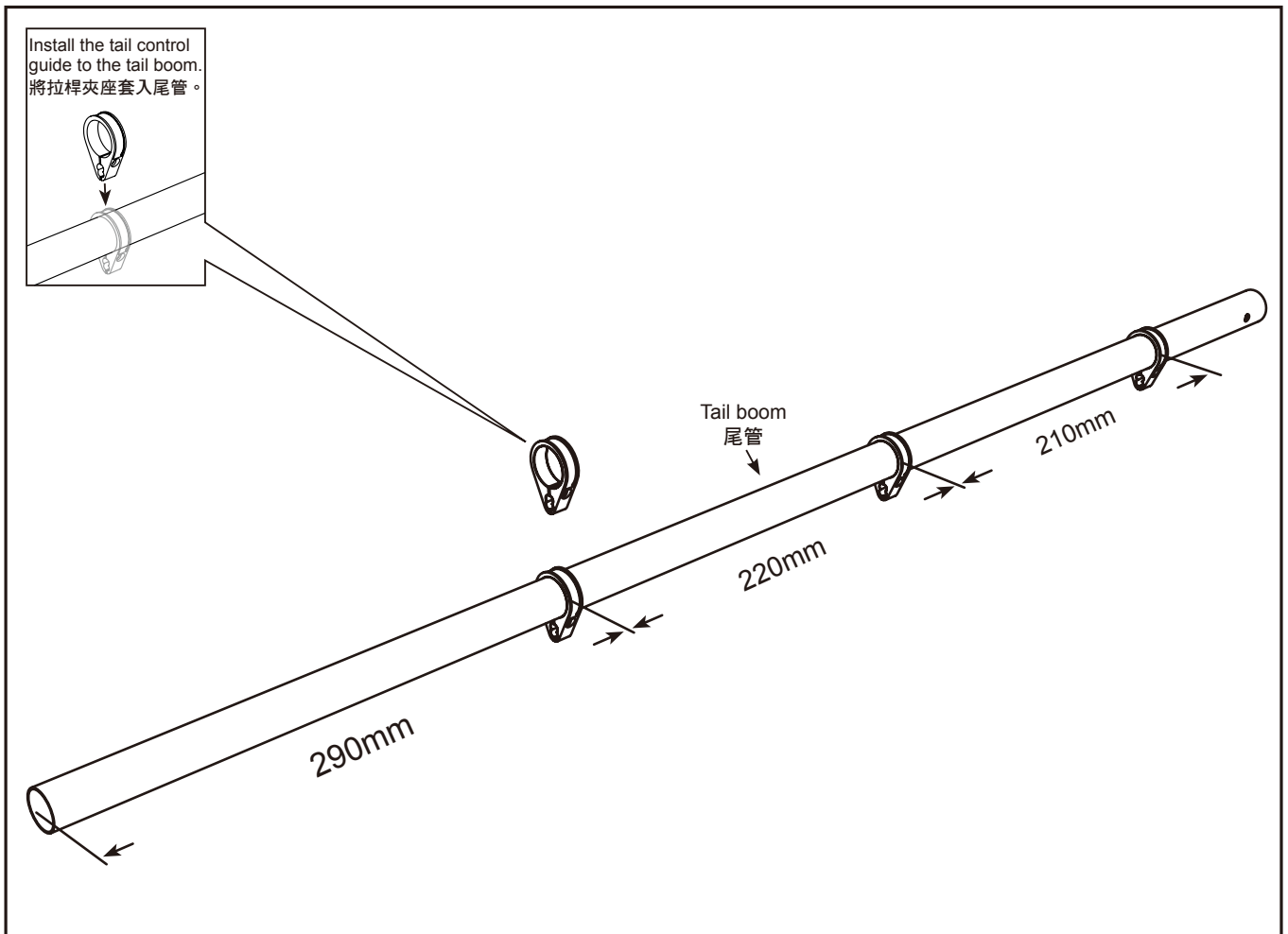
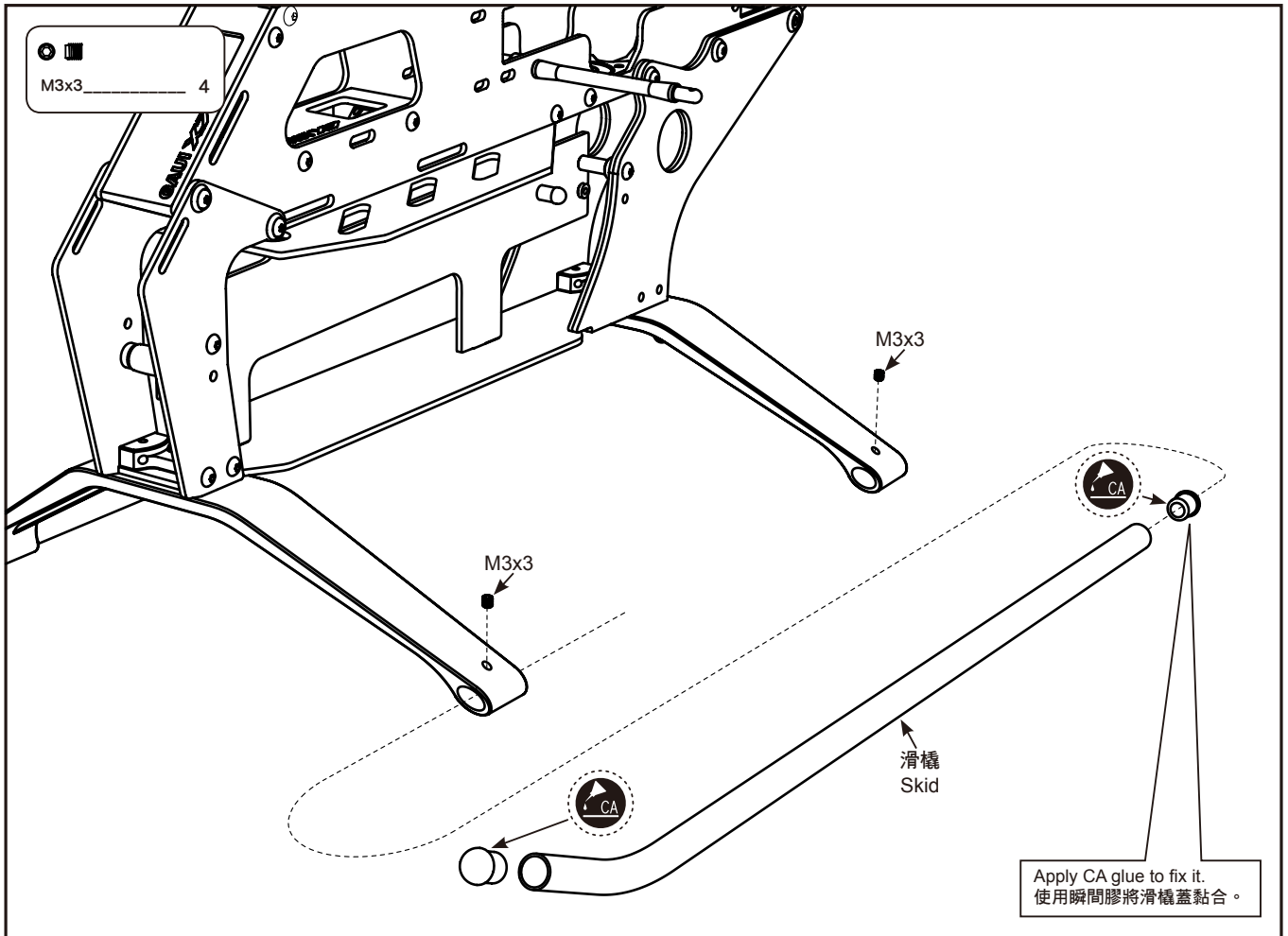


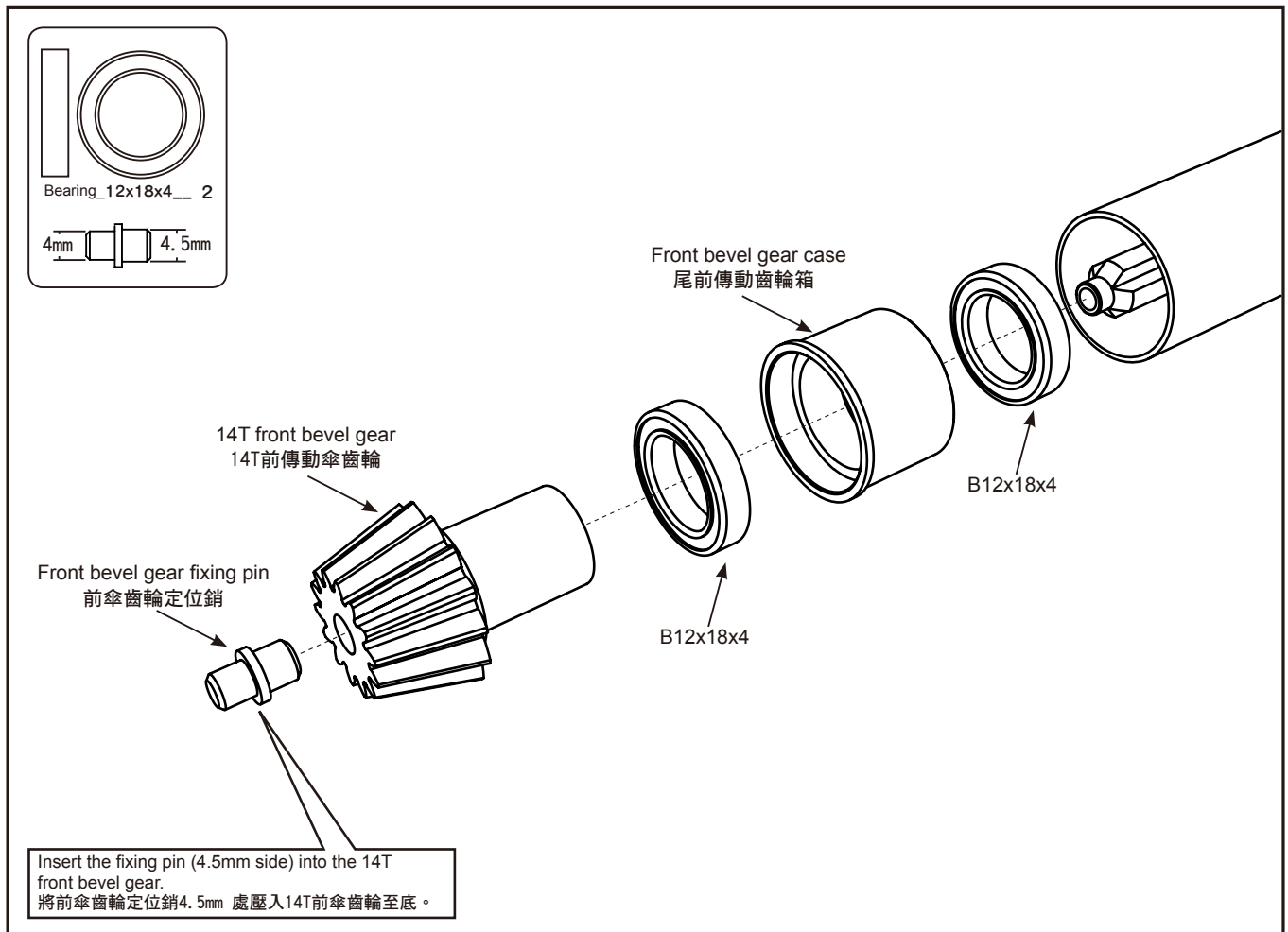
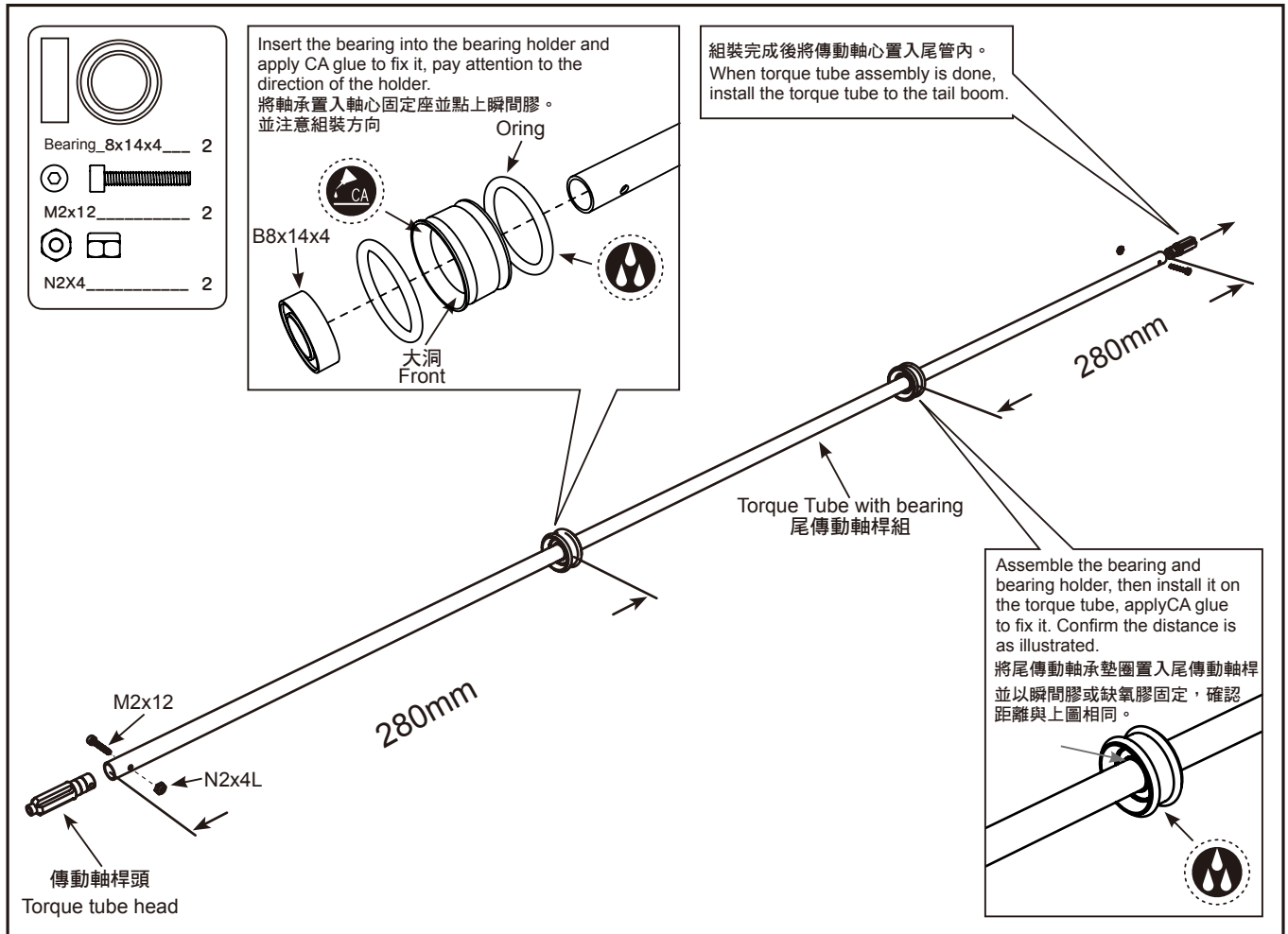












**Parts List:**

- M3x6 \_\_\_\_\_ 1
- M3x6 \_\_\_\_\_ 4
- P2x10 \_\_\_\_\_ 1
- Bearing\_6x13x5 \_\_\_\_\_ 2
- Bearing\_12x21x5 \_\_\_\_\_ 2

**Install the tail bevel gear into the tail gear case, and assemble the tail out shaft.**  
將尾傳動傘齒輪置入尾殼總成內並組裝尾軸。

**螺絲均需上止滑劑**  
All Screws should be applied with thread lock.

**Insert the P2x10 pin into tail driven bevel gear, fix it with M3x3 socket set screw.**  
將P2x10置入尾軸傘齒輪並以M3x3止付螺絲固定。

One-piece design tail gear case. 一體式尾殼

20T tail bevel gear 20T尾傘齒輪

20T tail driven bevel gear 20T尾傳動傘齒輪

Aligning hole 定位孔

Confirm the tail gear case is fixed by fixing the M3x6 screw into the aligning hole.  
將M3x6螺絲鎖入尾殼時請確認尾管定位孔鎖附位置相同。

**Parts List:**

- W3.1x4.6x1 \_\_\_\_\_ 2
- Bearing\_3x7x2 \_\_\_\_\_ 2
- M3x5 \_\_\_\_\_ 1
- M3x6 \_\_\_\_\_ 2
- P2.5x5.8 \_\_\_\_\_ 2
- M2x2 \_\_\_\_\_ 2

**螺絲均需上止滑劑**  
All Screws should be applied with thread lock.

Tail rotor control arm mount 尾舵柄座

Tail rotor control arm 雙推尾舵

Notice: Fix the tail rotor control arm with M3x5 screw.  
請注意：鎖附尾舵柄座時需使用M3x5螺絲。

When assembling tail rotor control arm, please assemble together with tail pitch slider (P.17).  
組裝雙推尾舵M3x5螺絲時請配合P.17組裝。

	M2x5	2
	M2x4.8x6.5	1
	Bearing_8x12x3.5	2
	M3x3	2
	P2x13	2

螺絲均需上止滑劑  
All Screws should be applied with thread lock.

Tail pitch slider  
雙推螃蟹夾座

Apply grease  
一般潤滑油

Tail rotor control arm mount  
舵柄

M2x4.8x6.5

M2x5

B8x12x3.5

M3x3

P2x13

If the tail pitch slider can not move smoothly, adjust the M3x5 screw on tail control arm mount.  
置入雙推螃蟹夾座後如作動不順暢，請重新調整P. 16雙推尾舵的M3x5螺絲。

	N3x5.5L	2
	Bearing_5x10x4	4
	W5.1x7x0.7	2
	T_5x10x4	2
	M2x10	2
	P2x2.95x4.3	2
	M4x4	1

螺絲均需上止滑劑  
All Screws should be applied with thread lock.

Do not over tighten the N3x5.5L screw, make sure the tail rotor head work smoothly.  
鎖緊N3x5.5L螺絲時勿過分鎖緊需保持機構順暢。

Apply thrust bearing grease  
止推軸承專用油

(L) 內徑較大 Bigger inner race  
(S) 內徑較小 Smaller inner race

N3x5.5L

B5x10x4

W5.1x7x0.7

T5x10x4

B5x10x4

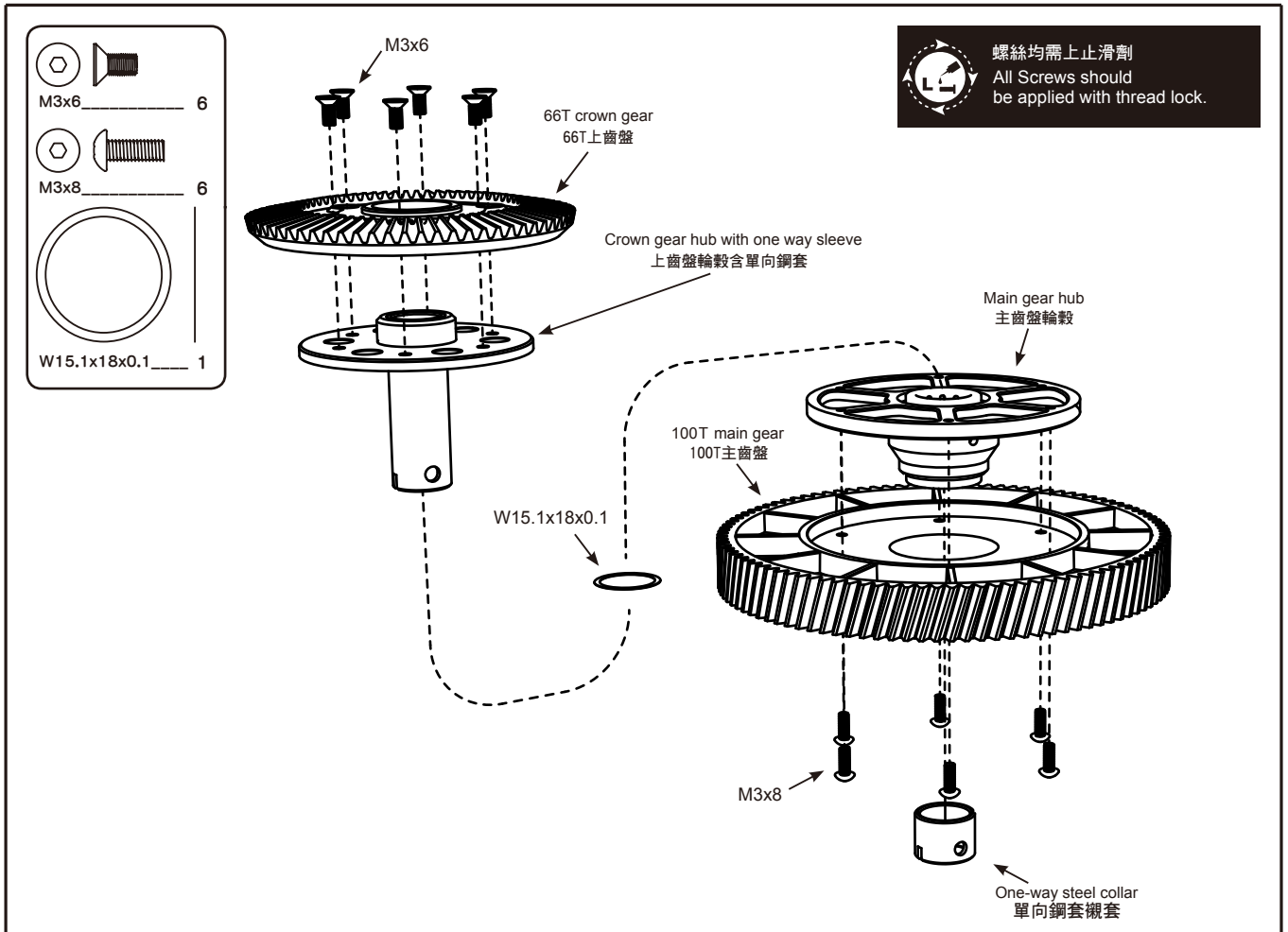
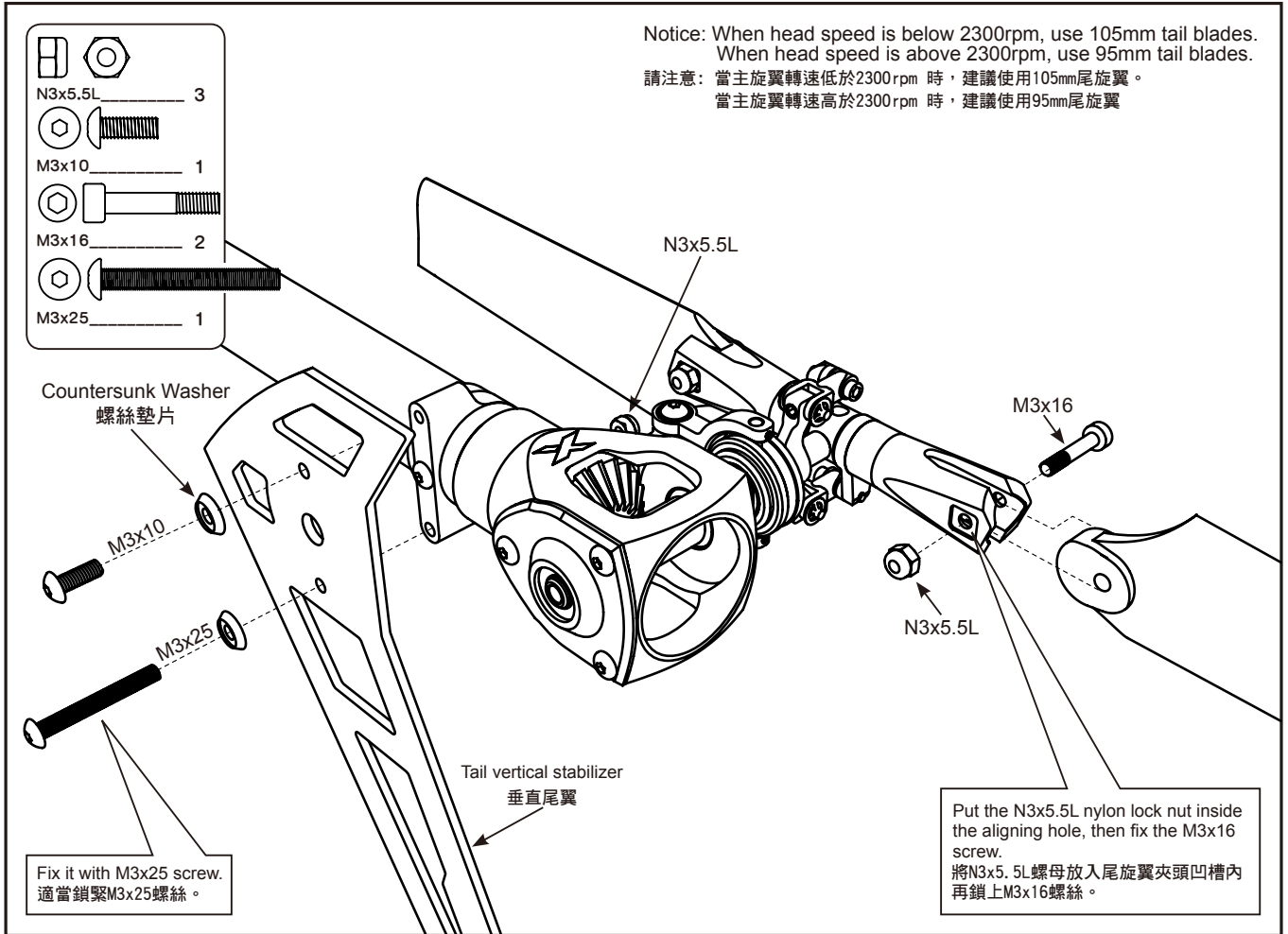
M2x10

M4x4

P2x2.95x4.3

Tail blade grip  
尾旋翼夾頭

Do not over tighten the M2x10 screw.  
鎖緊M2x10螺絲時不可過份鎖緊。



X7 One Way Main Gear Set (Strengthened Upgrade), it can withstand more the power and the demand of extreme 3D flights, therefore it has a different main gear set installation, the related steps are as described below.

Attention:

1. One should use proper washers of different thickness on top & bottom of the Main Gear assembly (indicated by the arrows).
2. When assembly is completed, one must double check again, that the 66T crown gear & 14T tail transmission gear mesh is properly adjusted, main gear assembly has no gap on top & bottom.

可因應更高的動力及各種3D飛行需求，不同於其他X7系列機種的主齒盤安裝方式，相關步驟如下。  
安裝過程請注意：

1. 將適當的華司組裝至主齒盤上下方
2. 組裝完成後請再次確認，66T傘齒盤與14T尾傳動齒咬合順暢，主齒盤上下無間隙。

ATTENTION: Very Important!

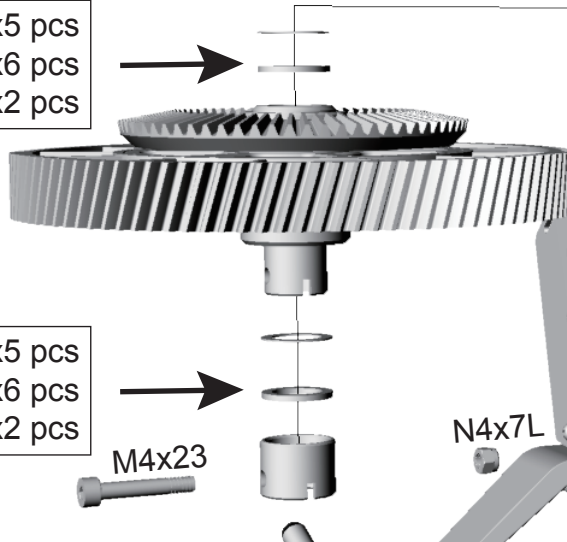
Use a stick as a tool, squeeze the grease into the bearing, make sure the needles of the one-way bearing is completely surrounded with grease.

請注意:非常重要

使用圓棒將單向軸承油，完全擠壓入針腳隙縫內，使單向軸承完全填滿單向軸承油。

W12.1x17x0.2 x5 pcs  
W12.1x17x0.3 x6 pcs  
W12.1x17x1.2 x2 pcs

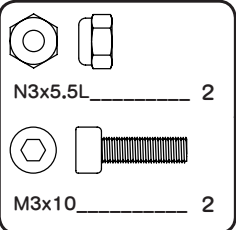
W12.1x17x0.2 x5 pcs  
W12.1x17x0.3 x6 pcs  
W12.1x17x1.2 x2 pcs



Main Gear Assembly-1

主齒盤組裝- 1

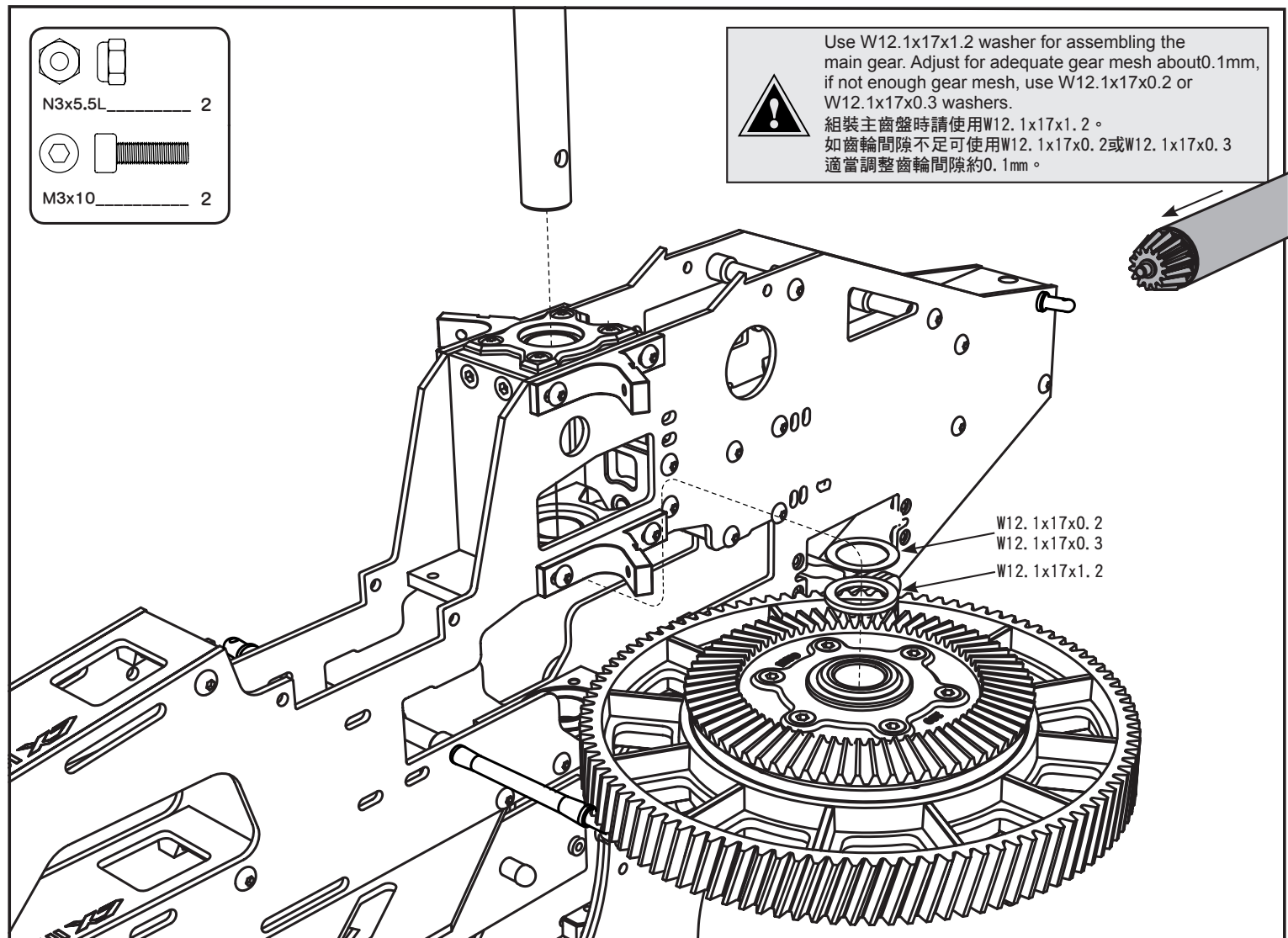
GAUI TAI SHIH HOBBY CORPORATION



Use W12.1x17x1.2 washer for assembling the main gear. Adjust for adequate gear mesh about 0.1mm, if not enough gear mesh, use W12.1x17x0.2 or W12.1x17x0.3 washers.

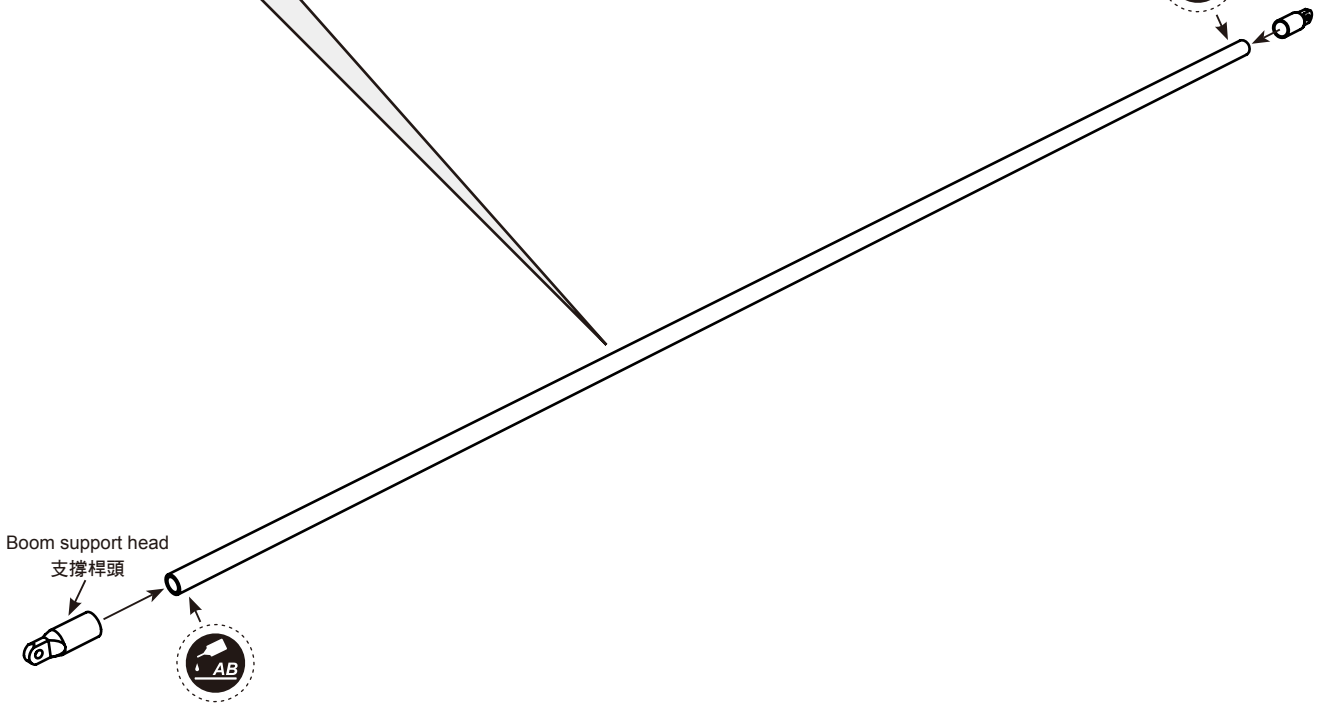
組裝主齒盤時請使用W12.1x17x1.2。  
如齒輪間隙不足可使用W12.1x17x0.2或W12.1x17x0.3  
適當調整齒輪間隙約0.1mm。

W12.1x17x0.2  
W12.1x17x0.3  
W12.1x17x1.2



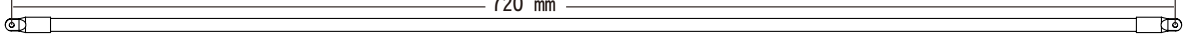


Assemble two tail boom support sets, apply epoxy glue on both sides of the boom support, confirm the direction of the head.  
製作兩支尾支撐桿，使用AB黏著劑黏合兩端的支撐桿頭並確認黏合時需呈同方向(1-1)。

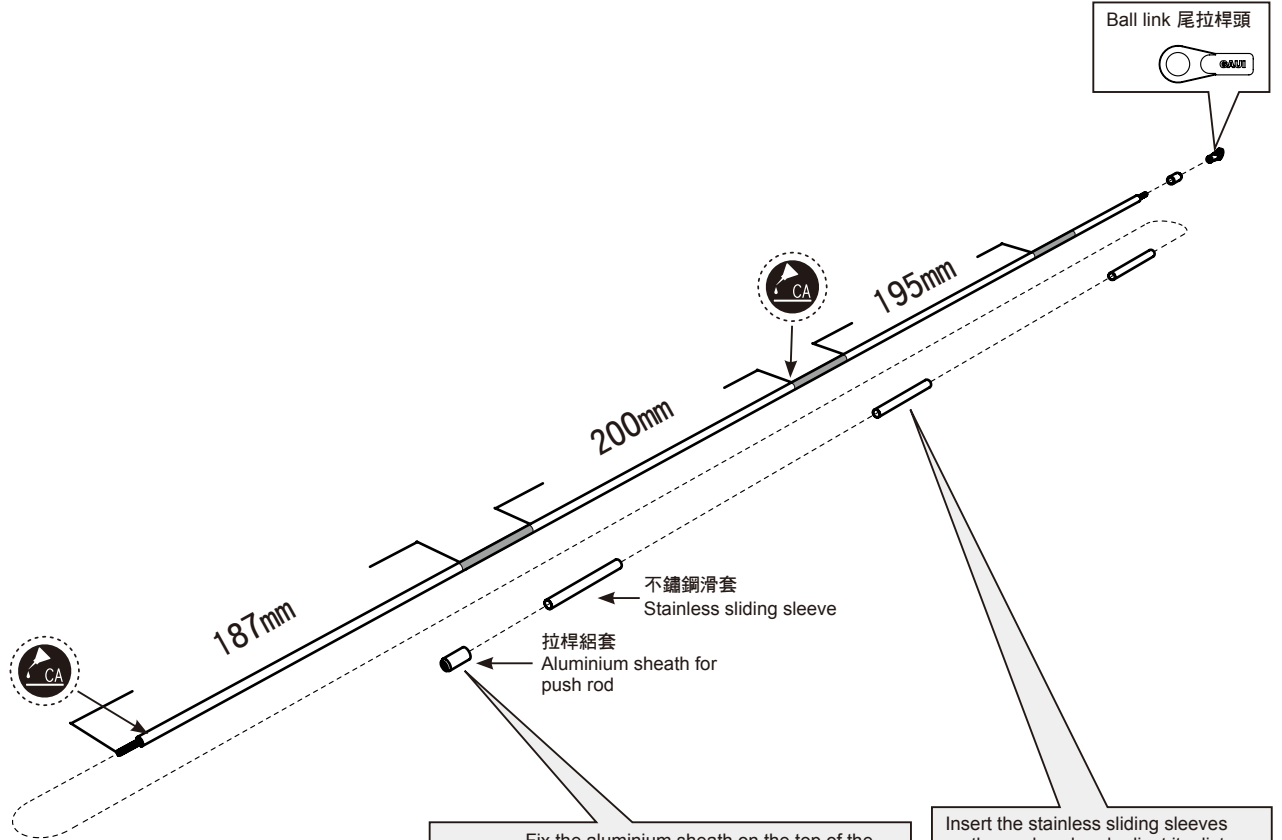
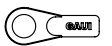


1-1

720 mm

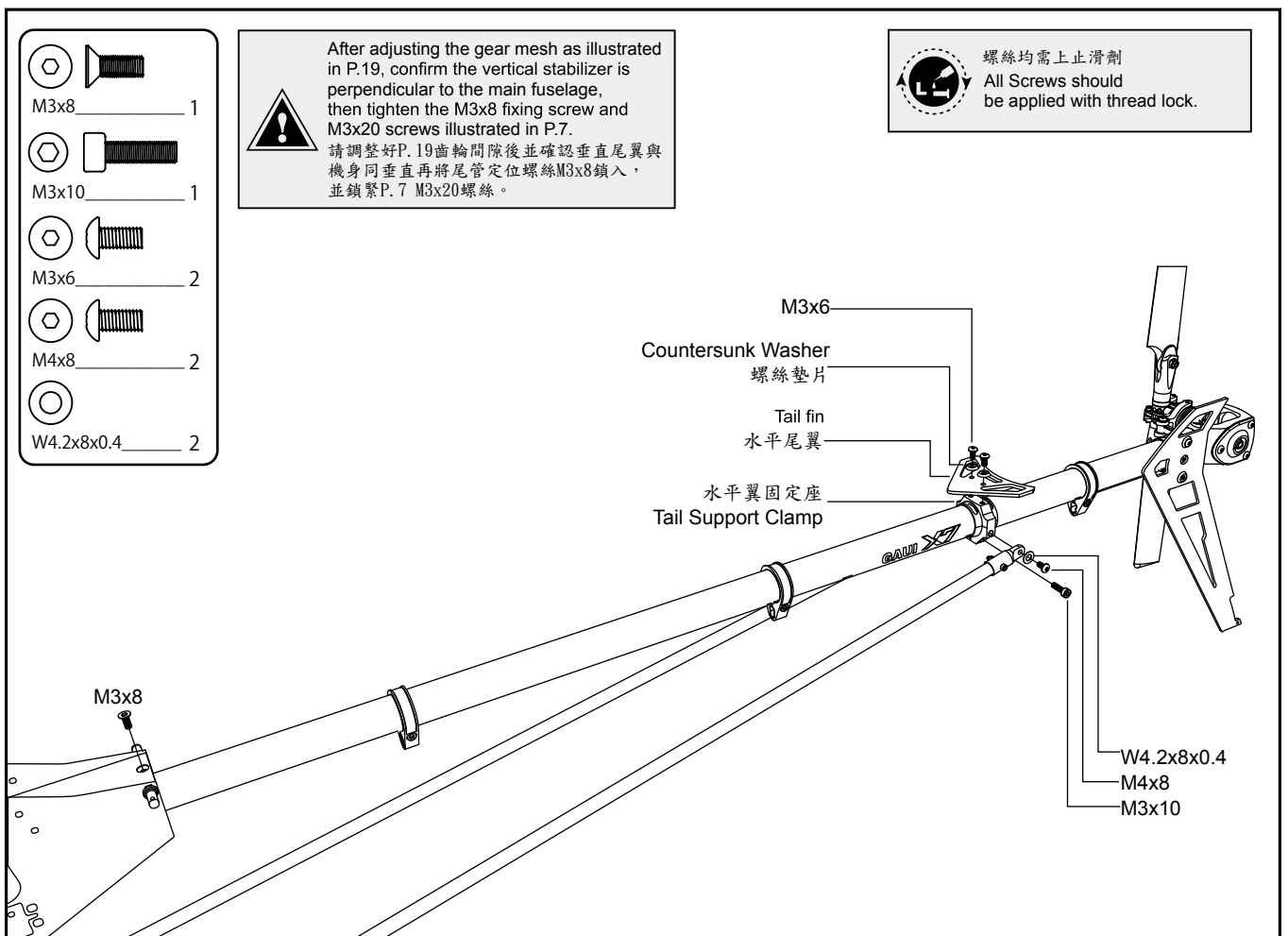
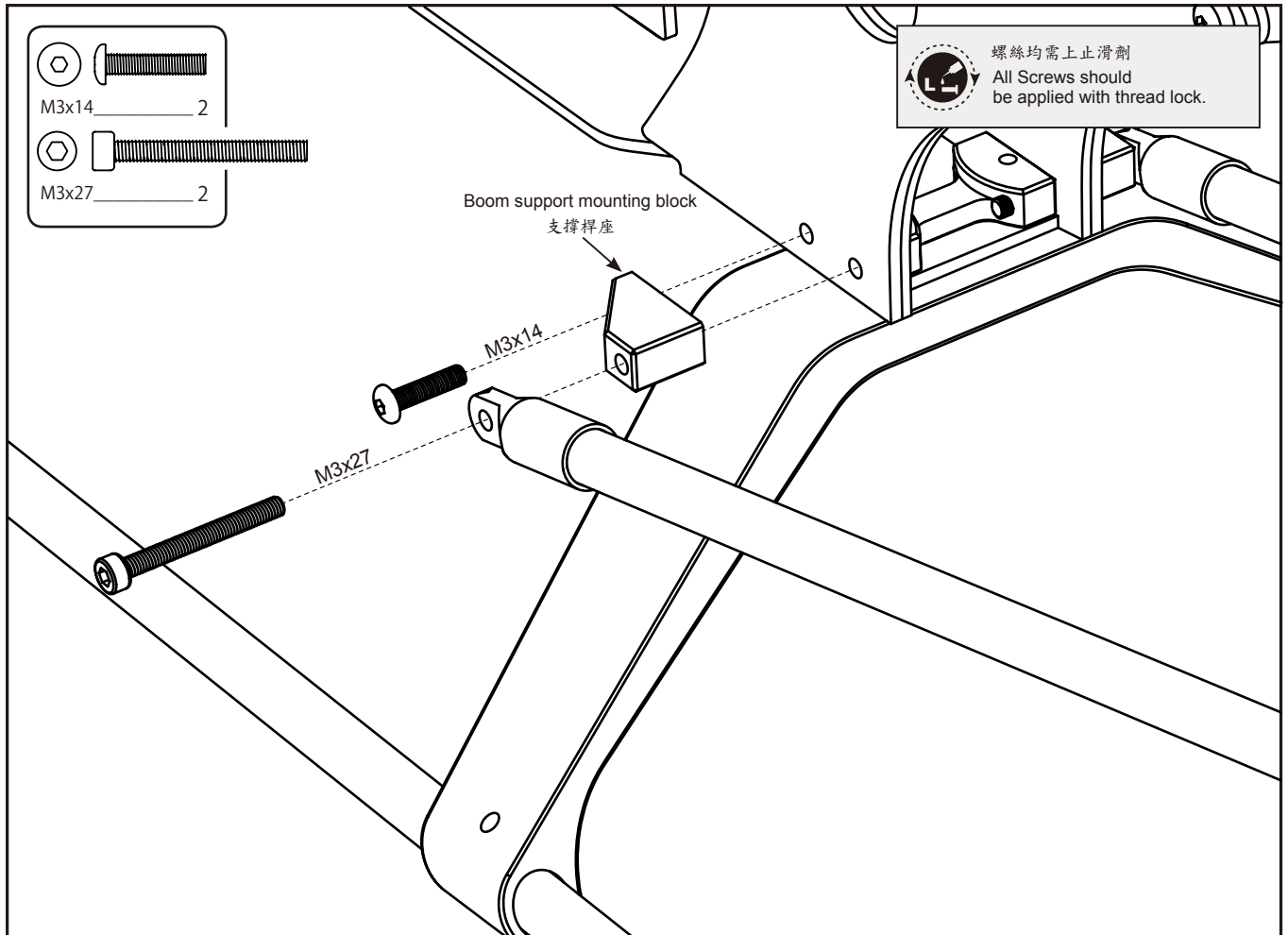


Ball link 尾拉桿頭

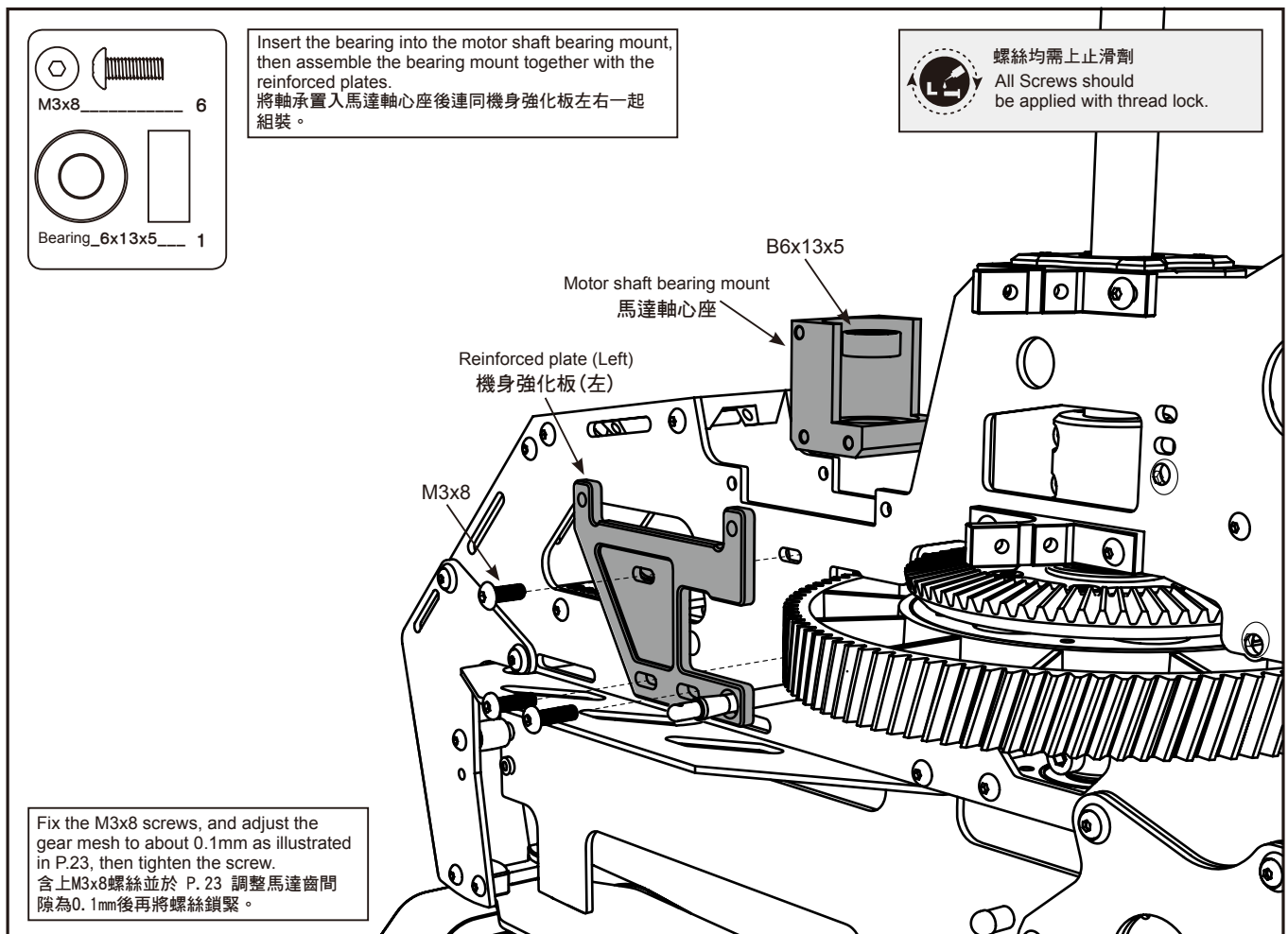
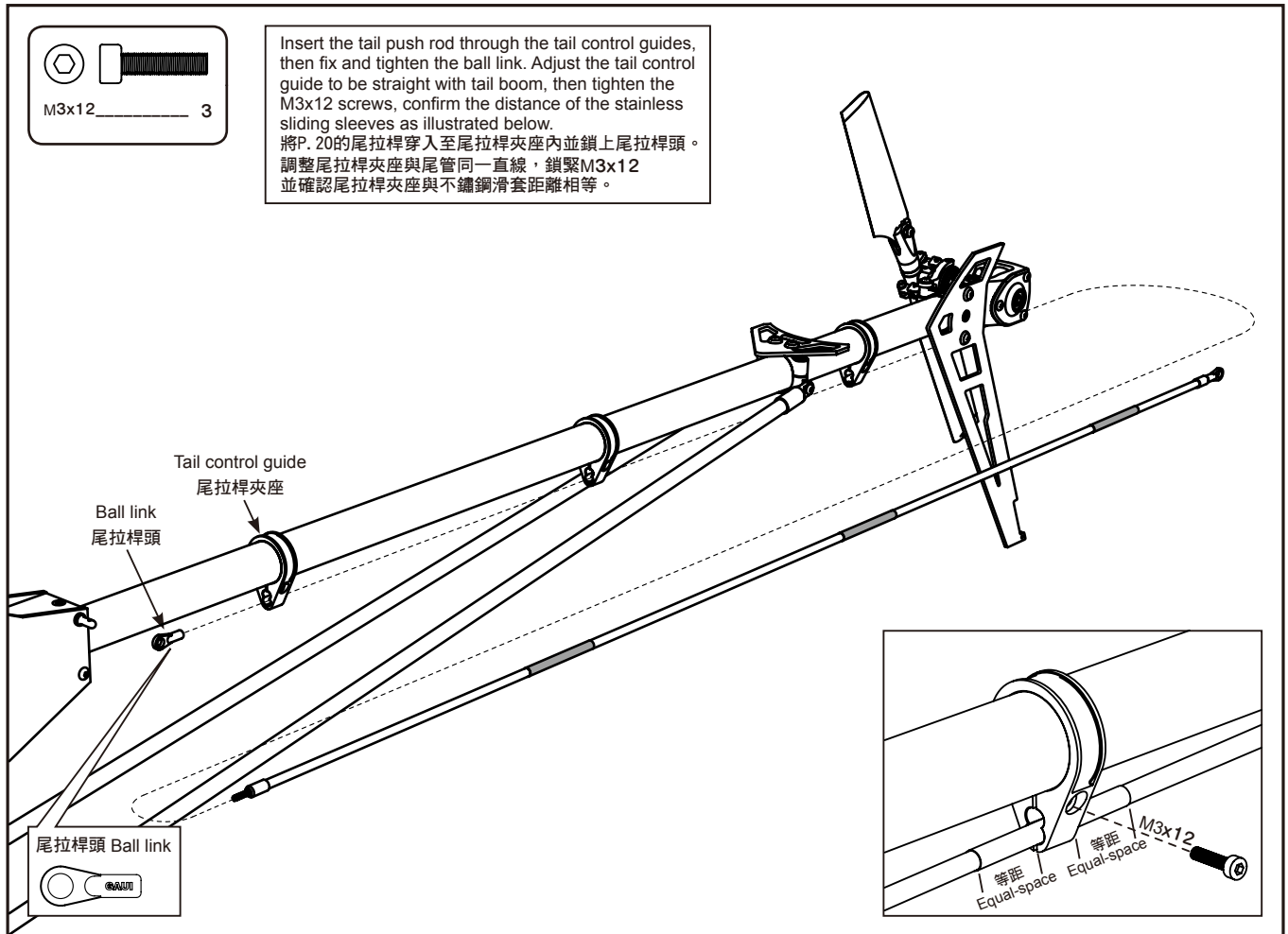


Fix the aluminium sheath on the top of the push rod by applying CA glue on it. Install and tighten the ball link for push rod.  
使用瞬間膠將拉桿鋁套固定於拉桿前端處，鎖上尾端的尾拉桿頭。

Insert the stainless sliding sleeves on the push rod and adjust its distance as illustrated, then apply CA glue for fixing it.  
將不鏽鋼滑套入尾拉桿內並調整至相同距離後使用瞬間膠黏合。







	M4x4	2
	M3x8	2
	M4x8	4

After assembling the motor set, adjust the M4x8 screw for making the gear mesh about 0.1mm.  
組裝完成後可調整M4x8螺絲使齒輪間隙為0.1mm。

	M3x8	6
--	------	---

螺絲均需上止滑劑  
All Screws should be applied with thread lock.

After confirming the gear mesh, install the motor set to the main fuselage. Countersunk Washers  
確認齒輪間隙為0.1mm後將馬達做總成組裝機身。

M5x12 \_\_\_\_\_ 2

M3x12 \_\_\_\_\_ 1

M4x8 \_\_\_\_\_ 2

Balls M3x4.8x7.5\_ 2

Bearing\_10x19x5\_ 4

T\_10x18x5.5 \_\_\_\_\_ 2

W5x13x1.2 \_\_\_\_\_ 2

W10.2x16x1 \_\_\_\_\_ 4

Oring\_9.9x17x8.5\_ 2

When assembling the rotor head, you can adjust for adequate mesh with W10.2x16x1 or W10.2x16x0.8 washers.  
組裝主旋翼夾頭時可調整 W10.2x16x1 為W10.2x16x0.9或W10.2x16x0.8等至適當間隙

Apply thrust bearing grease. 止推軸承專用油:

內徑較小 Smaller inner race (S)

內徑較大 Bigger inner race (L)

Stop plate 煞車盤

Spindle 主旋翼橫軸

M3x12

W10.2x16x1

B10x19x5

Main blade grip 主旋翼夾頭

Balls M3x4.8x7.5

O ring 85°

W5x13x1.2

M5x12

主旋翼夾頭舵柄 Main blade grip control arm. T10x18x5.5

W10.2x16x1

B10x19x5

M4x8

Tighten with adequate torque, do not strip the screw. 請適當鎖緊不可滑牙。

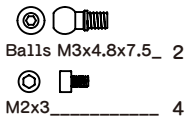
Bearing3x6x2.5\_ 4

M3x6 \_\_\_\_\_ 6

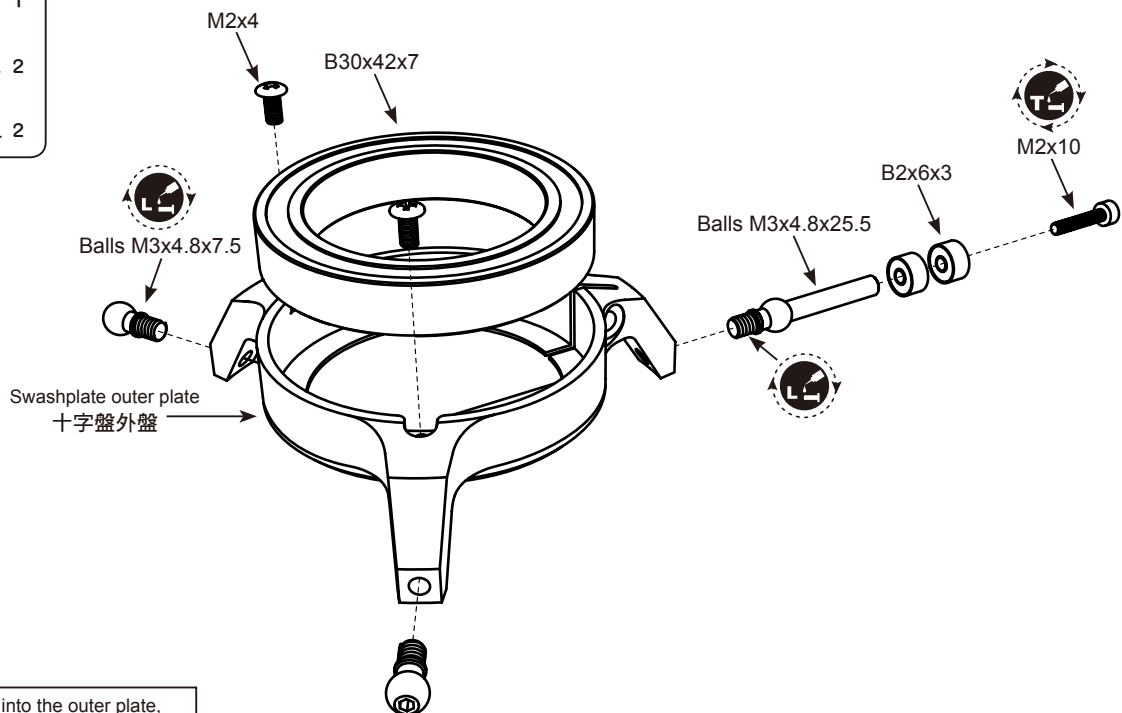
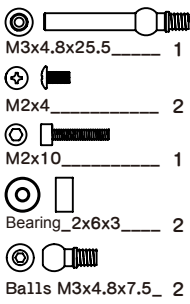
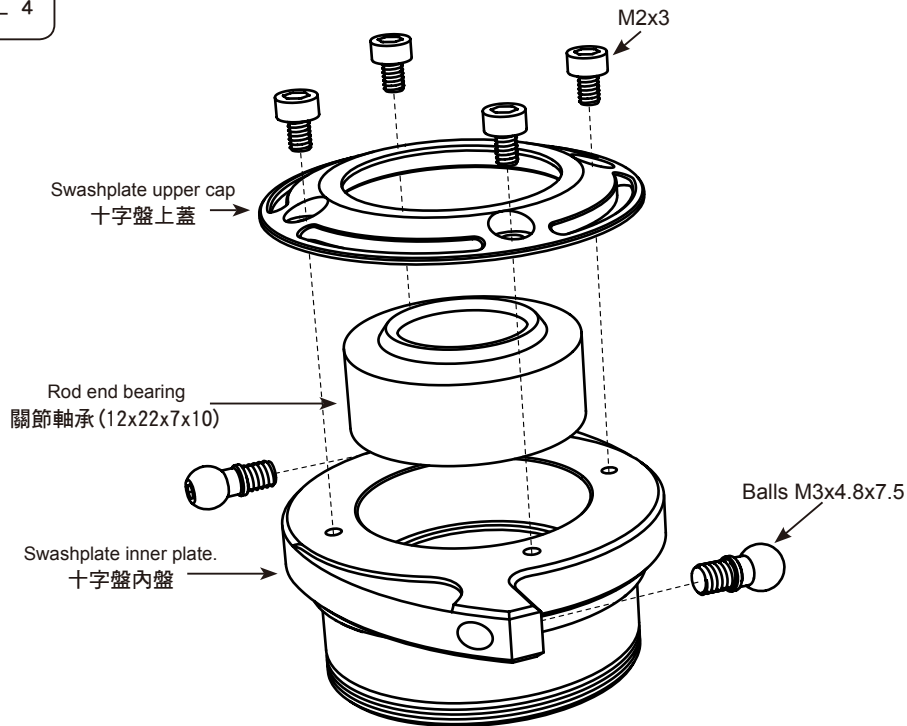
W3.1x4.6x0.6 \_\_\_\_\_ 6

Assemble 2 sets of washout arm.  
製作兩組主旋翼頭定位器組。

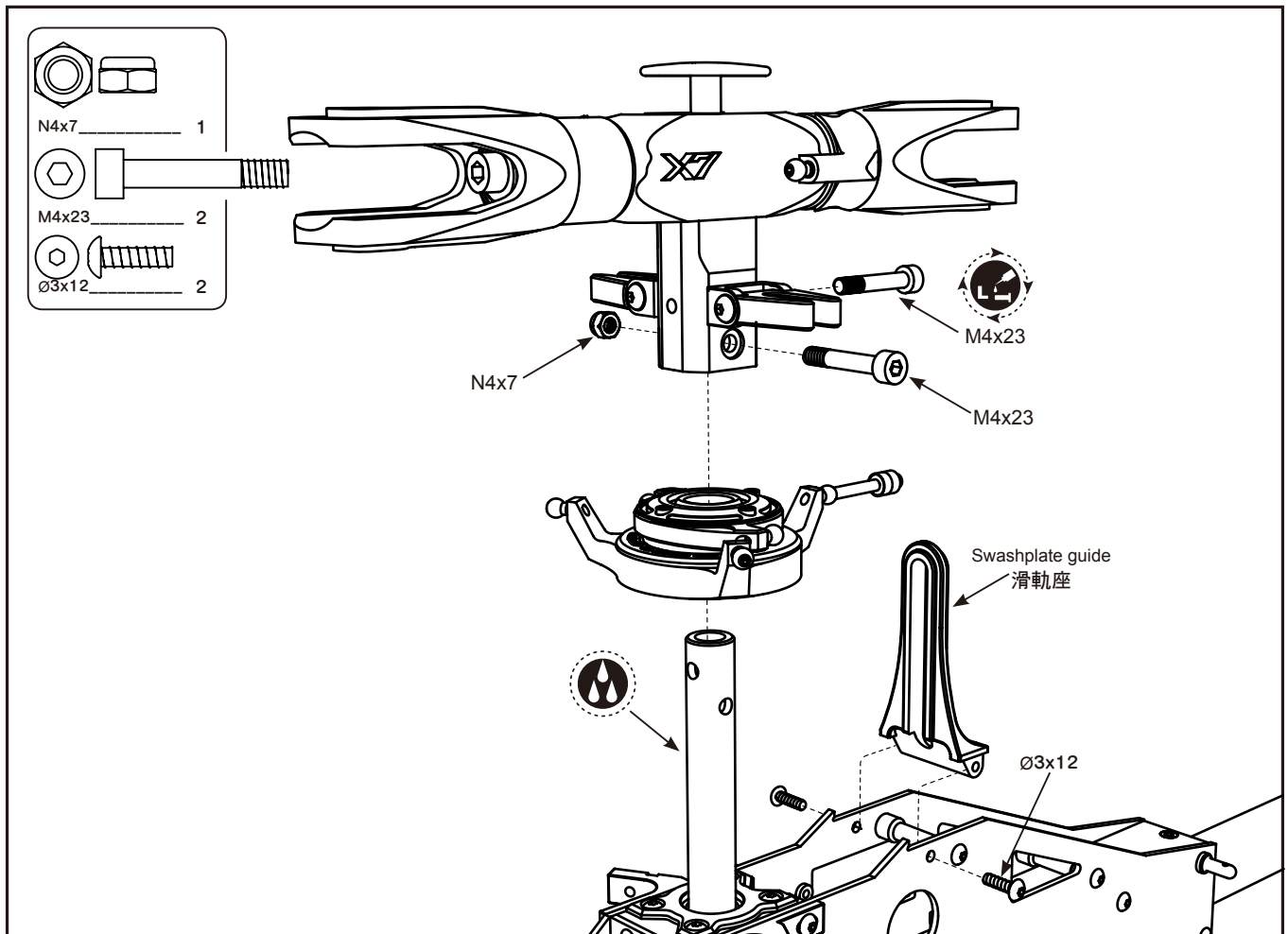
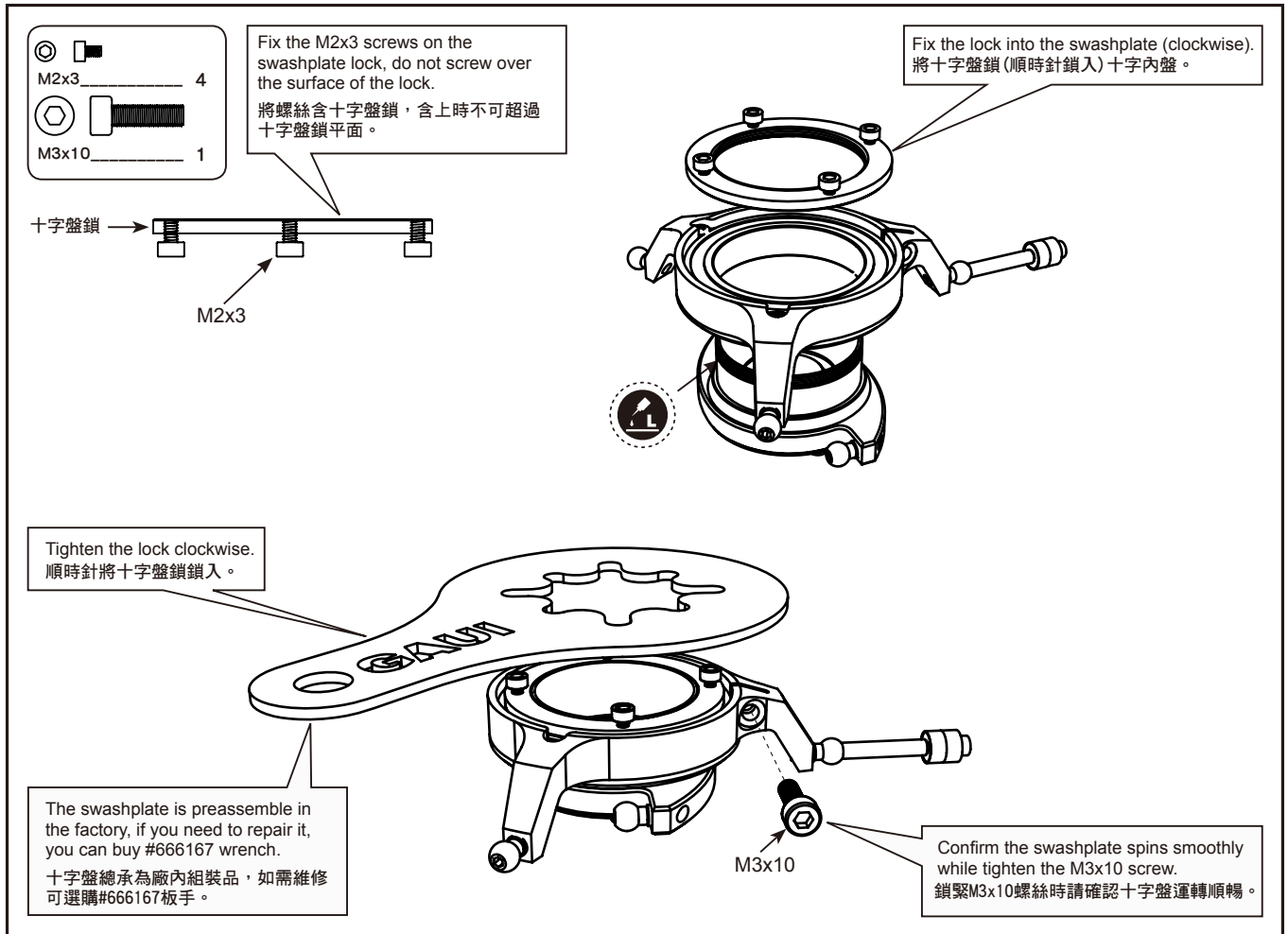
M3x6

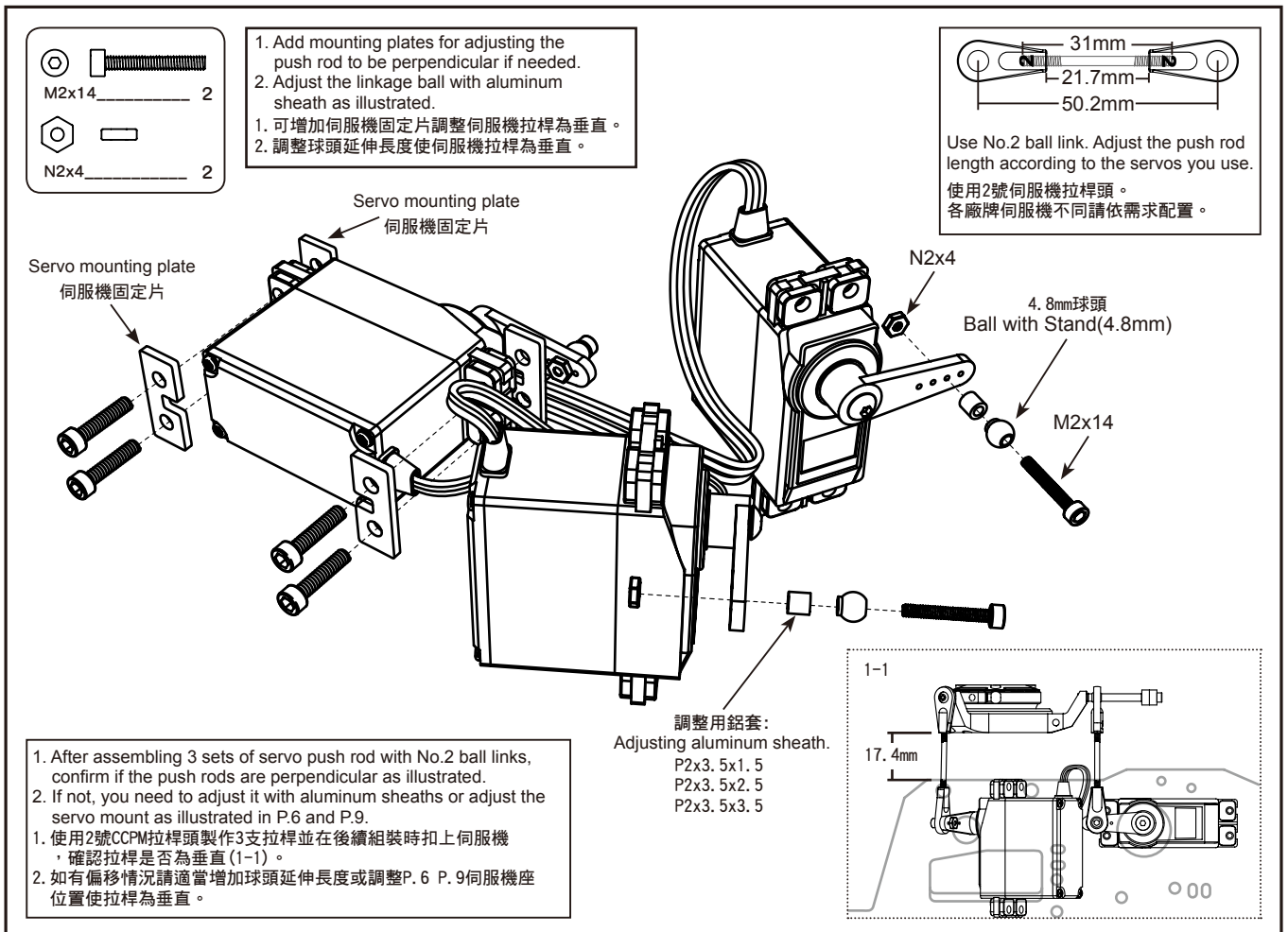
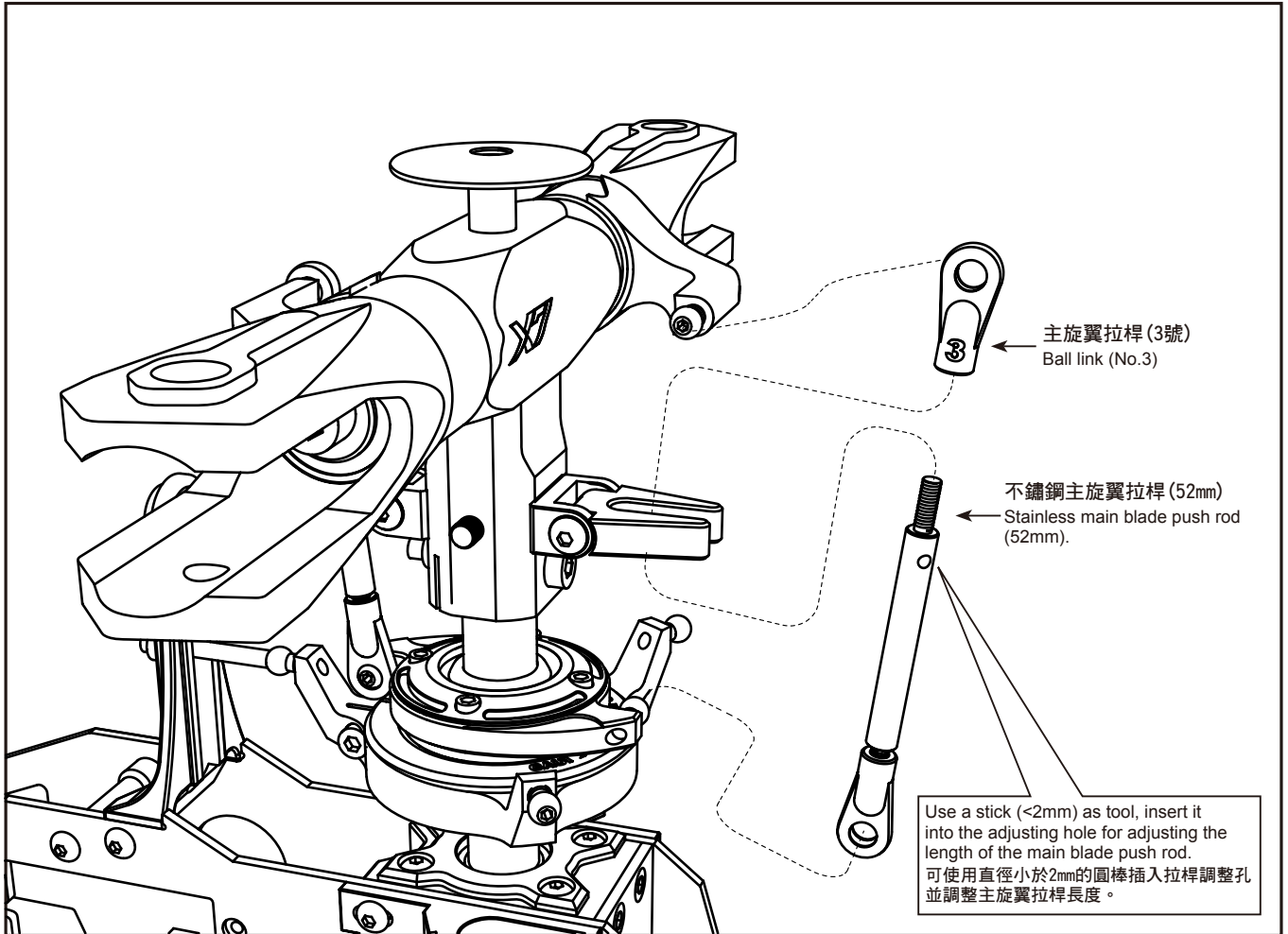


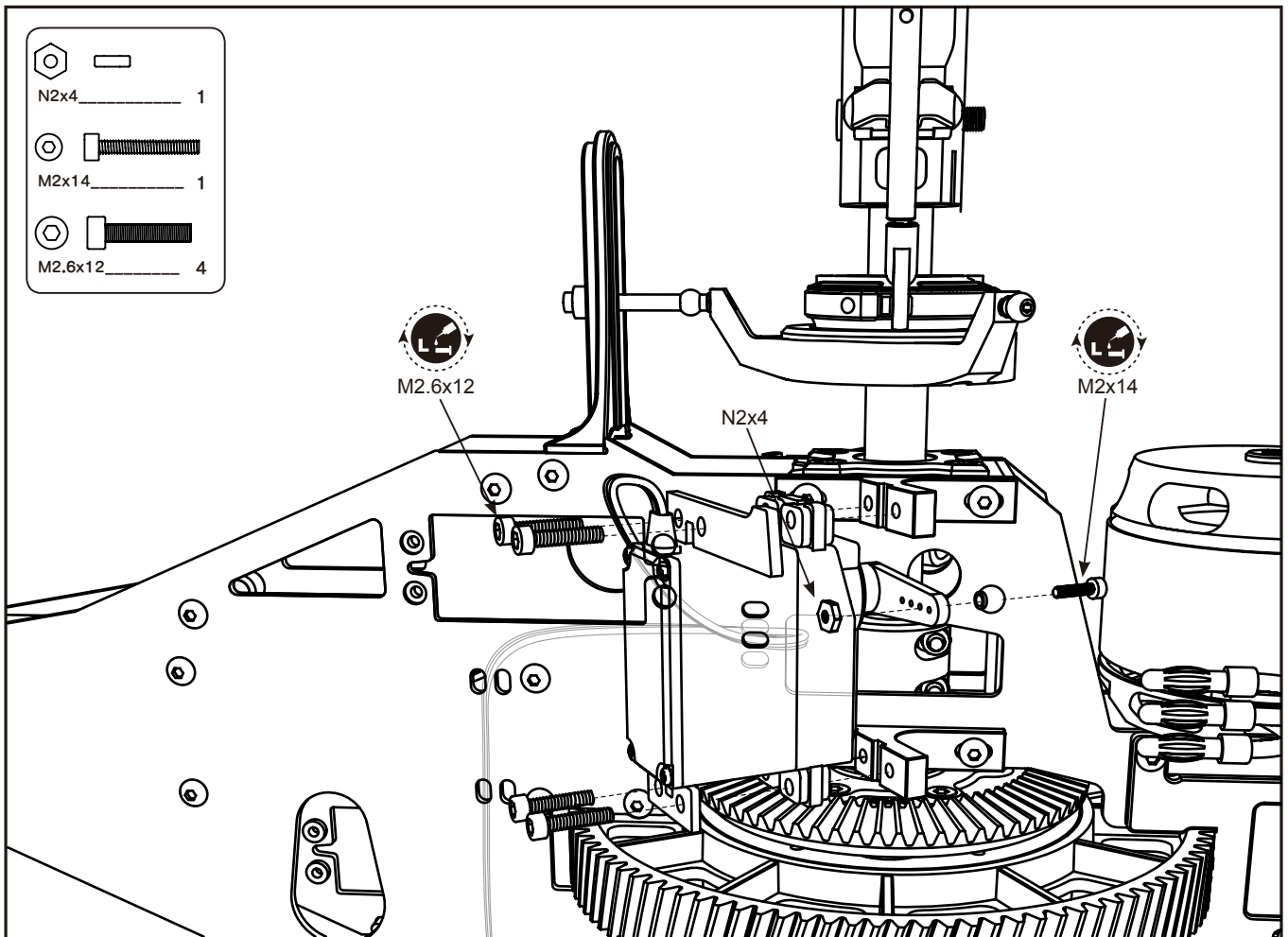
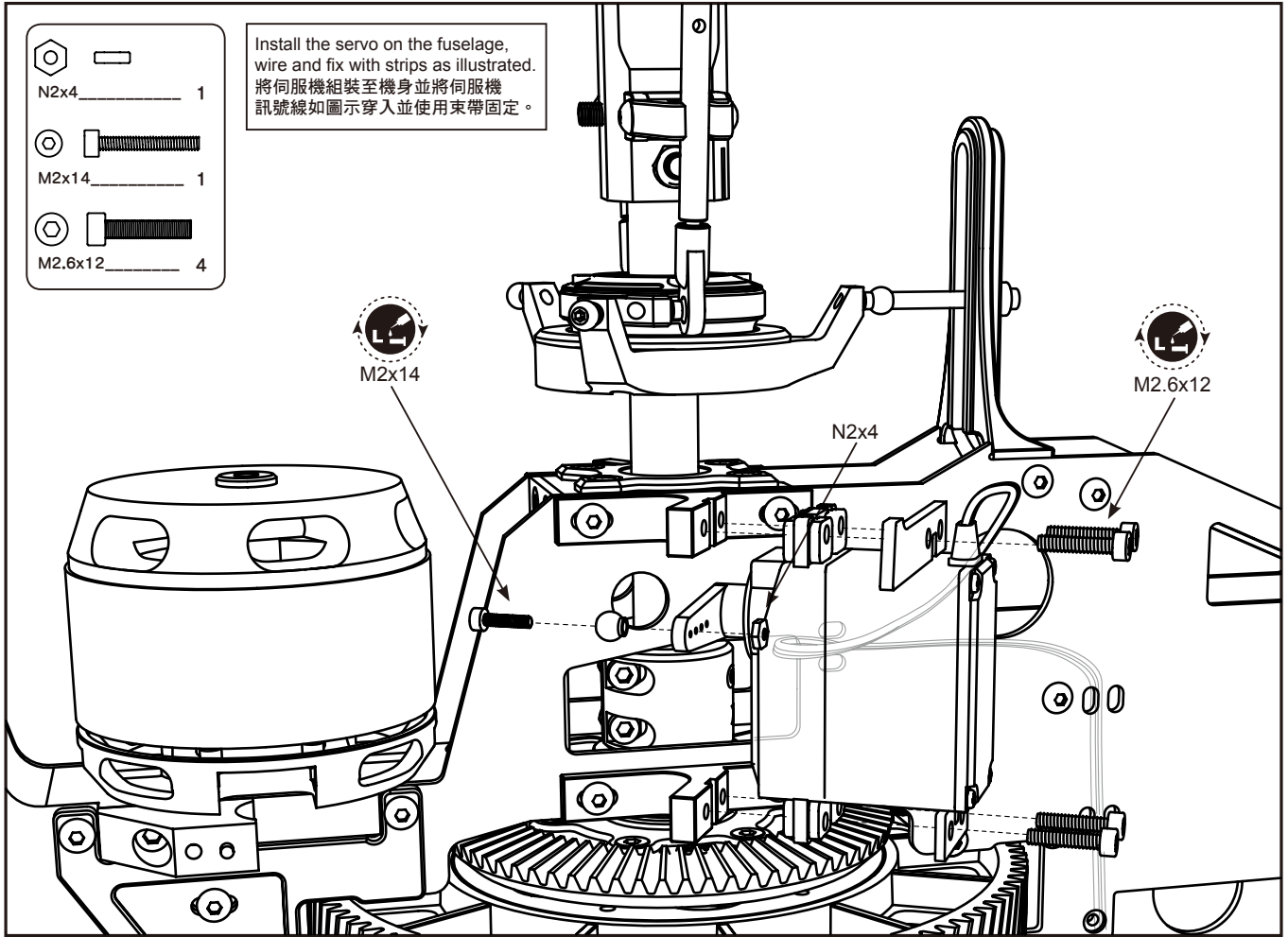
螺絲均需上止滑劑  
All Screws should be applied with thread lock.

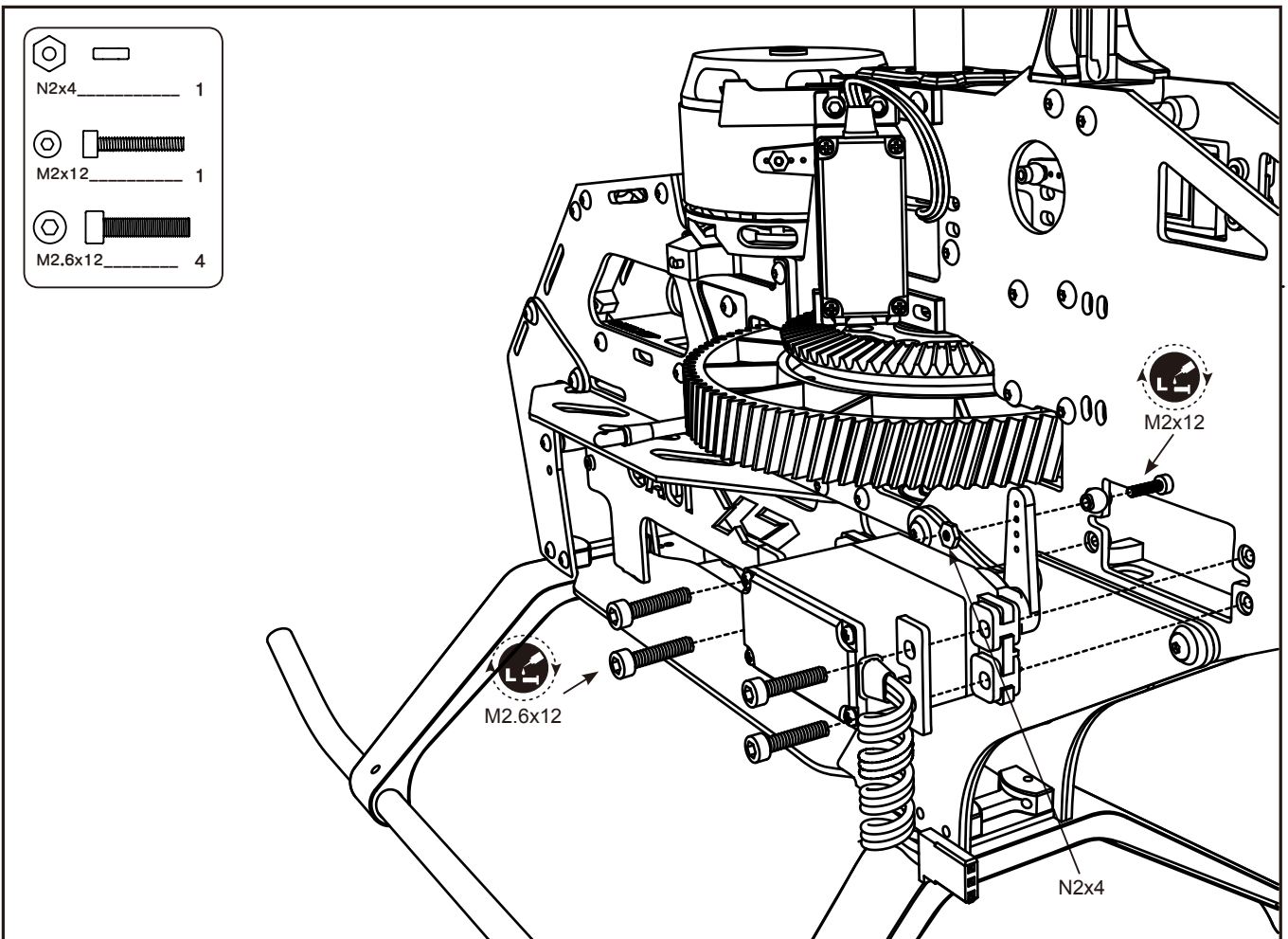
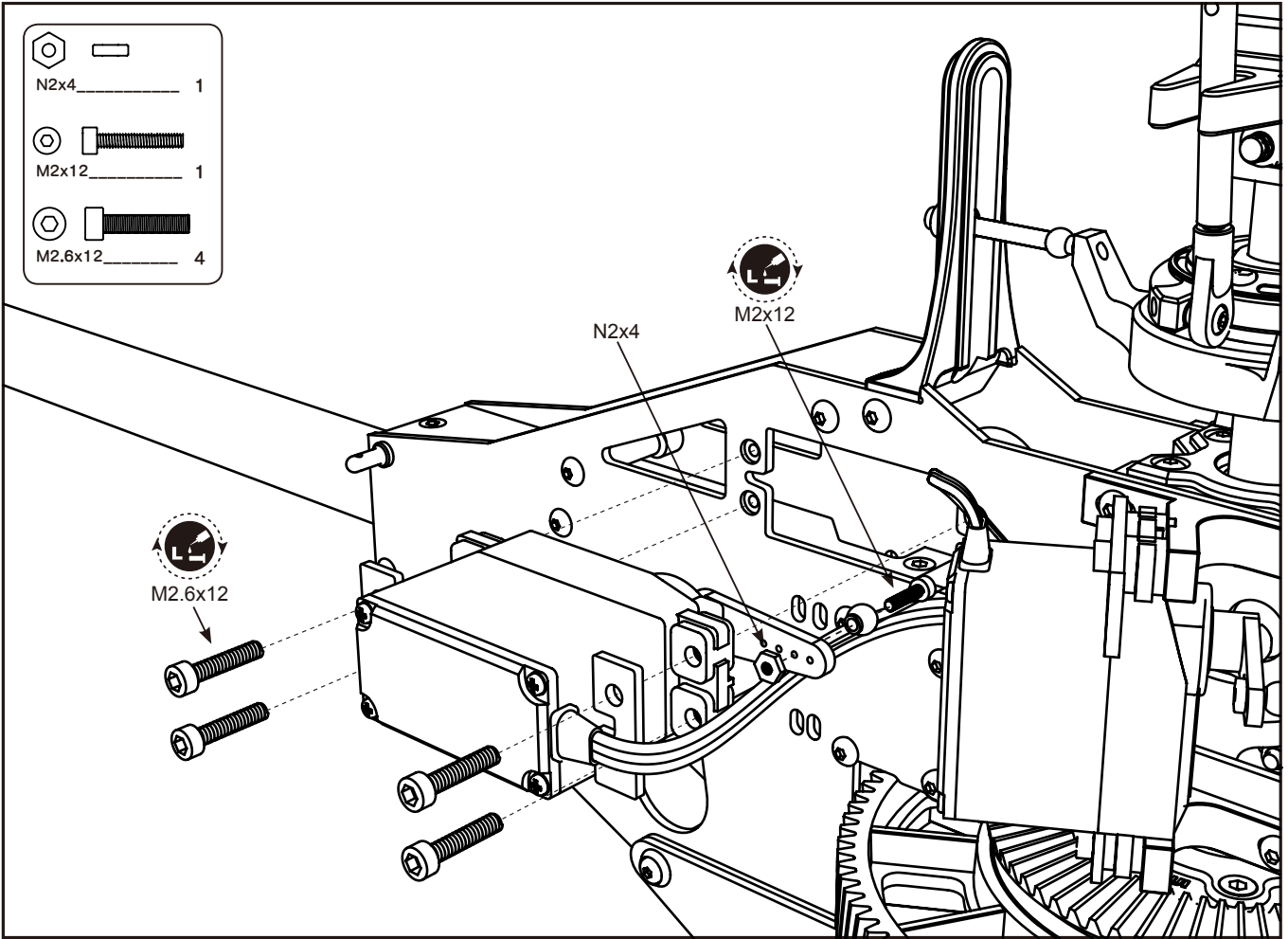


Press the bearing into the outer plate,  
then tighten the M2x4 screws.  
將軸承壓入十字外盤並鎖上M2x4螺絲。

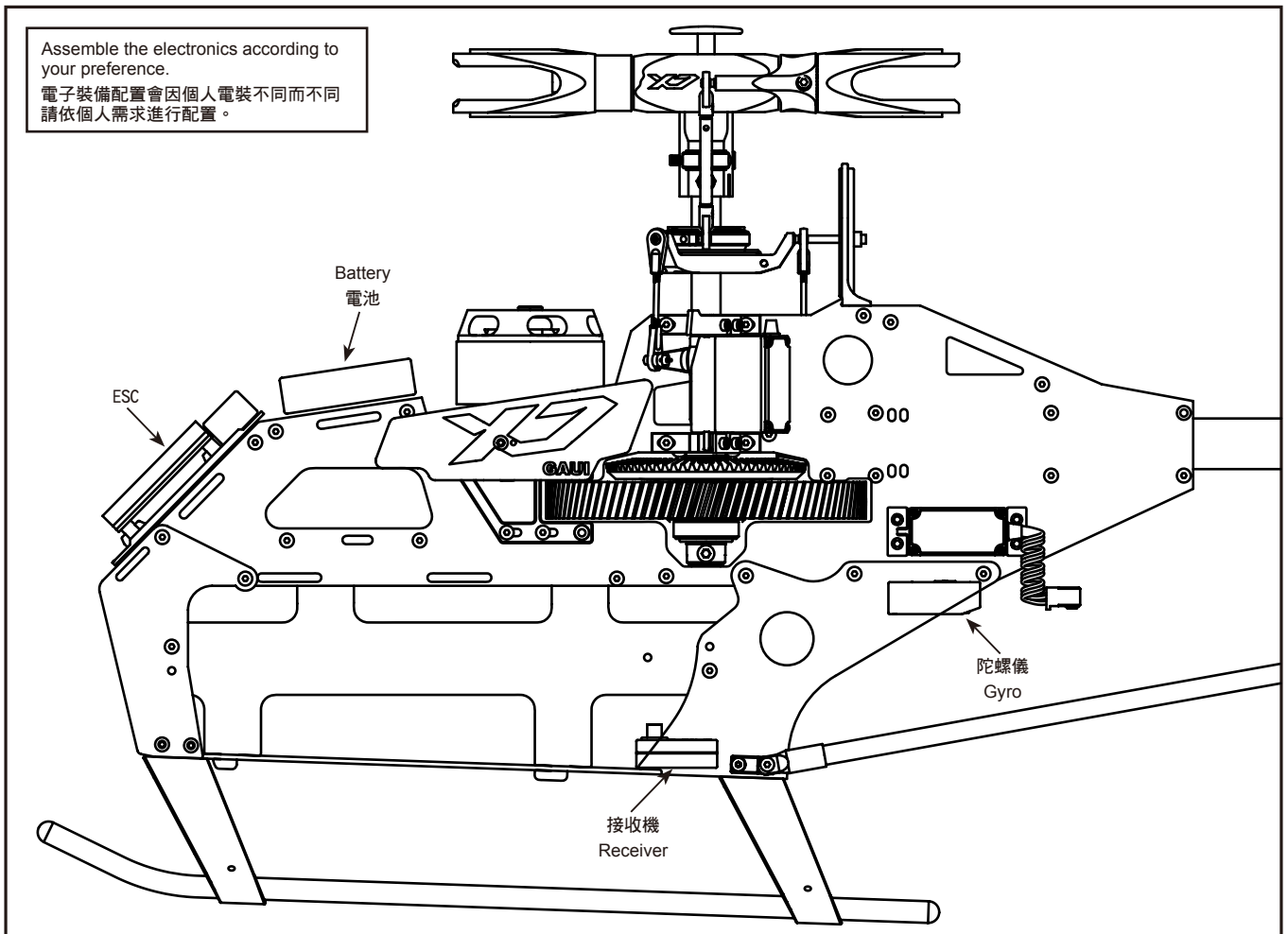
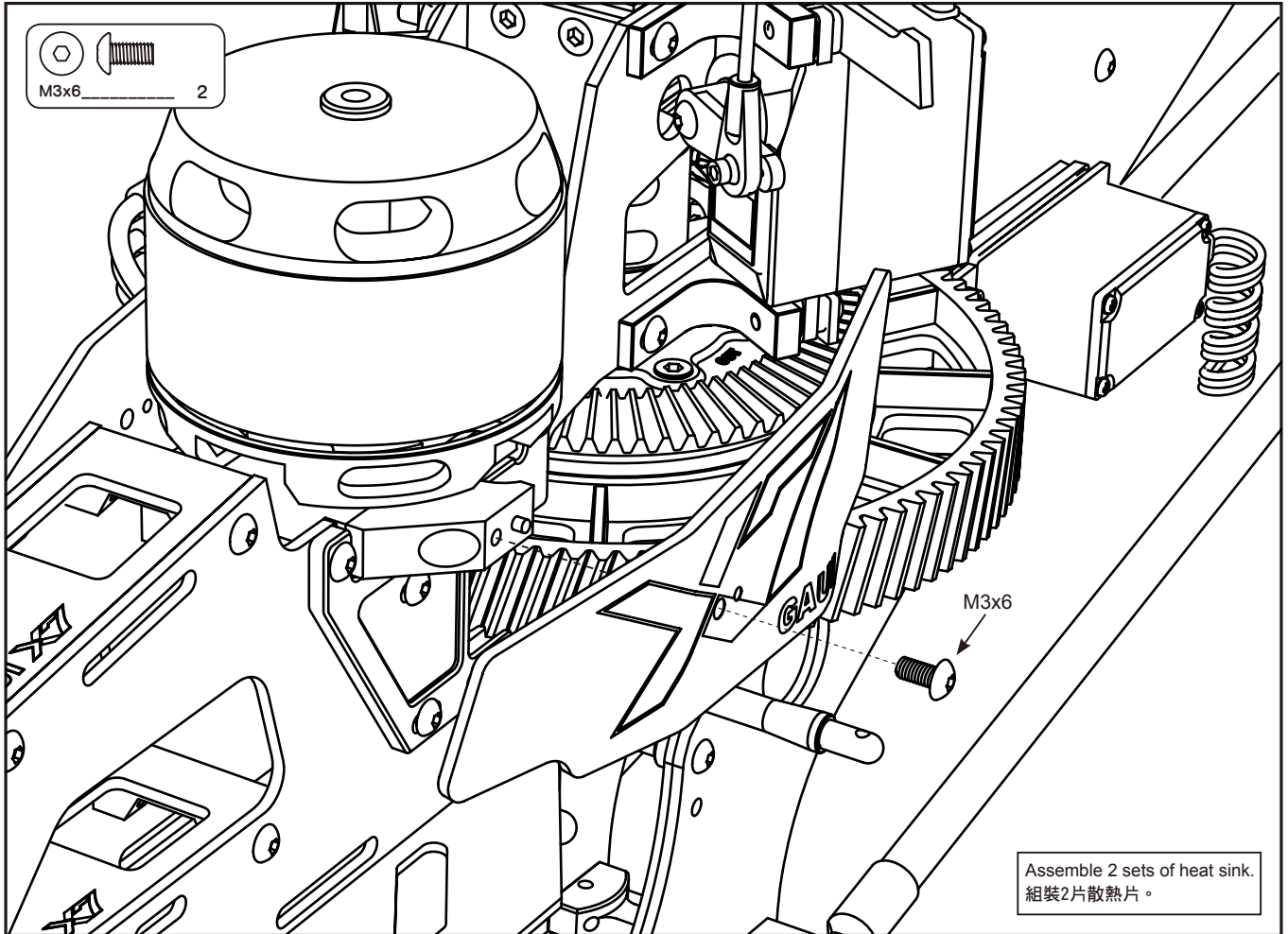












1. When using 44.4V batteries and 440KV motor, motor RPM is 19536.
2. When using 44.4V batteries and 500KV motor, motor RPM is 22200.
1. 使用440KV馬達與44.4V電池得到馬達轉速為:19536rpm
2. 使用500KV馬達與44.4V電池得到馬達轉速為:22200rpm

Notice: When head speed is below 2300rpm, use 105mm tail blades.  
 When head speed is above 2300rpm, use 95mm tail blades.  
 請注意: 當主旋翼轉速低於2300rpm 時, 建議使用105mm尾旋翼。  
 當主旋翼轉速高於2300rpm 時, 建議使用95mm尾旋翼

Formula for Calculations				計算公式					
Battery Voltage	×	Motor	=	Motor RPM	電池伏特	×	馬達 KV	=	馬達轉速
Main Gea	÷	Motor Pinion Gear	=	Main Rotor Gear Ratio	主齒盤齒數	÷	馬達齒數	=	主旋翼齒輪比
Motor RPM	÷	Main Rotor Gear Ratio	=	Head Speed	馬達轉速	÷	主旋翼齒輪比	=	主旋翼轉速
Tail Driven Gear	÷	Tail Bevel Gear	=	Tail Rotor Gear Ratio	尾傳動主齒盤	÷	尾前傳動齒輪	=	尾旋翼齒輪比
Tail Rotor Gear Ratio	×	Head Speed	=	Tail Rotor Speed	尾旋翼齒輪比	×	主旋翼轉速	=	尾旋翼轉速

Main Rotor Gear Ratio 主旋翼齒輪比		
Main Gea 主齒盤齒數	Motor Pinion Gear 馬達齒數	Main Rotor Gear Ratio 齒輪比
100	10	10
	11	9.09
	12	8.33

Tail Rotor Gear Ratio 尾旋翼齒輪比		
Tail Driven Gear 上傘齒盤	Tail Bevel Gear 尾前傳動傘齒	Tail Rotor Gear Ratio 齒輪比
66	14	4.71

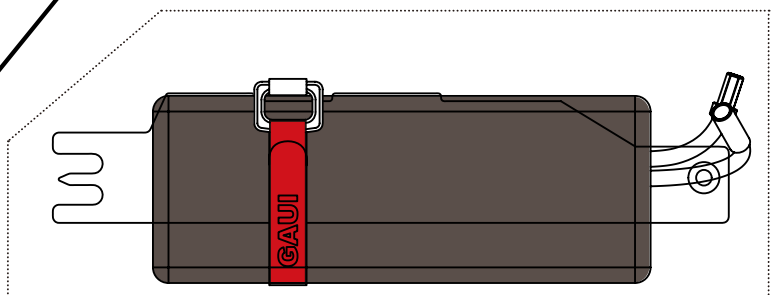
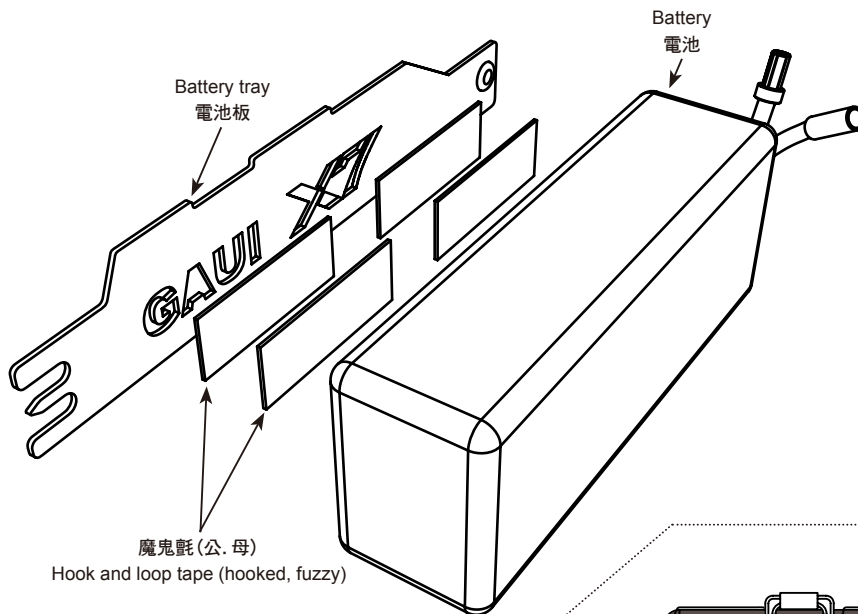
1. 400KVMotor & Head Speed 1. 440KV馬達 & 主旋翼轉速		
RPM	Main Rotor Gear Ratio 主旋翼齒輪比	Head Speed 主旋翼轉速
19536	10	1953.60 rpm
	9.09	2148.96 rpm
	8.33	2344.32 rpm

2. 500KVMotor & Head Speed 2. 500KV馬達 & 主旋翼轉速		
RPM	Main Rotor Gear Ratio 主旋翼齒輪比	Head Speed 主旋翼轉速
22200	10	2220 rpm
	9.09	2442 rpm
	8.33	2664 rpm

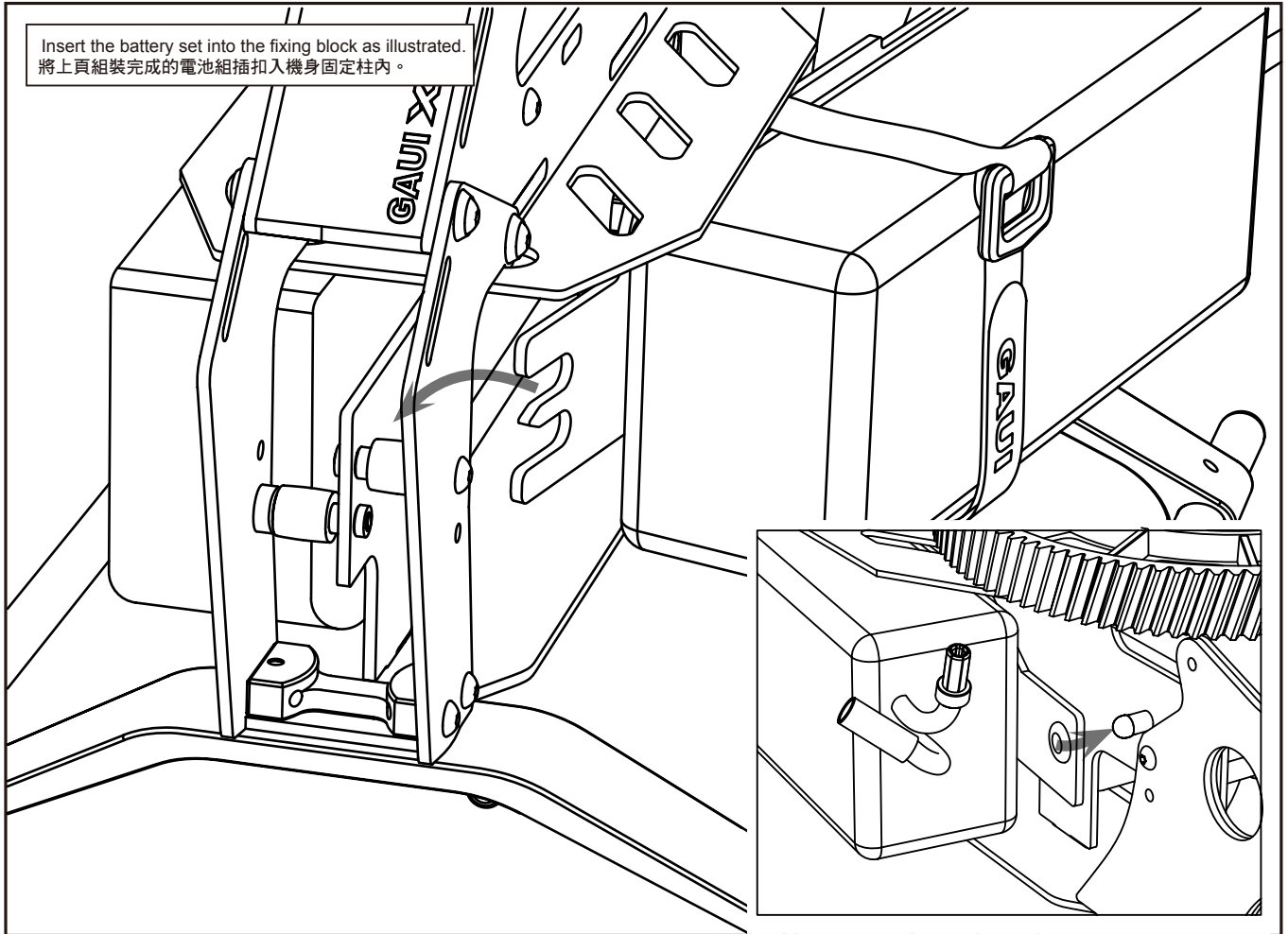
1. 400KVMotor & Head Speed 1. 440KV馬達 & 尾旋翼轉速		
Tail Rotor Gear Ratio 尾旋翼齒輪比	Head Speed 主旋翼轉速	Tail Rotor Speed 尾旋翼轉速
4.71	1953.60 rpm	9209.83 rpm
	2148.96 rpm	10130.81 rpm
	2344.32 rpm	11051.79 rpm

2. 500KVMotor & Head Speed 2. 500KV馬達 & 尾旋翼轉速		
Tail Rotor Gear Ratio 尾旋翼齒輪比	Head Speed 主旋翼轉速	Tail Rotor Speed 尾旋翼轉速
4.71	2220 rpm	10465.71 rpm
	2442 rpm	11512.29 rpm
	2664 rpm	12558.86 rpm

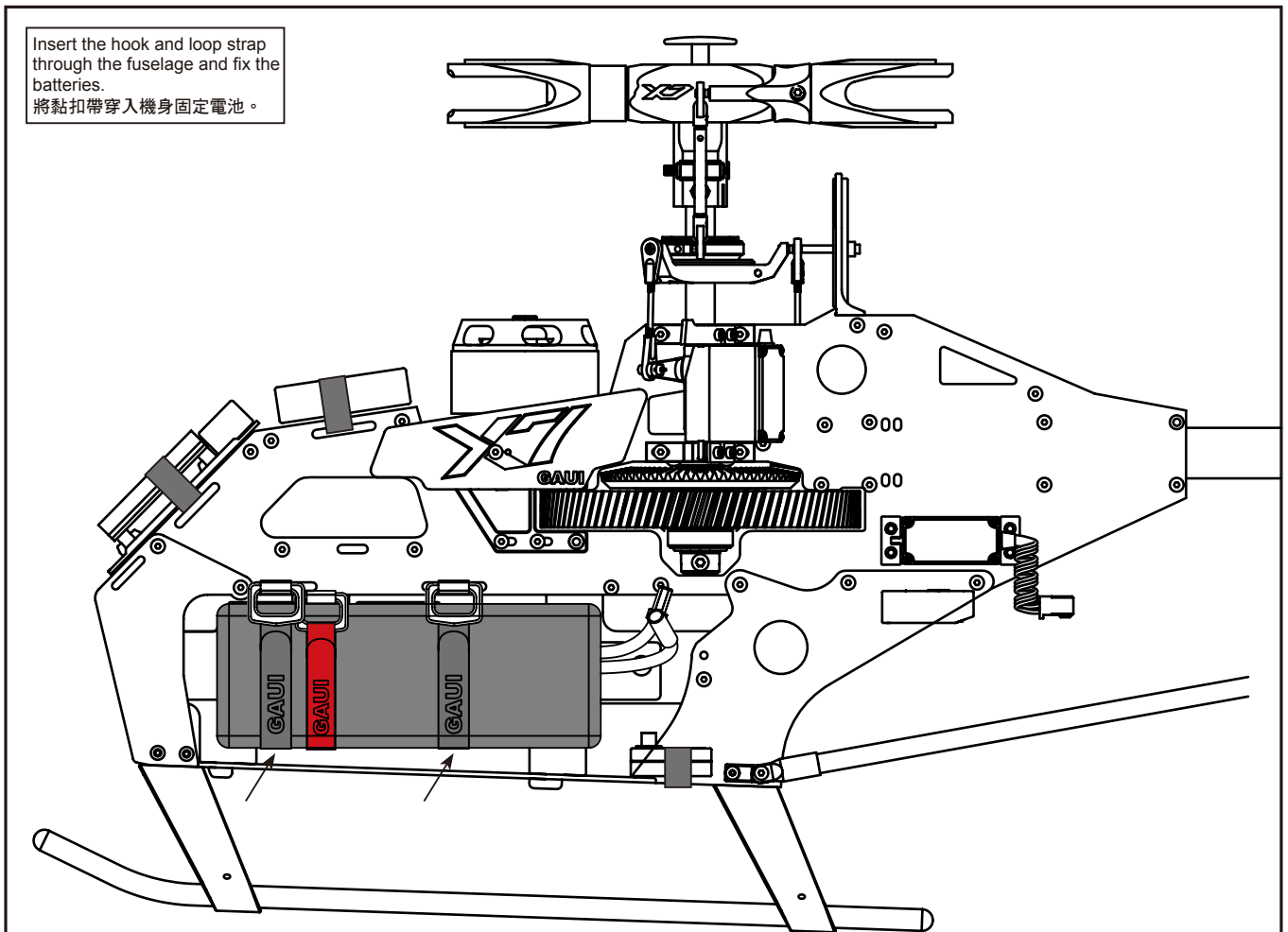
1. Use hook and loop strap for fixing the battery on the battery tray as illustrated.
2. Fasten with a hook and loop tape on the battery.
1. 使用魔鬼氈將電池黏附於電池板上, 並確認黏合後位置如。
2. 再將束帶束緊電池與電池板。

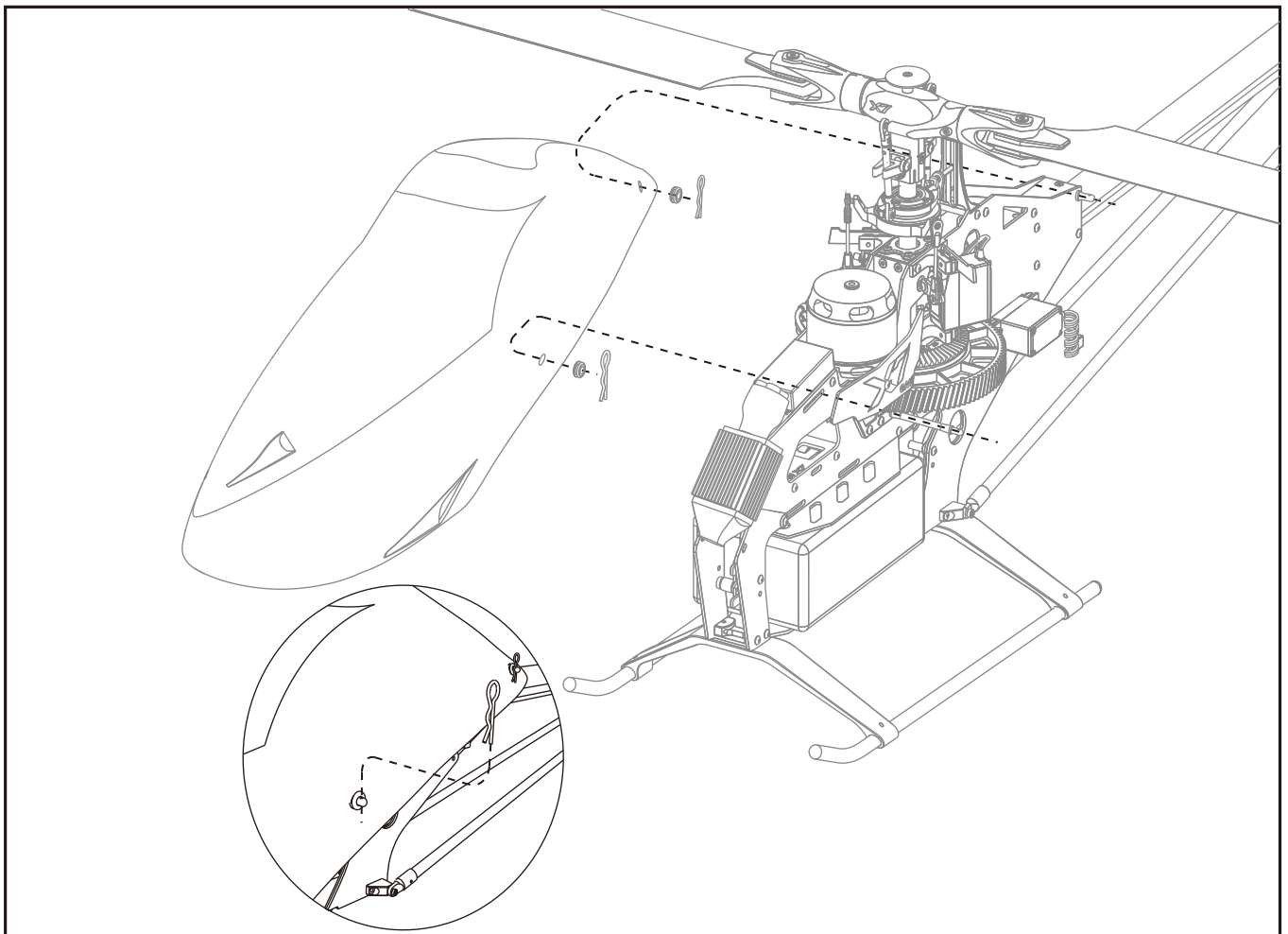
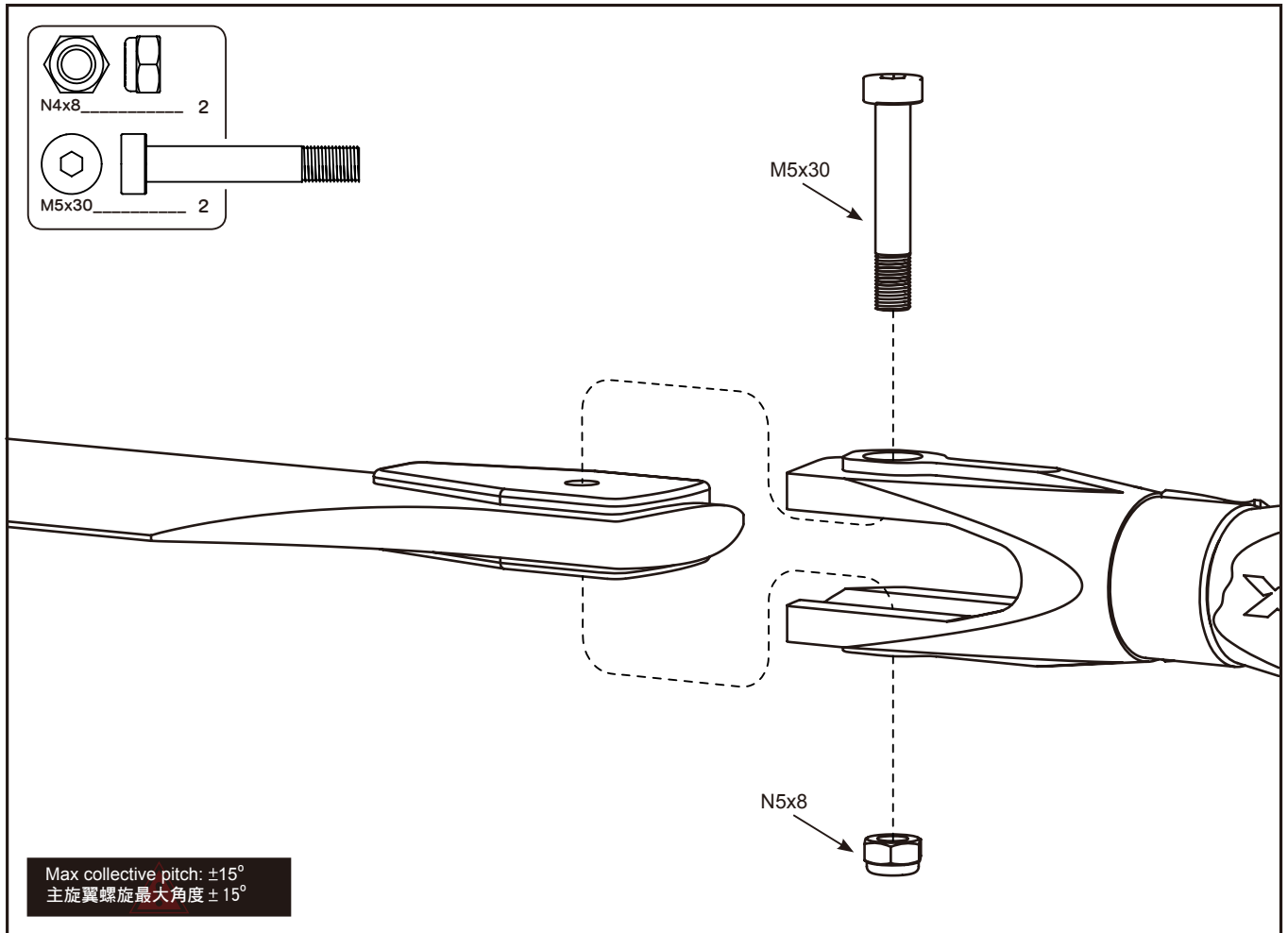


Insert the battery set into the fixing block as illustrated.  
將上頁組裝完成的電池組插入機身固定柱內。



Insert the hook and loop strap through the fuselage and fix the batteries.  
將黏扣帶穿入機身固定電池。

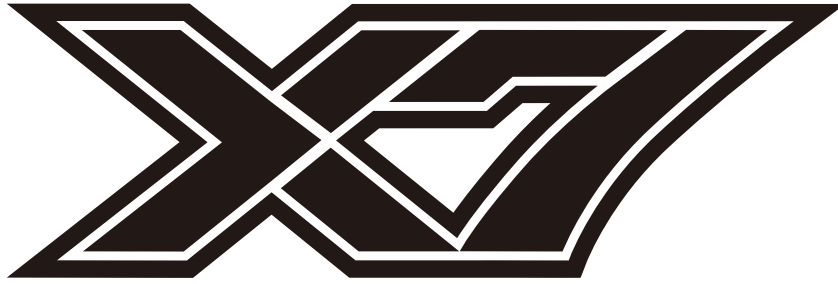




217011	X7 CF Right Main Frame (2mm)	X7 碳纖右側板(2mm)
217012	X7 CF Left Main Frame (2mm)	X7 碳纖左側板(2mm)
217013	X7 CF Front Brace Set (2mm)	X7 碳纖前腳板組(2mm)
217014	X7 CF Back Brace Set	X7 碳纖後腳板組
217015	X7 CF Anchor Frame (1.6mm)	X7 碳纖固定板(1.6mm)
217016	X7 CF Bottom Frame (2mm)	X7 碳纖底板(2mm)
217017	X7 CF Frame Middle divider (2mm)	X7 碳纖機身中隔板(2mm)
217018	X7 CF Tail Fins Set (2mm)	X7 碳纖尾翼組(2mm)
217019	X7 CF Battery Tray (1.6mm)	X7 碳纖電池板組(1.6mm)
217020	X7 CF Divider Frame Set (2mm)	X7 碳纖隔板組(2mm)
217031	X7 Rotor Head Assembly	X7 主旋翼頭
217032	X7 Main Blade Grip	X7 主旋翼夾頭
217033	X7 Main Blade Grip Control Arm (Black anodized)	X7 主旋翼夾頭舵柄(亮黑)
217034	X7 Swashplate Set	X7 十字盤組
217035	X7 CNC Main Shaft Upper Bearing Mount	X7 上主軸座
217036	X7 CNC Main Shaft Middle Bearing Mount (Silver anodized)	X7 CNC中主軸版(亮銀)
217037	X7 CNC Servo Mount (Silver anodized)	X7 CNC伺服機座(亮銀)
217038	X7 CNC Front Bevel Gear Mounting Block (Silver anodized)	X7 CNC前傘齒輪固定座(亮銀)
217039	X7 CNC Landing Gear Mount (Silver anodized)	X7 CNC腳架固定座(亮銀)
217040	X7 66T Crown Gear Hub with One Way Sleeve	X7 66T 上齒盤輪殼含單向鋼套
217041	X7 CNC Main Shaft Third Bearing Mount (Silver anodized)	X7 CNC主軸座(亮銀)
217042	X7 CNC Boom Support Mounting Block (Silver anodized)	X7 CNC支撐延伸座(亮銀)
217043	X7 Canopy Screw Set	X7 艙罩螺絲組
217044	X7 Tail Rotor Control Arm Assembly	X7 雙推尾舵柄組
217045	X7 CNC Tail Pitch Slider Set	X7 CNC雙推螃蟹夾座
217046	X7 Third Motor Shaft Bearing Mount (Silver anodized)	X7 馬達軸心座(亮銀)
217047	X7 CNC Motor Mount (Silver anodized)	X7 CNC馬達座(亮銀)
217048	X7 CNC Heat Sink Mounting Block (Silver anodized)	X7 CNC散熱片固定座(亮銀)
217049	X7 CNC Tail Boom Clamp (Silver anodized)	X7 CNC尾管固定座(亮銀)
217050	X7 CNC Tail Boom Mount (Front) (Silver anodized)	X7 CNC前尾管夾座(亮銀)
217051	X7 CNC Tail Support Clamp (Silver anodized)	X7 CNC水平翼固定座(亮銀)
217052	X7 Heat Sink Set (Titanium anodized)	X7 散熱片組(鈦色)
217053	X7 CNC Stop Plate (Black anodized)	X7 CNC煞車盤(亮黑)
217054	X7 CNC Reinforced Plate (Black Matte)	X7 CNC強化板(霧黑)
217055	X7 Main Shaft Collar	X7 主軸定位器
217056	X7 Washout Arm Set	X7 主旋翼頭定位器組
217057	X7 Tail Rotor Control Arm Mount(Silver anodized)	X7 尾舵柄座(陽極亮銀)
217058	X7 Tail Rotor Head Assembly	X7 尾旋翼夾頭組
217059	X7 Tail Gear Case Assembly	X7 一體式尾殼組
217060	X7 Canopy Post (A type)	X7 艙罩支柱組(A型)
217061	X7 Canopy Post (B type)	X7 艙罩支柱組(B型)
217062	X7 CNC Divider Plate (A type)	X7 CNC隔板組(A型)
217063	X7 CNC Divider Plate (B type)	X7 CNC隔板組(B型)
217064	X7 Gyro Mounting Plate (Black anodized)	X7 陀螺儀隔板(亮黑)
217065	X7 Tail Push Rod Set	X7 尾拉桿組
217120	X7 Tail Output Shaft	X7 尾軸
217121	X7 Stainless Steel Main Blade Push Rod	X7 不鏽鋼主旋翼拉桿

217122	X7 Main Rotor Head Spindle	X7 主旋翼橫軸
217123	X7 Tail Output Shaft with Bevel Gears Set	X7 尾軸附傘齒組
217124	X7 Main Shaft 183mm	X7 主軸183mm
217125	X7 Tail Hub	X7 尾橫軸
217126	X7 CNC Torque Tube with bearings	X7 CNC尾傳動軸桿組
217127	X7 Tail Boom (Black anodized)	X7 尾管(亮黑)
217128	X7 Skid Set (Black anodized)	X7 滑橇組(亮黑)
217129	CF Tail Boom Support Rod Set	碳纖支撐桿
217168	X7 66T Crown Gear Hub with One Way Sleeve(Strengthened Upgrade)	X7 66T 單向上齒盤輪殼(強化)
217169	X7 Main Gear Hub (Strengthened Upgrade)	X7 單向主齒盤輪殼(強化)
217170	X7 One Way Main Gear Set (Strengthened Upgrade)	X7 單向主齒盤組(強化)
217171	X7 Main Gear Hub	X7 主齒盤輪殼
217172	X7 14T Front Transmission Gear Assembly	X7 14T前傳動齒輪組
217173	X7 Tail Gear Set	X7 尾傘齒輪組
217174	X7 100T Main Drive Gear (Bevel)	X7 100T主齒盤斜齒
217175	X7 66T Crown Gear	X7 66T上齒盤
217176	X7 14T Torque Tube Bevel Gear (Front)	X7 14T前傘齒輪
217177	X7 Tail Control Guide	X7 尾拉桿座
217178	X7 Swashplate Guide	X7 滑軌座
217179	X7 Brace Set	X7 支撐架組
217180	X7 Ball Link for Pitch Control Linkage Rod	X7 主旋翼拉桿頭
217181	X7 Ball Link for Servo Linkage Rod	X7 伺服器拉桿頭
217182	X7 Torque Tube Bearing Holder Set	X7 尾傳動軸承墊圈組
217183	Damper rubber (Hardness 85)	橫軸橡皮墊(硬度85)
217350	GUEC GM-350S Brushless Motor (500KV)	GUEC GM-350S 無刷馬達(500KV)
217351	Motor Shaft Pack(for GUEC GM-350S Brushless Motor 500KV)	馬達軸心包(GUEC GM-350S 無刷馬達 500KV 用)
217407	X7 Stainless Linkage (4.8mm) Balls	X7 不銹鋼(4.8mm)球頭組
217408	X7 Aluminum Frame Posts Pack	X7 機身鋁柱包
217411	X7 Main Blade Holder Screws	X7-主旋翼夾頭螺絲
217412	X7 Main Blade Holder Washer Pack	X7-主旋翼夾頭華司組
217413	X7 Main Gear Washer	X7-主齒盤華司
217419	X7 9T Aluminum Pinion Gear Pack (Bevel )	X7 9T 鋁合金馬達斜齒
217420	X7 10T Aluminum Pinion Gear Pack (Bevel )	X7 10T 鋁合金馬達斜齒
217421	X7 11T Aluminum Pinion Gear Pack (Bevel )	X7 11T 鋁合金馬達斜齒
217422	X7 12T Aluminum Pinion Gear Pack (Bevel )	X7 12T 鋁合金馬達斜齒
217501	B. Pack (3x6x2.5)x4pcs	軸承包(3x6x2.5)x4個
217502	B. Pack (3x7x2)x2pcs	軸承包(3x7x2)x2個
217503	B. Pack (4x9x4)x2pcs	軸承包(4x9x4)x2個
217504	B. Pack (5x10x4)x4pcs	軸承包(5x10x4)x4個
217505	B. Pack (6x13x5)x4pcs	軸承包(6x13x5)x4個
217507	B. Pack (B10x19x5)x2pcs	軸承包(B10x19x5)x2個
217509	B. Pack (B12x24x6)x2pcs	軸承包(B12x24x6)x2個
217510	B. Pack (B30x42x7)	軸承包(B30x42x7)
217511	Thrust B. (T10x18x5.5)x2pcs	止推軸承包(T10x18x5.5)x2個
217512	Thrust B. (5x10x4)x2pcs	止推軸承(5x10x4)x2個

217514	B. Pack (8x14x4)x3pcs	軸承(8x14x4)x3個
217515	B. Pack (2x6x3)x2pcs	軸承包(2x6x3)x2個
217531	X7 C-Clip x6pcs	X7 S扣環(電鍍黑)x6個
217532	X7 Servo Mounting Plate	X7 伺服機固定片
217533	X7 Servo Horn	X7 伺服機舵角片
217534	Canopy Damper x6pcs	艙罩墊圈x6個
217535	Stainless Linkage Set(2x31mm)x4pcs	不鏽鋼連桿組 (2x31mm)x4個
217536	Ball with Stand(4.8mm)	4.8mm球頭
217537	Spacer (P2x3.5x2.5 x 10pcs)(P2x3x1.5 x 10pcs)	襯套(P2x3.5x2.5 x 10個)(P2x3x1.5 x 10個)
217538	Countersunk Washers (for M3 screws)x20pcs	沉頭墊片組(適用M3螺絲)x20個
217539	Socket Set Screw (Black)	內六角止付螺絲包-黑色
217540	Socket Head Cap Screw - Black (M2)	內六角螺絲包-黑色(M2)
217541	Socket Head Cap Screw - Black (M3)	內六角螺絲包-黑色(M3)
217542	Socket Head Cap Screw - Black (M4)	內六角螺絲包-黑色(M4)
217543	Socket Head Button Screw - Black(M3)	半圓頭內六角螺絲包-黑色(M3)
217544	Socket Head Button Screw - Black(M3)	半圓頭內六角螺絲包-黑色(M3)
217545	Socket Countersunk Screw - Black (M3)	內六角皿頭螺絲包-黑色(M3)
217546	Nylon Lock Nut Pack	止滑螺帽組合包
217547	Socket Head Cap Screw - Black (M2.6)	內六角螺絲包-黑色(M2.6)
217562	X7 Battery Straps (420mm)	X7 電池黏扣帶(420mm)
217700	X7 FORMULA Canopy Posts(Silver anodized)	X7 FORMULA 艙罩支柱組(電鍍亮銀)
217701	X7 FRP Canopy(A Type)	X7 玻纖彩繪噴漆座艙組(A型)
217702	X7 FRP Canopy(A1 Type)	X7 玻纖彩繪噴漆座艙組(A1型)
217710	X7 FORMULA Canopy(Red)	X7 FORMULA 艙罩(紅)
217711	X7 FORMULA Canopy(B1 Type Blue)	X7 FORMULA 艙罩(B1型 藍色)
666167	GF Swash(Cyclic) Plate Tool(for X5&X7)	玻纖十字盤板手(適用X5&X7)
666168	Hexagon screw driver Set	六角螺絲起子組
666200	One-way B. Grease	單向軸承油
666201	Thread-Lock Glue	螺絲固定膠
666700	X7 CARRY BAG	X7 攜行袋
910010	Blade Support( for H425&X4&X5&X7)	主翼支撐墊(H425&X4&X5&X7用)
910031	Velcro (White)x4pcs	魔鬼氈(白)4個
922503	GUEC GS-503 HV Brushless Digital Servo	GUEC GS-503 高壓無刷伺服機
922504	GUEC GS-504 HV Brushless Digital Servo	GUEC GS-504 高壓無刷伺服機
922505	CNC Metal Servo Horn(for Futaba)	CNC伺服機擺臂陽極亮黑(適用 Futaba)
922506	CNC Metal Servo Horn(for JR)	CNC伺服機擺臂陽極亮紅(適用JR)
922507	GS-503 Servo Gear Set	GS-503數位伺服機金屬齒輪包
922508	GS-504 Servo Gear Set	GS-504數位伺服機金屬齒輪包
923130	GUEC GE-130 50V 130A ESC (SBEC)	GUEC GE-130 電子變速器 130A(內建SBEC 50V)
923131	OPTO Cable(for GUEC GE-130)	光耦合定速訊號過濾器(GUEC GE-130用)
923132	USB Link(for GUEC GE-130)	USB設定連接器(GUEC GE-130用)
944002	Digital Pitch Gauge	數位式螺距規



# **GAUI**

**www.gai.com.tw**  
**E-mail: gai@gai.com.tw**  
**TEL: +886-2-8630567**  
**FAX: +886-2-2610567**  
**No.118, Ren'ai Rd., Bali Dist.,**  
**New Taipei City 249, Taiwan**