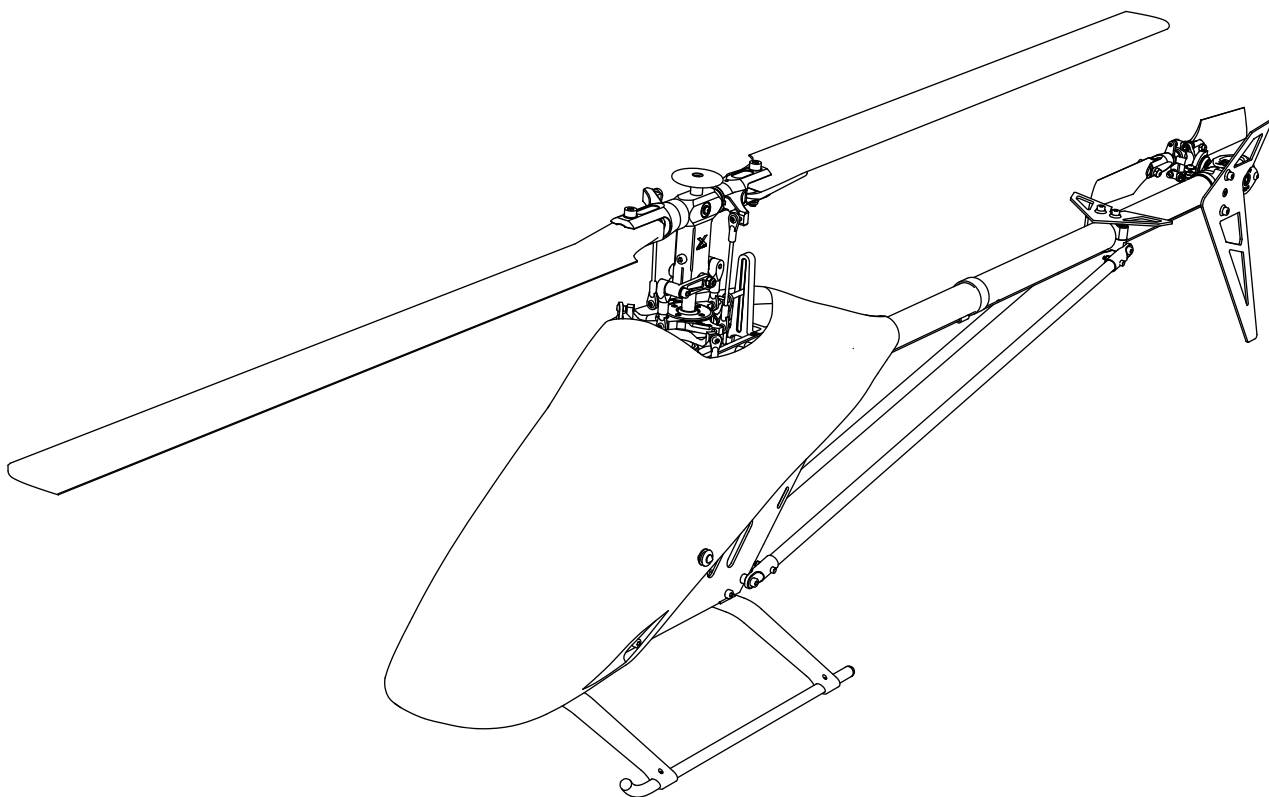


GAUI X5V₂

DUAL VERSION ASSEMBLY INSTRUCTION MANUAL



www.gaii.com.tw

Recommendation:

We highly suggest using the latest version of the Assembly Instruction Manual.

To download the latest version, please visit the Official TSH GAUI web site: www.gaii.com.tw



Belt Version

皮帶版 P.1

Main Frame Assembly

機體側板組裝 P.2

Main Gear Assembly

主齒輪組裝 P.5

Swashplate Assembly

十字盤組裝 P.6

Main Gear Assembly

主齒盤組裝 P.6

Main Rotor Assembly

主旋翼頭組裝 P.7

Torque Tube Assembly

傳動軸組裝 P.8

Tail Rotor Assembly

尾旋翼組裝 P.9

Tail Gear Box Assembly

尾殼組裝 P.10

Main Frame Assembly1

機體側板組裝1 P.12

Motor Assembly / Thoroughly Maintenance

馬達組立 / 深度保養 P.13

General Parts List

零件表

Thank you for purchasing **GAUI** X5 High Performance RC Helicopter from Tai Shih Hobby Corporation (TSH). We hope you will enjoy the joy of flight.

感謝您購買泰世科技出品的 **GAUI** X5高性能遙控直升機，我們希望您可以盡情享受飛行的樂趣。

In order to understand full assembly sequences, this instruction manual show the assembly information of this model, even though some elements are supplied as pre-assembled. Please refer to it when carrying out maintenance or replacing parts.

為了要讓使用者詳細瞭解組裝順序，即使有些部件已經預先組裝完成，本說明書將提供這台遙控模型的組裝資訊。同時，敬請參閱保養與主要零件更換資訊。

CAUTION: This radio controlled helicopter is not a toy.

警告：這台遙控直升機不是玩具。

SAFETY PRECAUTIONS

This kit includes some preassembled components. Please check for any loose screws and tighten them before you proceed with assembly.

You are responsible for assembly, safe operation, maintenance, inspection and adjustment of the model.

Before beginning assembly, please read these instructions thoroughly.

Check all parts. If you find any defective or missing parts, contact your local dealer or **GAUI** TSH distributor.

Before you proceed to RC helicopter activity, please check and follow thoroughly related regulation of aero modeling in your country/region.

安全資訊與注意事項

這台遙控模型包含預先組合完成的部件。

在進行組裝之前，請仔細檢查這些預先組裝部件上的所有螺絲均有仔細鎖緊。

您有完全的責任對於這台遙控模型的組裝，安全操作，保養，檢查與調整。

請先檢查所有的零件，如果發現任何不良品，遺失品，請向模型店或是當地的泰世代理商連絡。

在您進行遙控直升機活動時，請先詳細瞭解與遵守當地遙控模型的相關法規。

LIABILITY DISCLAIMER

This product is for a radio controlled (RC) helicopter.

Improper operation, maintenance or assembly can potentially cause a RC helicopter to pose a danger to persons or objects including but not limited to the possibility of causing serious physical injury and even death.

Moving components can present a hazard to operators, and anyone or anything that could be in the flying area of the RC helicopter.

Under no circumstance should a minor be allowed to operate this RC helicopter without the approval, monitor and direction of his parent or legal guardian who takes full responsibility for all of the minor's actions.

This product is intended for being operated by experienced mature radio control helicopter pilots under controlled safety conditions and on locations properly authorized and setup for safe flying and away from other people.

Do not operate an RC helicopter within the vicinity of residences, trees, electrical power lines during inclement weather or near crowds of people.

The manufacturer and/or its distributors assume no responsibility or liability whatsoever for any damages including but not limited to ones generated by incidental or consequential damages.

The operator of the helicopter assumes all responsibility and liability that results from the correct or incorrect operation of the helicopter.

After leaving its facilities, the manufacturer has no way of maintaining control or monitor over the assembly, maintenance and/or operation of the helicopter.

免責聲明

這個產品是無線遙控的直升機。

不當的操作，保養或是組裝有可能導致遙控直升機對於人身或是物品造成危險。

包括，但是不局限於對於人體產生嚴重傷害甚至死亡的可能性。

所有的移動部件可能對於操作的使用者，旁人或是這台遙控直升機飛行場的任何人或物品產生傷害。

未成年的人如果要操作這台遙控直升機需要父母或是監護人的同意，並在監督與指導下才能進行操作並遠離周遭障礙物及人群等，其父母或是監護人需負起所有責任與法律責任。

以下場合與情況禁止操作遙控直升機：居家房屋附近、天候不佳時、非空曠區域、樹木、電線竿等場合或是人群附近。

製造廠商與其經銷商都不對於所有的傷害，包含但是不局限於偶然或是連續發生的傷害負擔任何責任。

本產品的使用者要對於正確地或是不正確地操作的結果需負擔所有責任與法律責任。

本產品一但離開製造廠商的控制範圍外，製造廠商無法對於下列事項保持監督與控管：組裝，保養，維修與操作這台遙控直升機。

LIABILITY DISCLAIMER

This product is for a radio controlled (RC) helicopter.

Improper operation, maintenance or assembly can potentially cause a RC helicopter to pose a danger to persons or objects including but not limited to the possibility of causing serious physical injury and even death.

Moving components can present a hazard to operators, and anyone or anything that could be in the flying area of the RC helicopter.

Under no circumstance should a minor be allowed to operate this RC helicopter without the approval, monitor and direction of his parent or legal guardian who takes full responsibility for all of the minor's actions.

This product is intended for being operated by experienced mature radio control helicopter pilots under controlled safety conditions and on locations properly authorized and setup for safe flying and away from other people.

Do not operate an RC helicopter within the vicinity of residences, trees, electrical power lines during inclement weather or near crowds of people.

The manufacturer and/or its distributors assume no responsibility or liability whatsoever for any damages including but not limited to ones generated by incidental or consequential damages.

The operator of the helicopter assumes all responsibility and liability that results from the correct or incorrect operation of the helicopter.

After leaving its facilities, the manufacturer has no way of maintaining control or monitor over the assembly, maintenance and/or operation of the helicopter.

免責聲明

這個產品是無線遙控的直升機。

不當的操作，保養或是組裝有可能導致遙控直升機對於人身或是物品造成危險。包括，但是不局限於對於人體產生嚴重傷害甚至死亡的可能性。

所有的移動部件可能對於操作的使用者，旁人或是這台遙控直升機飛行場的任何人或物品產生傷害。

未成年的人如果要操作這台遙控直升機需要父母或是監護人的同意，並在監督與指導下才能進行操作並遠離周遭障礙物及人群等，其父母或是監護人需負起所有責任與法律責任。

以下場合與情況禁止操作遙控直升機：居家房屋附近、天候不佳時、非空曠區域、樹木、電線竿等場合或是人群附近。

製造廠商與其經銷商都不對於所有的傷害，包含但是不局限於偶然或是連續發生的傷害負擔任何責任。

本產品的使用者要對於正確地或是不正確地操作的結果需負擔所有責任與法律責任。

本產品一但離開製造廠商的控制範圍外，製造廠商無法對於下列事項保持監督與控管：組裝，保養，維修與操作這台遙控直升機。

For United States market, The Academy of Model Aeronautics (AMA) is a national organization representing modelers in the United States. Please refer the National Model Aircraft safety code from Academy of Model Aeronautics. And we've partially reprinted rules that are especially pertinent for radio controlled flight as below:

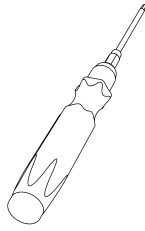
RADIO CONTROL

1. All pilots shall avoid flying models over unprotected people.
2. I will complete a successful radio equipment ground-range check in accordance with the manufacturer's recommendations before the first flight of a new or repaired aircraft.
3. At all flying sites a safety line or lines must be established, in front of which all flying takes place. Only personnel associated with flying the model aircraft are allowed at or in front of the safety line.
In the case of air shows or demonstrations a straight safety line must be established.
An area away from the safety line must be maintained for spectators. Intentional flying behind the safety line is prohibited. (See AMA Document #706 for Recommended Field Layout.)
4. I will operate my model aircraft using only radio-control frequencies currently allowed by the Federal Communications Commission (FCC).
Only individuals properly licensed by the FCC are authorized to operate equipment on Amateur Band frequencies.
5. I will not knowingly operate my model aircraft within three (3) miles of any preexisting flying site without a frequency-management agreement.
(See AMA Document #922 for Testing for RF Interference. See AMA Document #923 for Frequency Management Agreement.)
6. With the exception of events flown under official AMA Competition Regulations rules, excluding takeoff and landing, no powered model may be flown outdoors closer than 25 feet to any individual, except for the pilot and the pilot's helper(s) located at the flight line.
7. Under no circumstances may a pilot or other person touch a model aircraft in flight while it is still under power, except to divert it from striking an individual. This does not apply to model aircraft flown indoors.
8. Radio-controlled night flying requires a lighting system that provides the pilot with a clear view of the model's attitude and orientation at all times.
9. The operator of a radio-controlled model aircraft shall control it during the entire flight, maintaining visual contact without enhancement other than by corrective lenses that are prescribed for the pilot. First-Person View (FPV) flying may only be conducted in accordance with the procedures outlined in AMA Document #550.

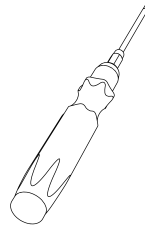
These special codes and appropriate documents may be obtained either from the AMA Web site at www.modelaircraft.org or by contacting AMA headquarter.



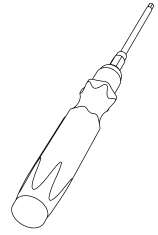
2.0mm Hexagon Screw Driver
2.0mm 六角螺絲起子



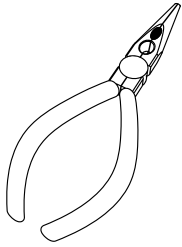
3.0mm Hexagon Screw Driver
3.0mm 六角螺絲起子



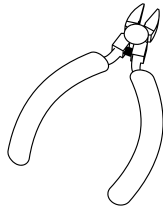
2.5mm Hexagon Screw Driver
2.5mm 六角螺絲起子



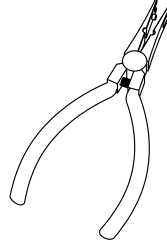
3.5mm Hexagon Screw Driver
3.5mm 六角螺絲起子



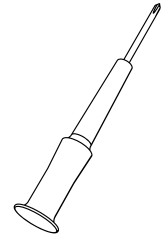
Needle-nosed pliers
尖嘴鉗



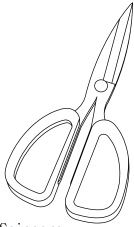
Diagonal cutting plier
斜口鉗



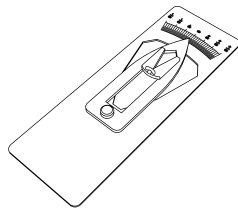
Ball Link Plier
拔豆鉗



Phillips Screw Driver
十字螺絲起子



Scissors
剪刀



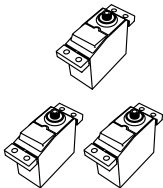
Dial Pitch Gauge
主旋翼螺距規



CA
瞬間膠



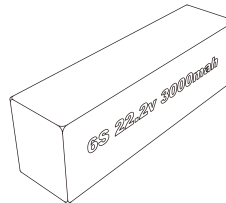
Thread Lock
螺絲止鬆劑



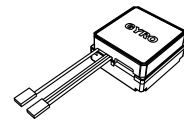
CCPM Servo x3pcs
CCPM伺服機x3個



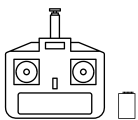
Tail Specialized Servo x1pcs
尾舵伺服機x1個



Battery 6S 22.2v 3000mah
鋰聚電池6S 22.2v 3000mah



GYRO
陀螺儀



Transmitter (6-channel or more,
helicopter system)
六動以上接收機&發射機



Lubricant
潤滑油

Belt Version

皮帶版

GAUI TAI SHIH HOBBY CORPORATION



M2X12

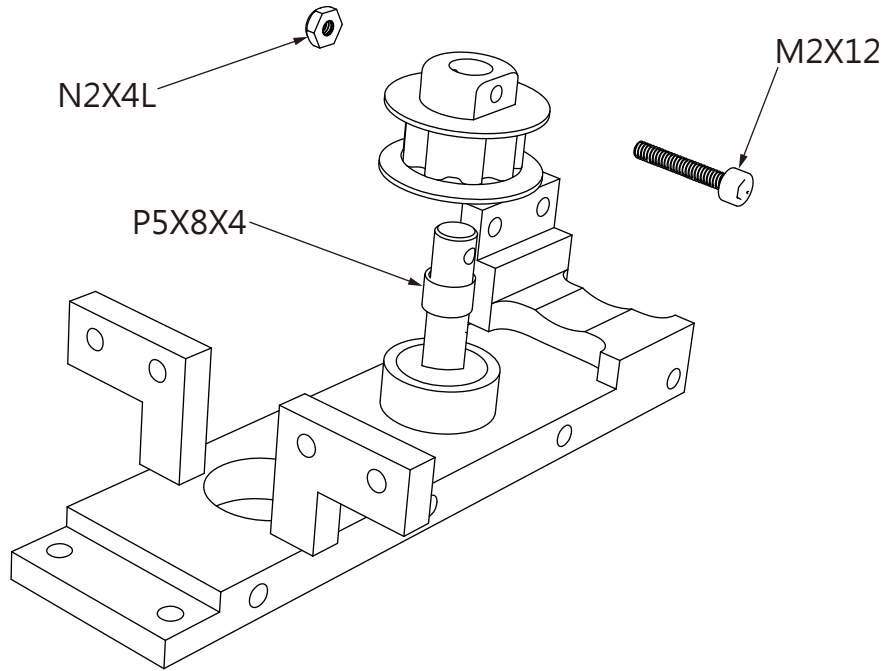


N2X4L

053205(208356)

055408(208925)

054605



Belt Version

皮帶版

GAUI TAI SHIH HOBBY CORPORATION



M3X6



M3X3

056206(208323)

056210(208379)

0A3017(208384)

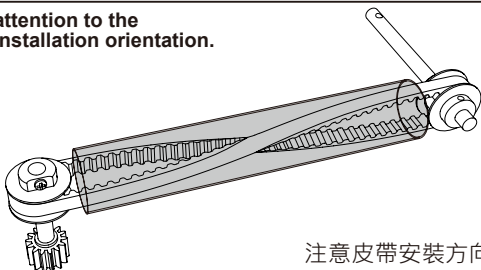
0A3023(208386)

055407(208911)

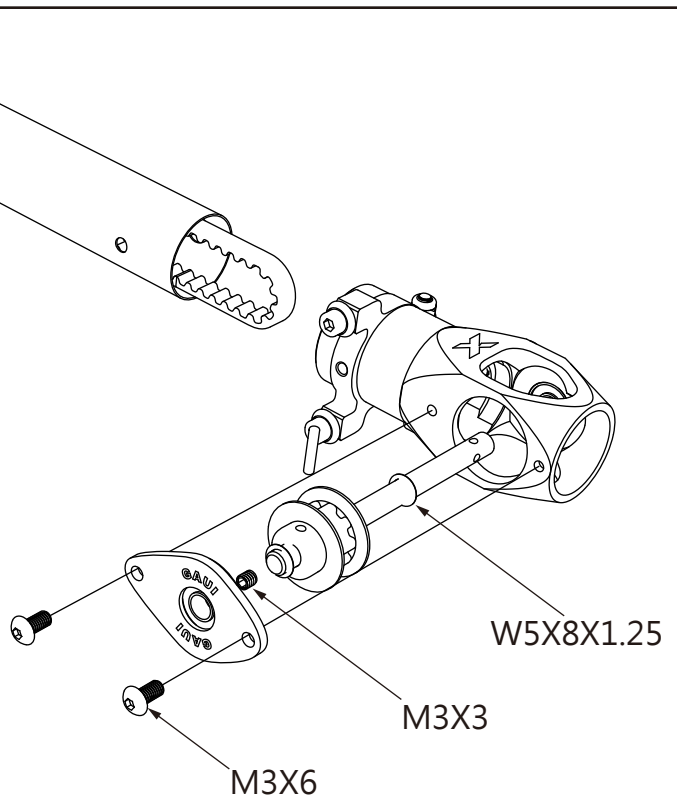
208923

0A8053(810002)

Pay attention to the belt installation orientation.



注意皮帶安裝方向。

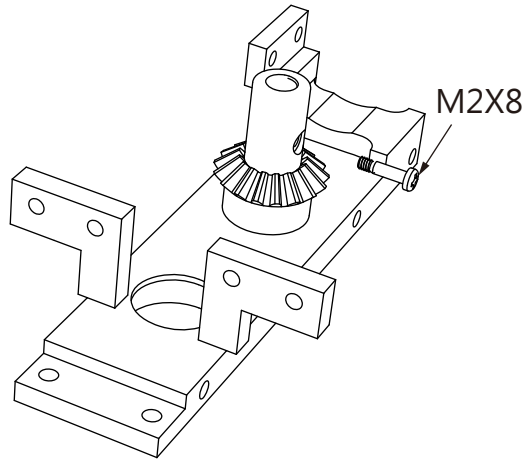




M2X8

053205(208356)

055202(208381)



M3X6



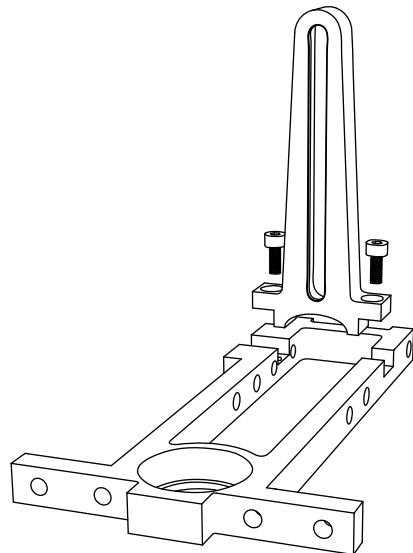
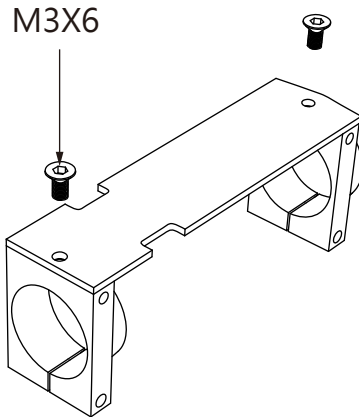
M2X5

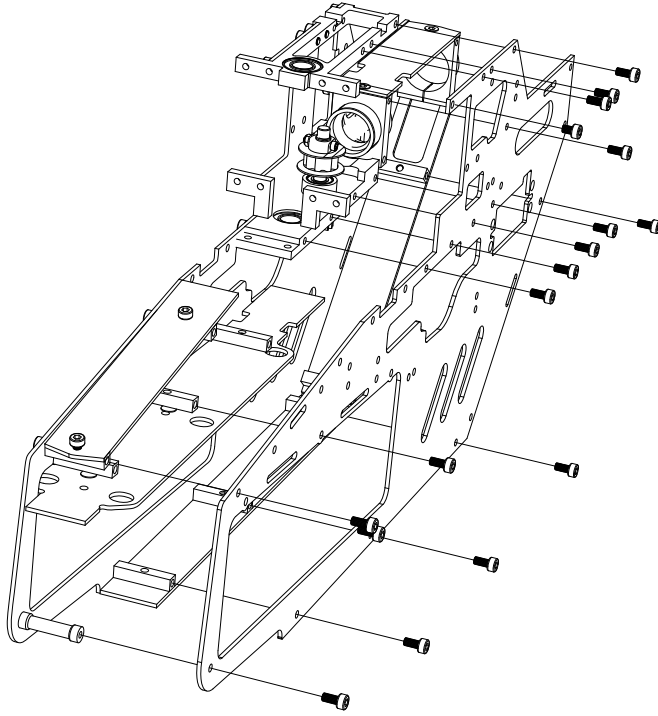
054005

0A2005(208361)

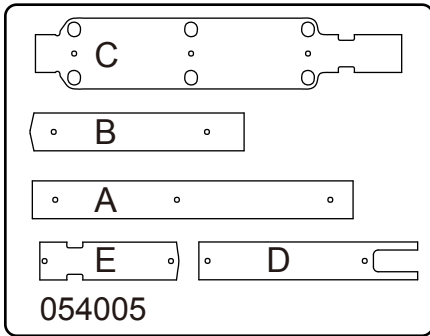
053202(208352)

053204(208355)

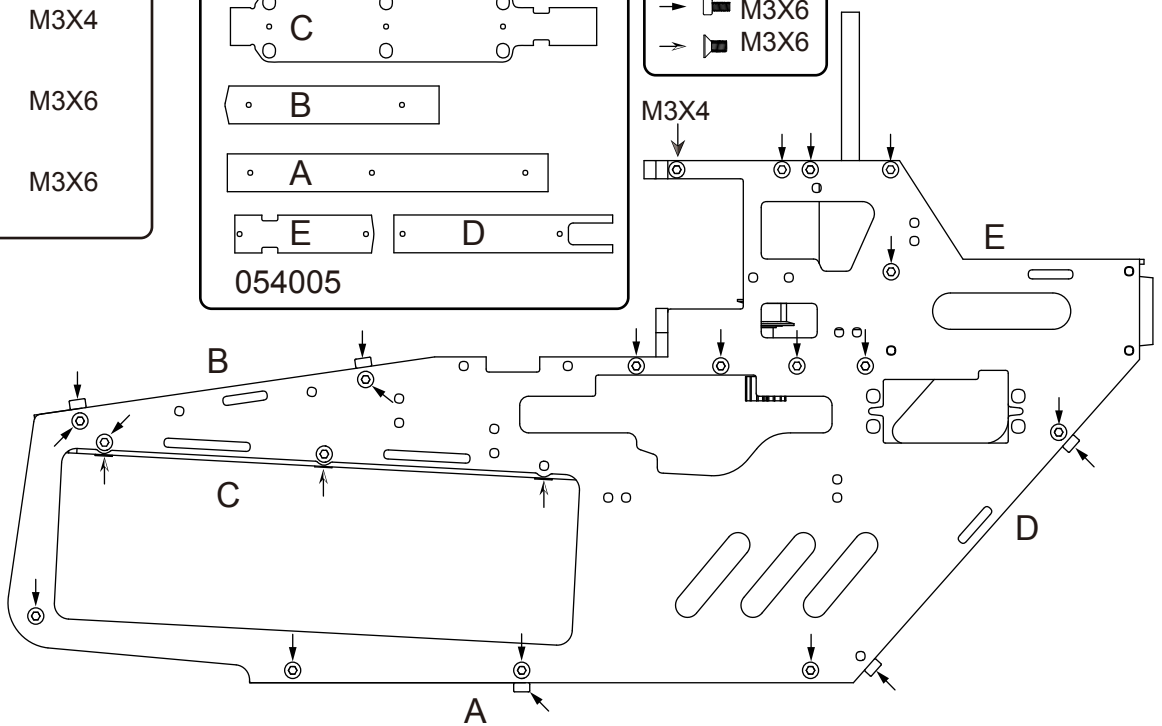


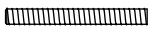


- M3X4
- M3X6
- M3X6

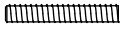


- M3X6
- M3X6





M3X18



M3X12



M3X6

054201(208819)

053203(208344)

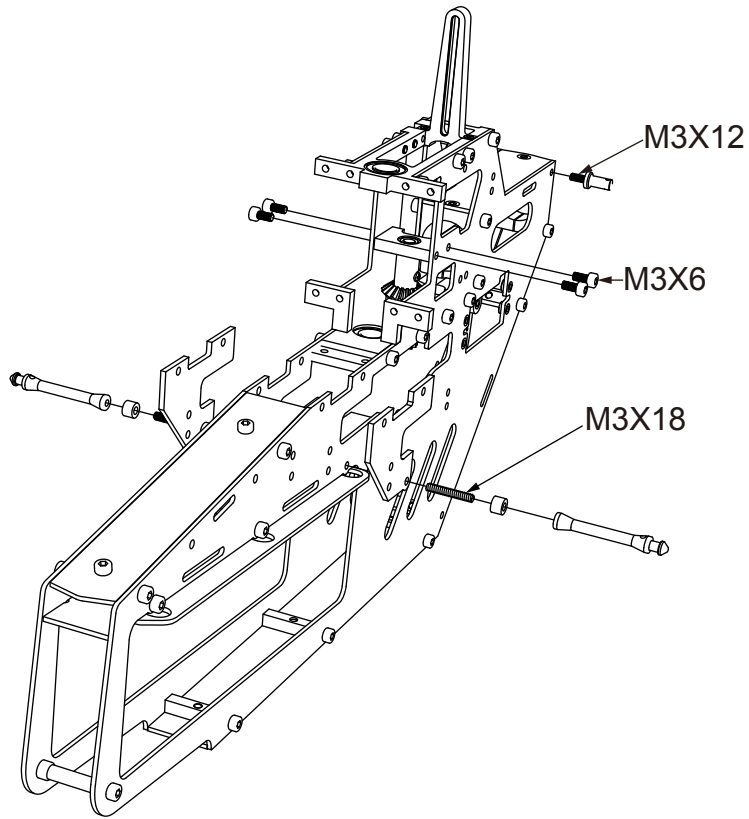
053210(208402)

054003

054004

054005

054006



M3X12



M3X3

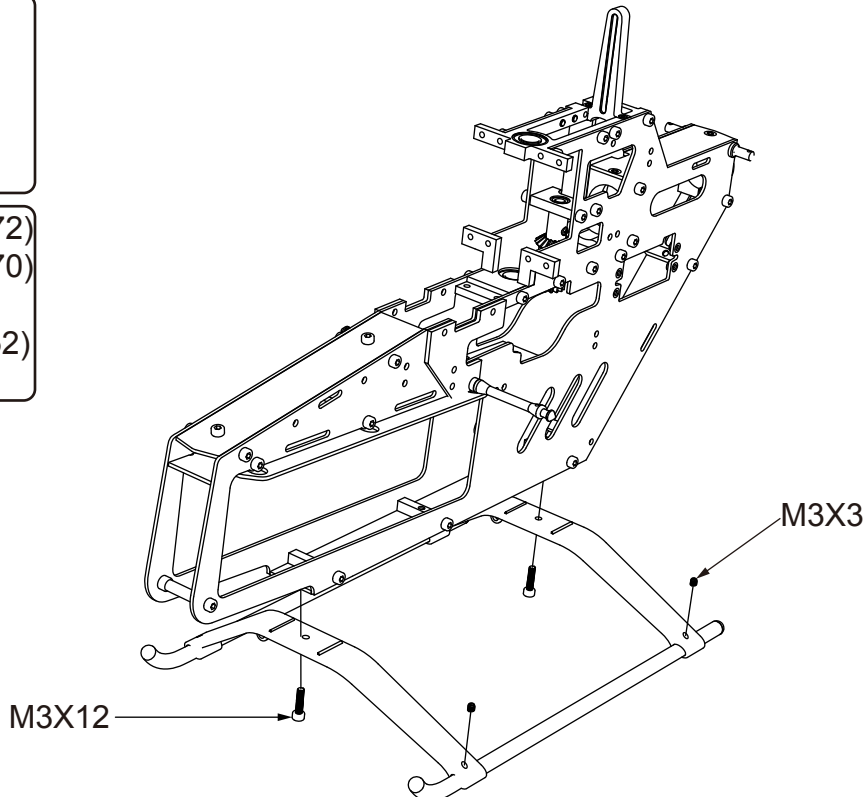
0A2009(208972)

0A2010(208370)

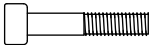
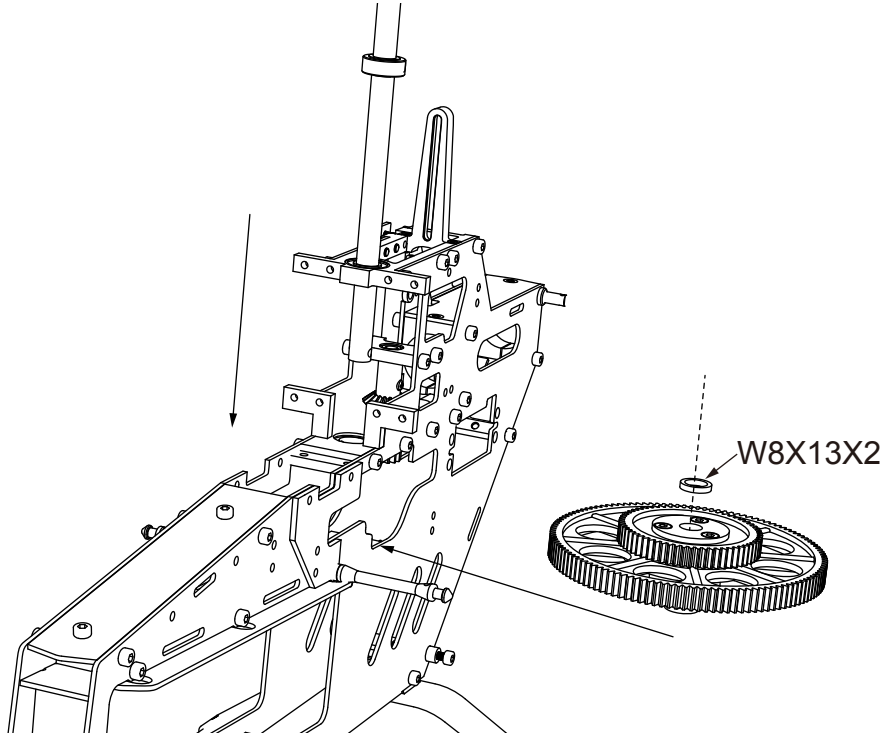
0R7312

053202(208352)

054204



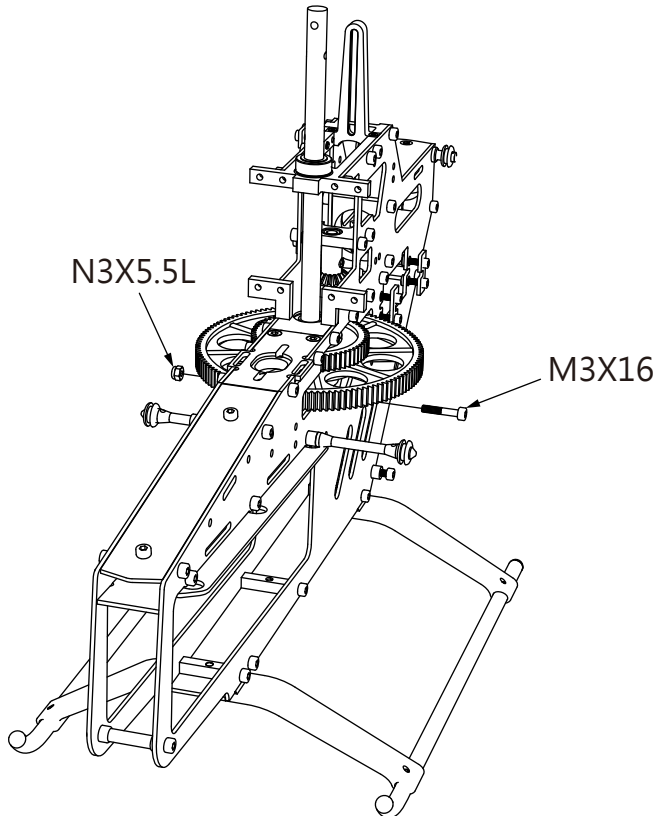
052212
054202
053208(208360)
208900
0A2006(208901)
0A2007(208903)




M3X16



N3X5.5L

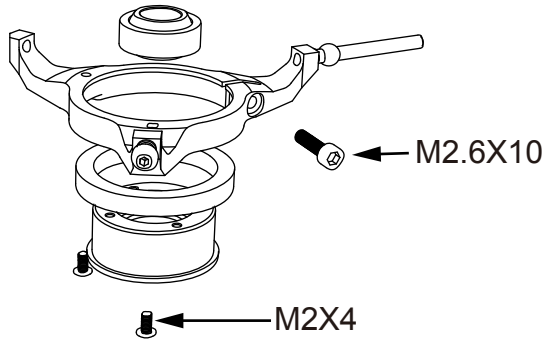
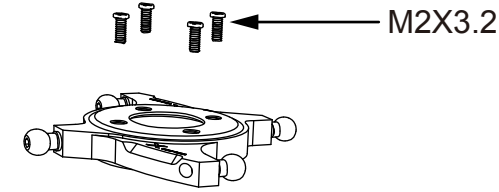


 M2X3.2

 M2.6X10

 M2X4

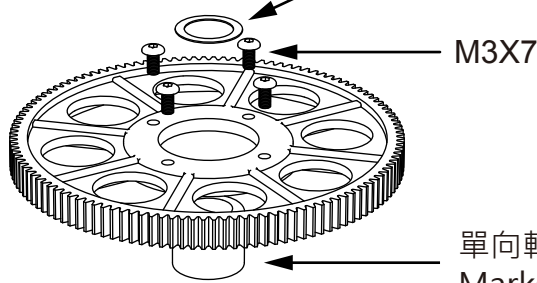
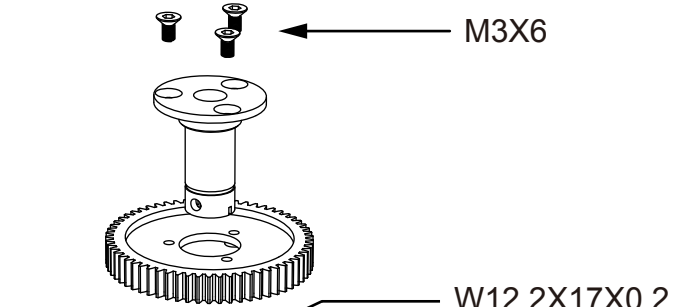
052209(208552)
057205(208806)




 M3X6

 M3X7

0A2004(208358)
0Z1353(208368)
053208(208360)
208900
0A2006(208901)
0A2007(208903)



單向軸承字體須朝下
Marks on one-way bearing
dacing downward

 C型環
C-Clip

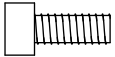
Main Rotor Assembly

主旋翼頭組裝

GAUI TAI SHIH HOBBY CORPORATION



M3X10



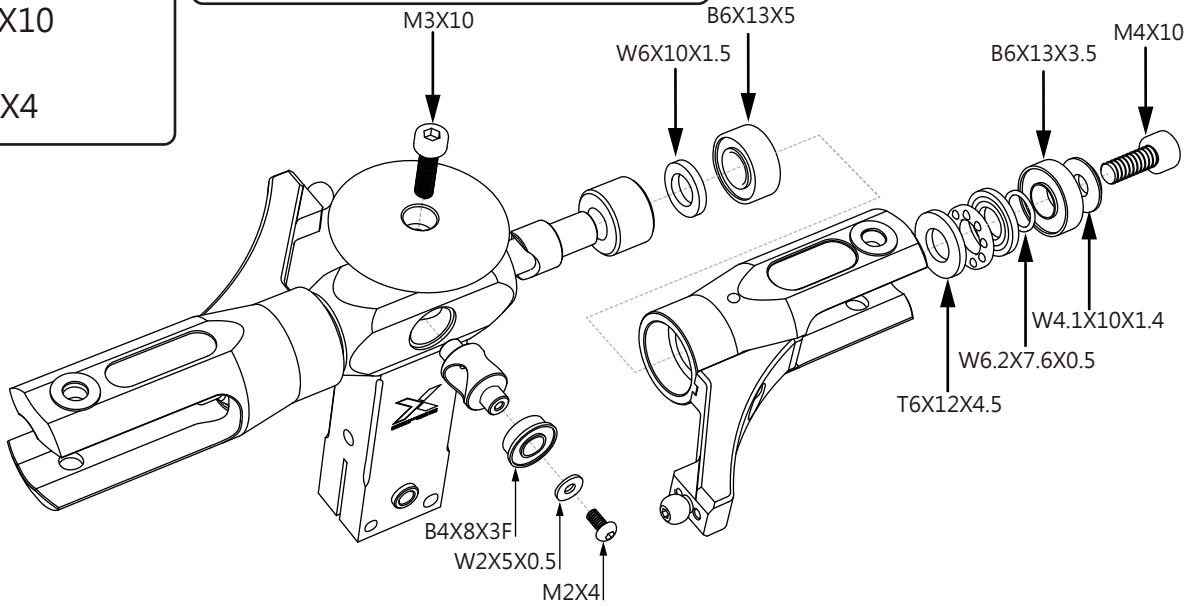
M4X10



M2X4

052210
0A1002(208341)
052204(208343)
883552

051209(208345)
0A1007(208912)
0A1005(935008)



Main Rotor Assembly

主旋翼頭組裝

GAUI TAI SHIH HOBBY CORPORATION



M3X16

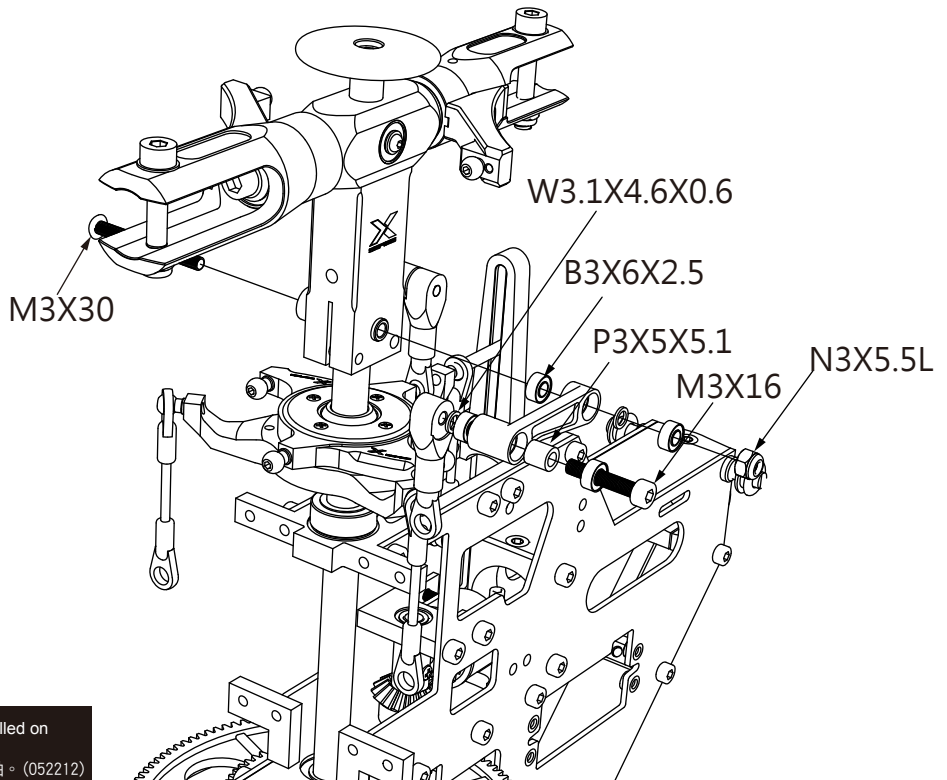


M3X30



N3X5.5L

057201(208401)
052209(208552)
052208(208555)
208906

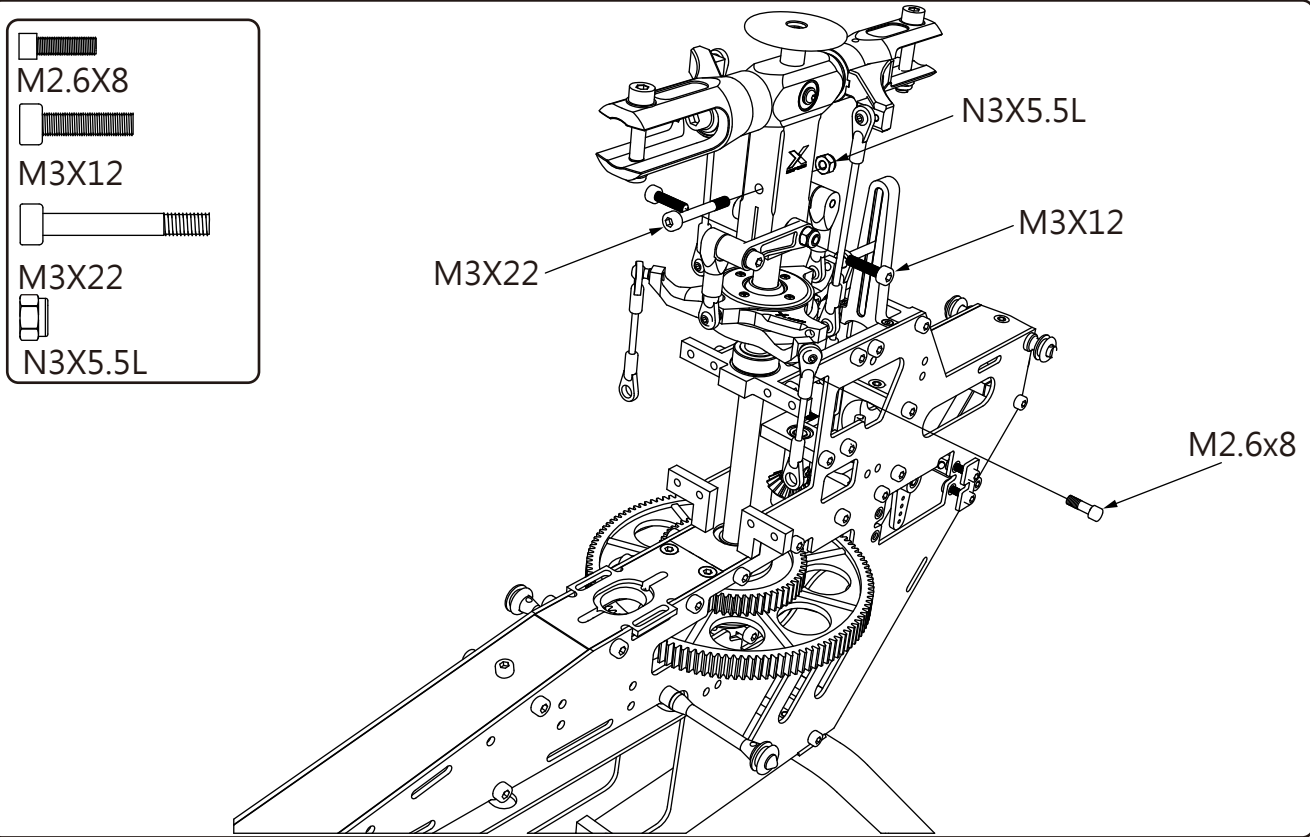


X5-V2 rotor head set should be installed on V2 main rotor axis(052212)
請注意X5-V2旋翼頭需配合專用V2主軸。(052212)

Rotor Head Assembly

旋翼頭組裝

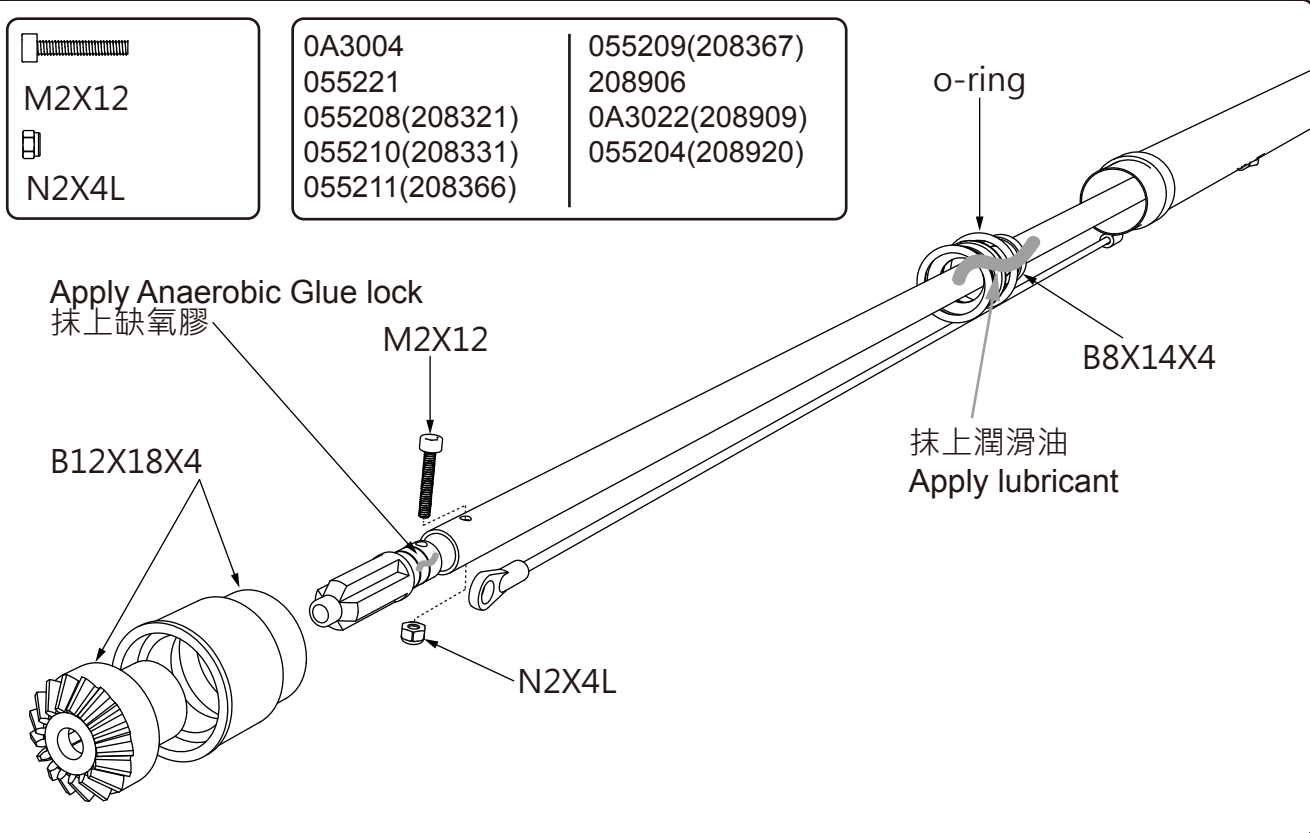
GAUI TAI SHIH HOBBY CORPORATION



Torque Tube Assembly

傳動軸組裝

GAUI TAI SHIH HOBBY CORPORATION

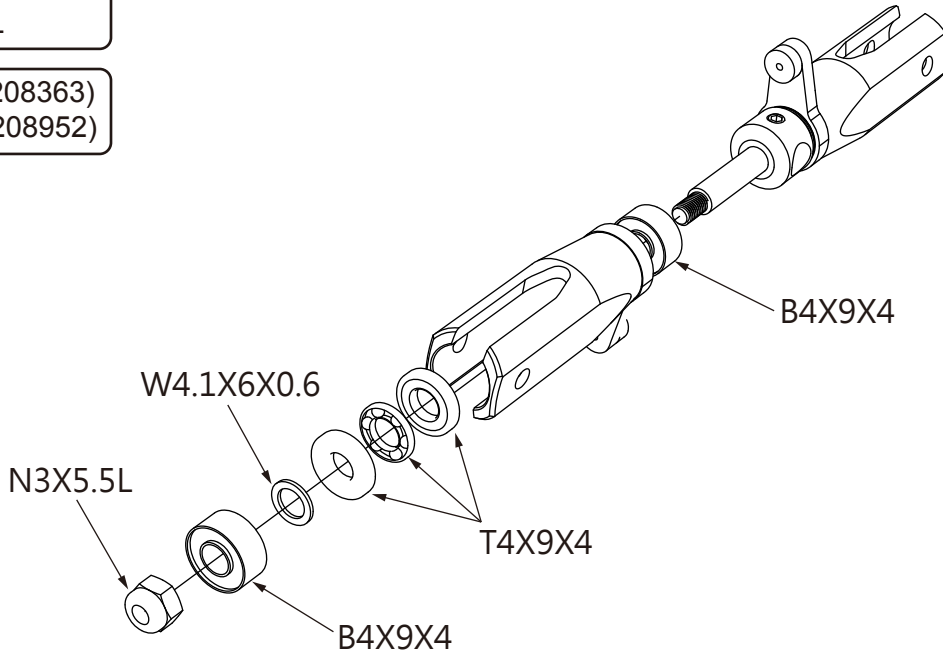




N3X5.5L

0A3011(208363)

0A3020(208952)



M2X10

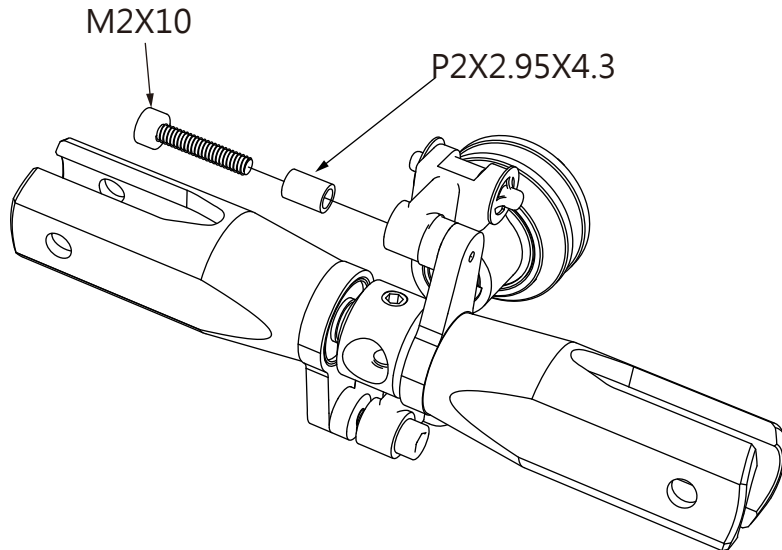
0A3011(208363)

0A3020(208952)

0A3001(803737)

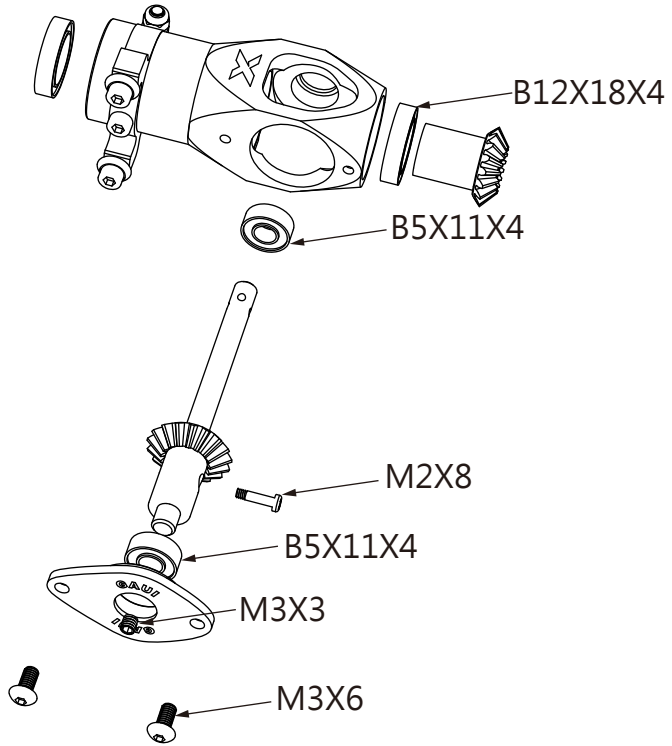
0A3018(935002)

0A3015(935003)



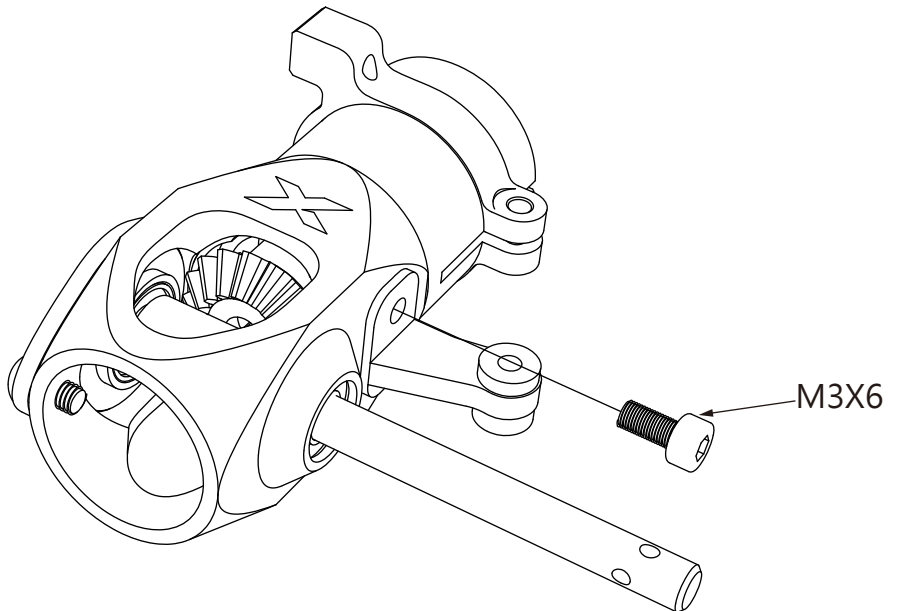
-  M2X8
-  M3X6
-  M3X3

- 055201(208380)
- 0A3017(208384)
- 0A3019(208385)
- 0A3022(208909)



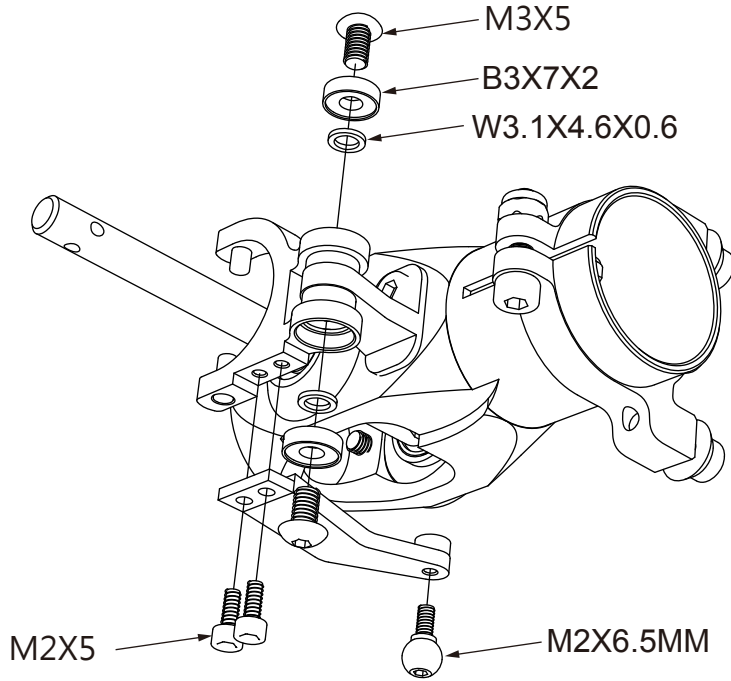
-  M3X6

- 0A3014(935004)



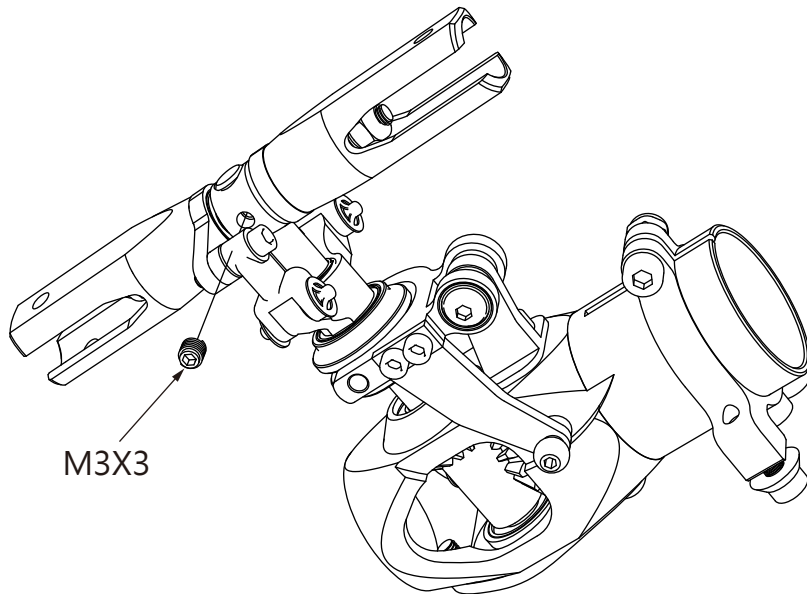
-  M2X5
-  M3X6






0A3018(935002)
0A3016(935005)



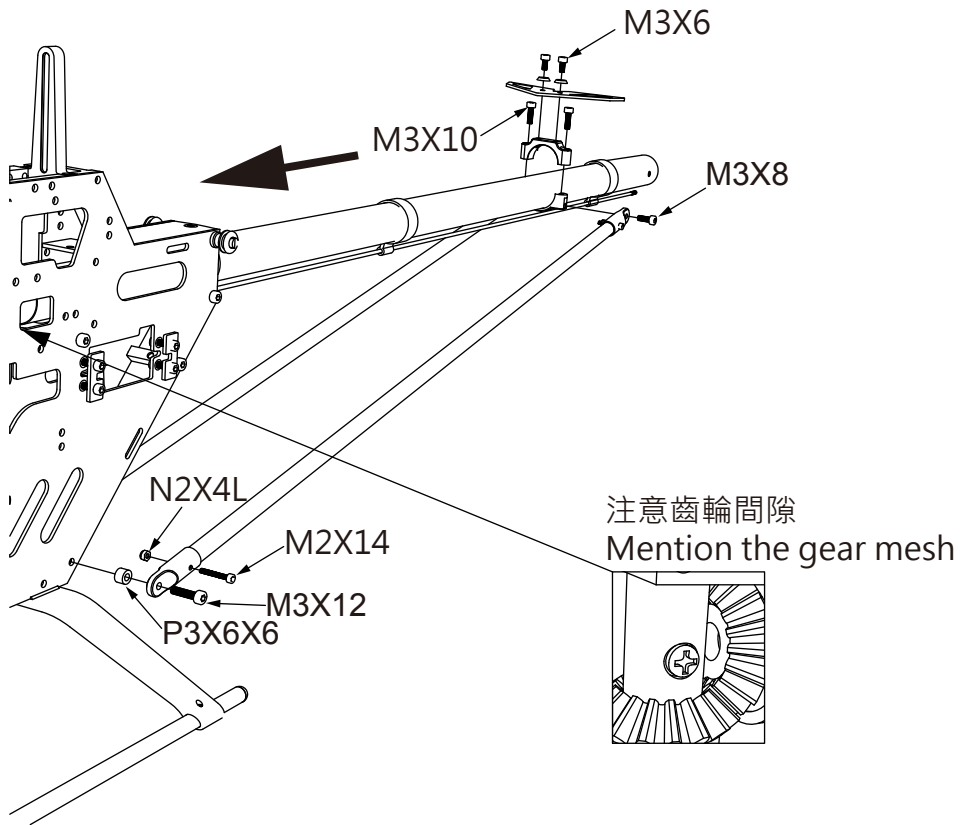
-  M3X3





0A3020(208952)
803737

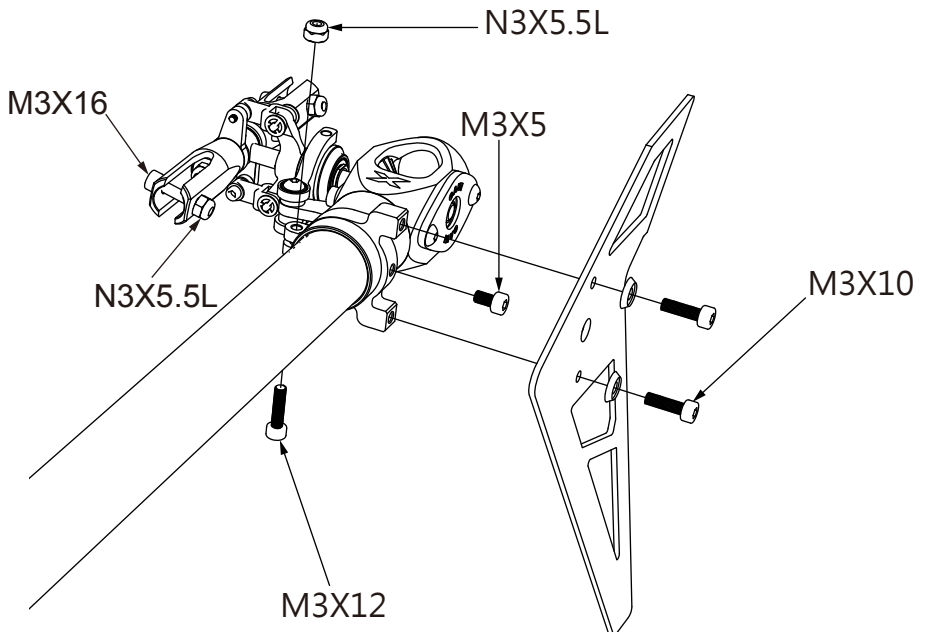


-  M2X12
-  M3X6
-  M3X8
-  M3X10
-  M3X12

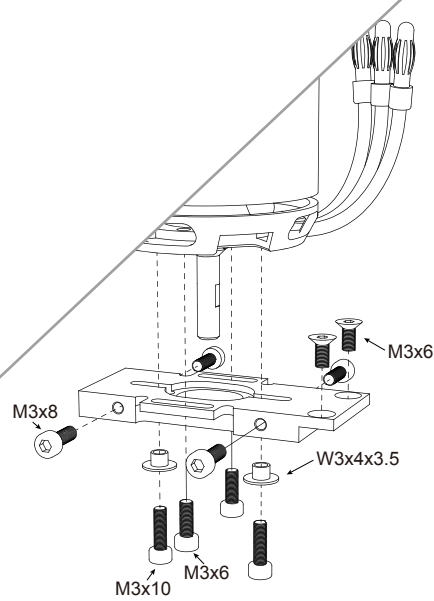
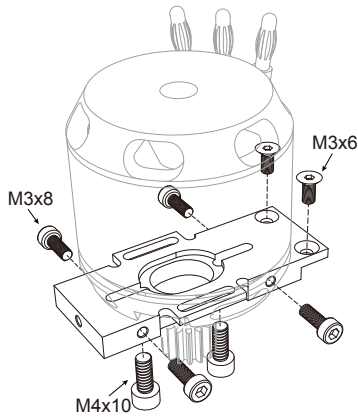
0A8059
056213
055001(208705)
208371



-  M3X12
-  M3X10
-  M3X6
-  N3X5.5L



for 217350-GUEC GM-350S 無刷馬達(500KV)
GUEC GM-350S Brushless Motor (500KV)



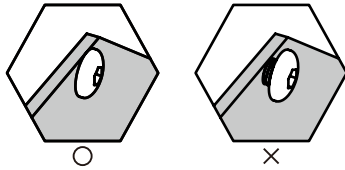
for 208601-GUEC GM-601無刷馬達(1820W-910KV)
GUEC GM-601 Brushless Motor (1820W-910KV)

Thoroughly Maintenance

深度保養

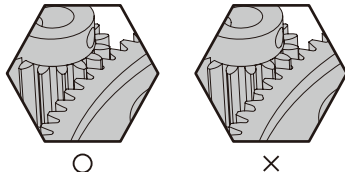
GAUI TAI SHIH HOBBY CORPORATION

1. Check all screws are tightened firmly, not loose.
各部位螺絲是否有確實鎖緊無鬆脫。

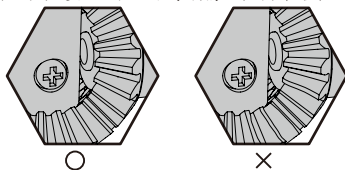


2. Check motor gear and main gear correspond to each other. No abnormal wear or distorted.

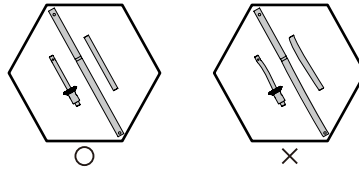
馬達齒是否與主齒盤正確契合並無異常磨耗或變型。



3. Check gear mesh between transmission gears are correct. That they are running smoothly, no abnormal wear. 傳動齒輪間隙是否正確並保持順暢並無異常磨耗。

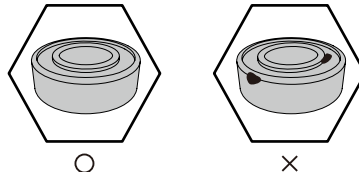


4. Check spindle, main axis, tail axis are running smoothly, not bent. Apply proper lubricants. 橫軸、主軸、尾橫軸、等是否順暢無彎曲並以潤滑油做適當補充。



5. Inspect all bearings are running smoothly. If found any abnormal, please replace new bearings for safe flight.

檢查各部位軸承是否順暢，如有異常請更換該軸承以確保飛行安全。



Main Rotor Maintenance Parts

0A1002	CNC煞車盤 (for X4, X4II, NX4, X5)	CNC Stop Plate (for X4, X4II, NX4, X5)
0A1005	FORMULA 主旋翼舵柄組 (X4, X4II, NX4, X5)	FORMULA CNC Main Grip Levers (X4, X4II, NX4, X5)
0A1006	橫軸橡皮墊 (硬度75) (for X4II, NX4, X5)	Damper rubber (Hardness 75) (for X4II, NX4, X5)
0A1007	橫軸橡皮墊 (硬度95) (for X4, X4II, NX4, X5)	Damper rubber (Hardness 95) (for X4, X4II, NX4, X5)
0Z6203	不鏽鋼連桿組 (2x49mm) x4個	Stainless Linkage Set (2x49mm) x4pcs
0Z6204	不鏽鋼連桿組 (2x23.5mm) x4個	Stainless Linkage Set (2x23.5mm) x4pcs
051209	橫軸 (for X5)	Spindle Shafts (for X5)
052204	主旋翼夾頭 (電鍍黑) (for X5)	Main Grip Set (Black anodized) (for X5)
052208	FORMULA CNC 剪型臂組 (for X5)	FORMULA CNC Washout Arm Assembly (for X5)
052209	FORMULA 十字盤組 (for X5)	FORMULA Swashplate Upgrade Set (for X5)
052210	X5 V2 CNC 主旋翼頭	X5 V2 CNC Main Rotor Yoke Set (Black anodized)
052212	X5 V2 新主軸 (軸8 / 172mm)	X5 V2 New Main Masts (軸8 / 172mm)
053202	CNC十字盤滑軌 (電鍍黑) (for X5)	CNC Swashplate Guide (Black anodized) (for X5)
057205	FORMULA 十字盤球頭組 (for X5)	FORMULA Swashplate Linkage Ball (for X5)

Frame Maintenance Parts

0A8001	伺服機固定片 (8件組) (for X5, R5, X7, NX7)	Servo Mounting Plate (Set of 8) (for X5, R5, X7, NX7)
0A2004	主齒輪殼附單向軸承 (for X4II, NX4, X5)	Main Gear Hub with One Way B. (for X4II, NX4, X5)
0A2006	120T主齒盤 (for X4II, NX4, X5)	120T Main Gears (for X4II, NX4, X5)
0A2007	61T齒輪 (for X4, X5)	61T Gear (for X4, X5)
0A2009	高剛性支撐架組 (黑) (for X4, X4II, NX4, X5)	High Rigidity Brace Set (Black) (for X4, X4II, NX4, X5)
0A2010	滑撬組 (陽極亮銀) (for X4II, NX4, X5)	Skid Set (Silver anodized) (for X4II, NX4, X5)
0Z1353	12mm C扣環x6個	12mm C-Clip x6pcs
053201	馬達座 (適用M3 & M4馬達螺絲孔-亮銀) (for X5)	Motor Mount (fit M3 & M4 screws-Silver anodized) (for X5)
053203	艙罩支柱 (電鍍亮銀) (39.5mm)x2 (42.5mm)x2 (for X5)	Canopy Posts (Silver anodized) (39.5mm)x2 (42.5mm)x2 (for X5)
053204	上伺服機座 (亮銀) (for X5)	Upper Servo Mount (Silver anodized) (for X5)
053205	下伺服機座 (亮銀) (for X5)	Lower Servo Mount (Silver anodized) (for X5)
053208	單向鋼套及C型環 (電鍍黑) (for X5)	One Way Sleeve Set (Black anodized) (for X5)
053210	方鋁柱附3mm牙孔及圓鋁柱 (for X5)	Alu Square Post with 3mm thread hole and Round Post (for X5)
054201	FORMULA 艙罩支柱組 (電鍍亮銀) (for X5)	FORMULA Canopy Posts (Silver anodized) (for X5)
054202	強化主軸輪擋 (for X5 V2)	Reinforced Mast Collar Set (for X5 V2)
053004	艙罩固定片 (4件組) (for X5)	Caonpy Plate (Set of 4) (for X5)
054003	X5 V2碳纖機身側板 (右 1.6mm)	X5 V2 CF Frame (Right 1.6mm)
054004	X5 V2碳纖機身側板 (左 1.6mm)	X5 V2 CF Frame (Left 1.6mm)
054005	X5 V2 碳纖陀螺儀座及電池座及強化板組	X5 V2 Stiffening Plates and Mounts for electronics
054006	X5 V2 機身側板強化片	X5 V2 support frame set
054204	X5 V2 第三軸承座	X5 V2 The 3rd Bearing Block Set

Please refer to official website or contact us for the latest news of GAUI products, the contents or equipments of the products actual packaged product may change and different from this manual.

本說書內的材質、規格，零件包裝之內容物僅供參考組裝用。泰世科技將不對此印刷物之任何異動更新負責，請以泰世科技公告為主。謝謝您的愛護與支持。

Tail Rotor Maintenance Parts

0A2005	CNC尾管固定座(陽極亮銀)(for X4, X411, NX4, X5)	CNC Boom Clamps (Silver anodized)(for X4, X411, NX4, X5)
0A3001	螃蟹夾推桿	Tail Pitch Slider Set
0A3003	CNC 水平翼固定座(陽極亮銀)(for X4, X411, NX4, X5, X7)	CNC Tail Support Clamp (Silver anodized)(for X4, X411, NX4, X5, X7)
0A3004	尾軸傳軸桿頭(for X4, X411, NX4, X5, X7, NX7)	Torque tube head(for X4, X411, NX4, X5, X7, NX7)
0A3005	尾傳動軸承墊圈組(for X411, NX4, X5, R5)	Torque Tube B. Holder Set(for X411, NX4, X5, R5)
0A3011	尾橫軸(for X411, NX4, X5, R5)	Tail Hub(for X411, NX4, X5, R5)
0A3017	尾軸(for X4, X411, NX4, X5, R5)	Tail Output Shaft(for X4, X411, NX4, X5, R5)
0A3019	一體成型尾殼座組(電鍍黑適用軸傳版)(for X4, X411, NX4, X5)	CNC Integrated Tail Gear Case(Black anodized & Shaft version)(for X4, X411, NX4, X5)
0A3020	CNC尾旋翼夾頭防止推軸承(5mm尾軸用)(for X4, X411, NX4, X5)	CNC Tail Rotor Grips with Thrust Bearings (for 5mm tail output shaft)(for X4, X411, NX4, X5)
0A3022	尾軸傳動齒輪包(for X4, X411, NX4, X5)	Torque Tube Drive Gear Set(for X4, X411, NX4, X5)
0A8059	襯套(P-3x6x6)x8pcs	Spacer (3x6x6) x8pcs
055001	碳纖尾翼組(for X5)	Fin and Tail Set(for X5)
055201	尾軸附傘齒組(for X5)	Tail Output Shaft and bevel gear set(for X5)
055202	尾傳動導輪軸(15T)附傘齒組(for X5)	Front drive gear set and Pulley Shaft with Steel Gear (15T)(for X5)
055204	尾軸傳動前齒輪組(for X5)	Torque Tube Front Gear Set(for X5)
055208	尾管(X5軸傳版用-電鍍黑)	Tail Boom (for X5 Shaft Driven Version-Black anodized)
055209	CNC軸傳動尾管總成(電鍍黑)(for X5)	Torque Tube Tail Boom Assembly (Black anodized)(for X5)
055210	尾舵拉桿(2x567 mm)(for X5軸傳版)	Tail Push Rod (2x 567 mm)(for X5 Shaft Driven Version)
055211	CNC尾傳動軸桿組(適用500mm槳)(for X5)	CNC Torque Tube with bearing (for 500L blades)(for X5)
056213	碳纖支撐桿(for X5 V2)	CF Tail Boom Support Rod Set(for X5 V2)
055403	拉桿座(for X5)	Rudder Control Guide(for X5)
055406	尾旋翼(82mm)(for X5)	Tail Rotor Blade Set (82mm)(for X5)
for Belt version		
055402	尾皮帶輪(for X5 & R5)	Tail Pulley Set(for X5 & R5)
208323	尾管(X5 皮帶版用-電鍍黑)	Tail Boom (for X5 Belt Version-Black anodized)
208911	X5 Lite皮帶 572XL	X5 Lite Tail Rotor Bel 572XL

Please refer to official website or contact us for the latest news of GAUI products, the contents or equipments of the products actual packaged product may change and different from this manual.

本說書內的材質、規格，零件包裝之內容物僅供參考組裝用。泰世科技將不對此印刷物之任何異動更新負責，請以泰世科技公告為主。謝謝您的愛護與支持。

Other Category

0A8053	沉頭墊片組 陽極亮紅(適用M3螺絲)x15個	Countsunk Washers (for M3 Machine Screw)x15pcs
0A8058	襯套 (P2x3.5x2.5)x10個 (P2x3x1.5)x10個	Spacer (P2x3.5x2.5)x10pcs(P2x3x1.5)x10pcs
0A8501	拉桿頭 (4.8mm)x10個	Ball Links Pack(4.8mm)x10pcs
0A8601	4.8 球頭 (2x4.5mm)x10個	4.8 Ball with Stand(2x4.5mm)x10pcs
0A8621	4.8球頭 (2x8.5mm)x6個	4.8Ball with Stand(2x8.5mm)x6pcs
057207	墊片包 (W6.2x7.5x0.5) (W6.1x10x1.5) (W4.1x10x1.4) (W3.1x4.6x0.6) (W3x6x0.5) (W4.1x6x0.5) (for X5)	Washer Pack (W6.2x7.5x0.5)(W6.1x10x1.5)(W4.1x10x1.4) (W3.1x4.6x0.6)(W3x6x0.5)(W4.1x6x0.5)(for X5)
208204	X5金屬鑰匙圈	X5 Key Ring
0B1104	軸承包 (12x18x4)x3個	B. Pack (12x18x4)x3pcs
0B1205	軸承包 (B25x32x4)	B. Pack (B25x32x4)
0B1301	軸承包 (3x7x2)x2個	B. Pack (3x7x2)x2pcs
0B1302	軸承包 (3x6x2.5)x4個	B. Pack (3x6x2.5)x4pcs
0B1401	軸承包 (4x9x4)x2個	B. Pack(4x9x4)x2pcs
0B1505	軸承包 (5x11x4)x4個	B. Pack (5x11x4)x4pcs
0B1601	軸承包 (6x13x5)x4個	B. Pack (6x13x5)x4pcs
0B1603	軸承包 (6x13x3.5)x4個	B. Pack (6x13x3.5)x4pcs
0B1701	軸承包 (7x11x3)x2個	B. Pack (7x11x3)x2pcs
0B1801	軸承包 (8x14x4)x3個	B. Pack (8x14x4)x3pcs
0B1802	軸承包 (8x16x5)x3個	B. Pack (8x16x5)x3pcs
0B2401	止推軸承包 (T4x9x4)x2個	Thrust B. Pack (T4x9x4)x2pcs
0B2601	止推軸承包 (T6x12x4.5)x2	Thrust B. Pack (T6x12x4.5)x2pcs
0B4101	單向軸承 (12x18x16)	One Way Bearing(12x18x16)
0R1205	內六角螺絲包-黑色 (M2x5)x10個	Socket Head Cap Screw - Black (M2x5)x10pcs
0R1214	內六角螺絲包-黑色 (M2x14)x10個	Socket Head Cap Screw - Black (M2x14)x10pcs
0R1306	內六角螺絲包-黑色 (M3x6)x10個	Socket Head Cap Screw - Black (M3x6)x10pcs
0R1308	內六角螺絲包-黑色 (M3x8)x10個	Socket Head Cap Screw - Black (M3x8)x10pcs
0R1310	內六角螺絲包-黑色 (M3x10)x10個	Socket Head Cap Screw - Black (M3x10)x10pcs
0R1312	內六角螺絲包-黑色 (M3x12)x10個	Socket Head Cap Screw - Black (M3x12)x10pcs
0R1316	內六角螺絲包-黑色 (M3x16)x10個	Socket Head Cap Screw - Black (M3x16)x10pcs
0R1410	內六角螺絲包-黑色 (M4x10)x10個	Socket Head Cap Screw - Black (M4x10)x10pcs
0R3306	內六角皿頭螺絲包-黑色 (M3x6)x10個	Socket Countersunk Screw - Black (M3x6)x10pcs
0R4303	內六角止付螺絲包-黑色 (M3x3)x10個	Socket Set Screw - Black (M3x3)x10pcs
0R4312	內六角止付螺絲包-黑色 (M3x12)x10個	Socket Set Screw - Black (M3x12)x10pcs
0R5208	十字機械牙螺絲包-銀色-半牙 (2x8)x12個	Machine Screws-Silver-Semi-(2x8)x12pcs
0R7210	內六角螺絲包-黑色 (M2.6x10)x10個	Socket Head Cap Screw - Black (M2.6x10)x10pcs
0R7316	半牙內六角螺絲包-黑色 (M3x16)x10個	Semi-threaded Socket Head Cap Screw - Black (M3x16)x10pcs
0R7423	半牙內六角螺絲包-黑色 (M4x23)x10個	Semi-threaded Socket Head Cap Screw - Black (M4x23)x10pcs
0R8204	止滑螺帽 (N2x4L)x10個	Nylon Lock Nut (N2x4L)x10pcs
0R8205	螺帽 (N2x4)x20個	Nut (N2x4)x20pcs
0R8305	止滑螺帽 (N3x5.5L)x20個	Nylon Lock Nut (N3x5.5L)x20pcs
0R8407	止滑螺帽 (N4x7L)x10個	Nylon Lock Nut (N4x7L)x10pcs
0W1113	華司 (W12.2x17x0.2)x10個	Washer (W12.2x17x0.2)x10pcs
0W4801	華司 (W4.2x8.4x0.5)x10個	Washer(W4.2x8.4x0.5)x10pcs
0W8103	華司 (W8x13x2)x5個	Washer(W8x13x2)x5pcs
0Z1001	魔鬼氈 (白)x4個	Velcro (White)x4pcs
0Z1002	魔術束帶 (1x20cm)x6個	Cable Tie with Touch Fastener (1x20cm)x6pcs
0Z1008	魔術束帶20mmx280mm(4件組)	Cable Tie with Touch Fastener 20x280mm (Set of 4)
0Z1301	艙罩墊圈 (5x10x4.5)x6個	Canopy Damper(5x10x4.5)x6pcs

Please refer to official website or contact us for the latest news of GAUI products, the contents or equipments of the products actual packaged product may change and different from this manual.

本說書內的材質、規格，零件包裝之內容物僅供參考組裝用。泰世科技將不對此印刷物之任何異動更新負責，請以泰世科技公告為主。謝謝您的愛護與支持。

X5V₂

GAUI

www.gai.com.tw

E-mail: gai@gai.com.tw

TEL: +886-2-86305567

FAX: +886-2-26105567

No.118, Ren'ai Rd., Bali Dist.,
New Taipei City 249, Taiwan

mit
MADE IN TAIWAN