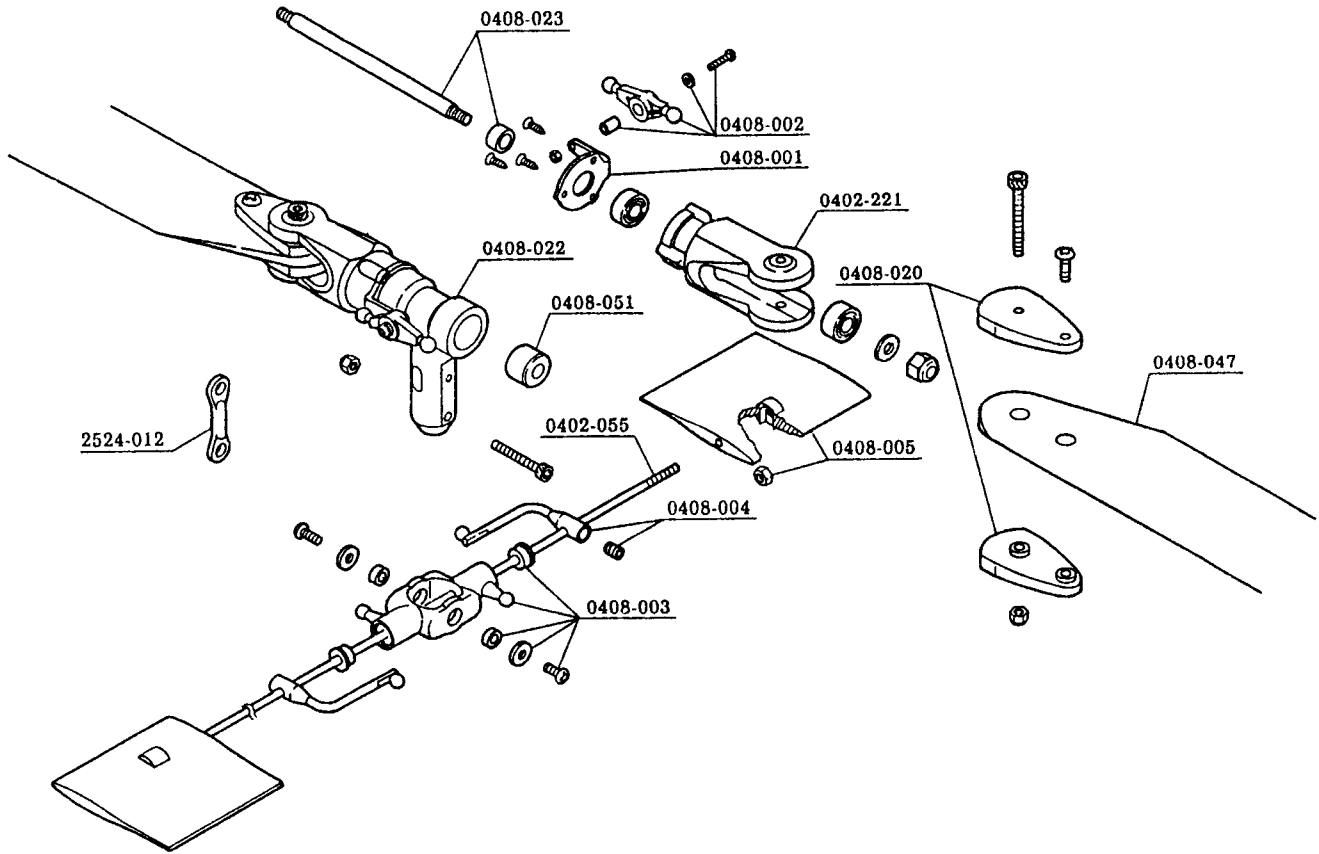
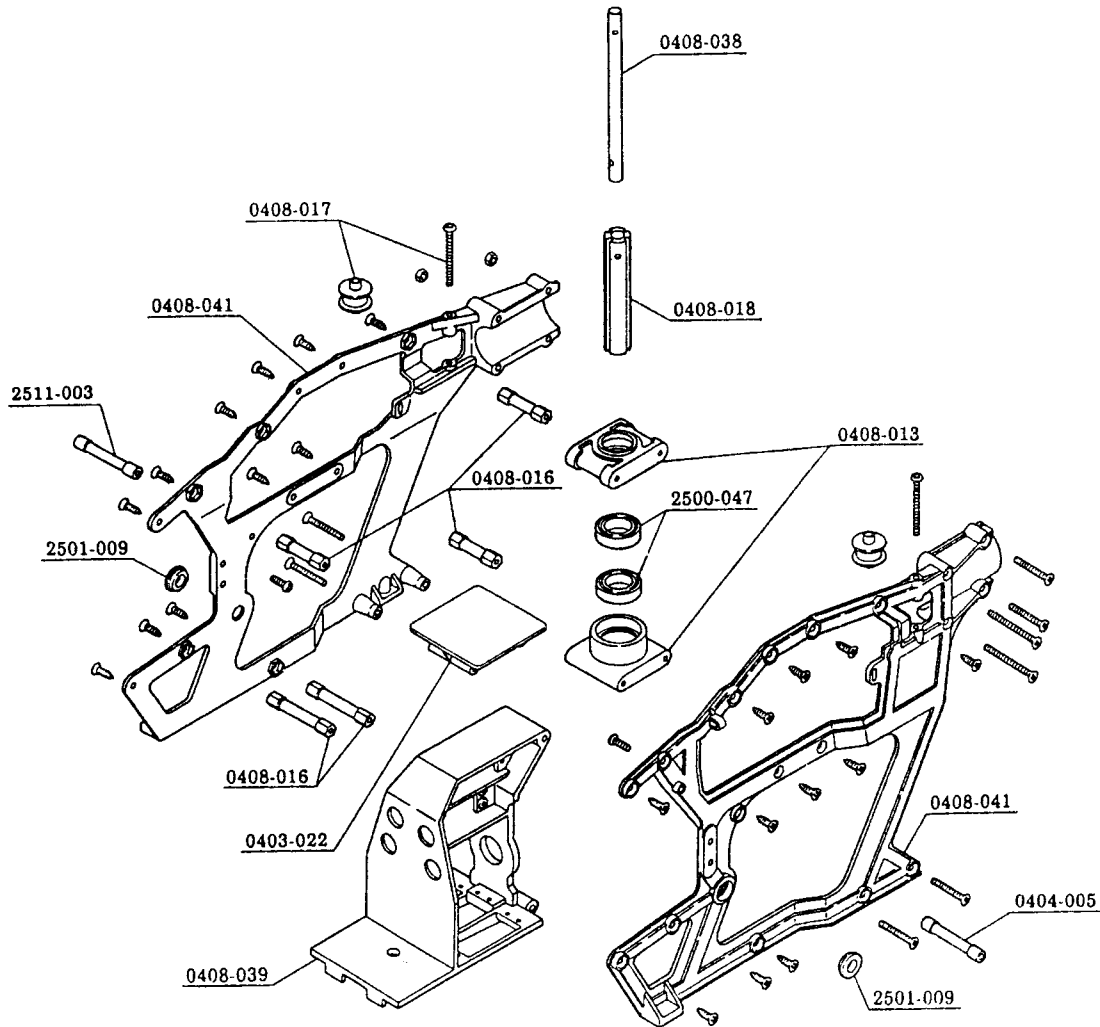


Rotor head



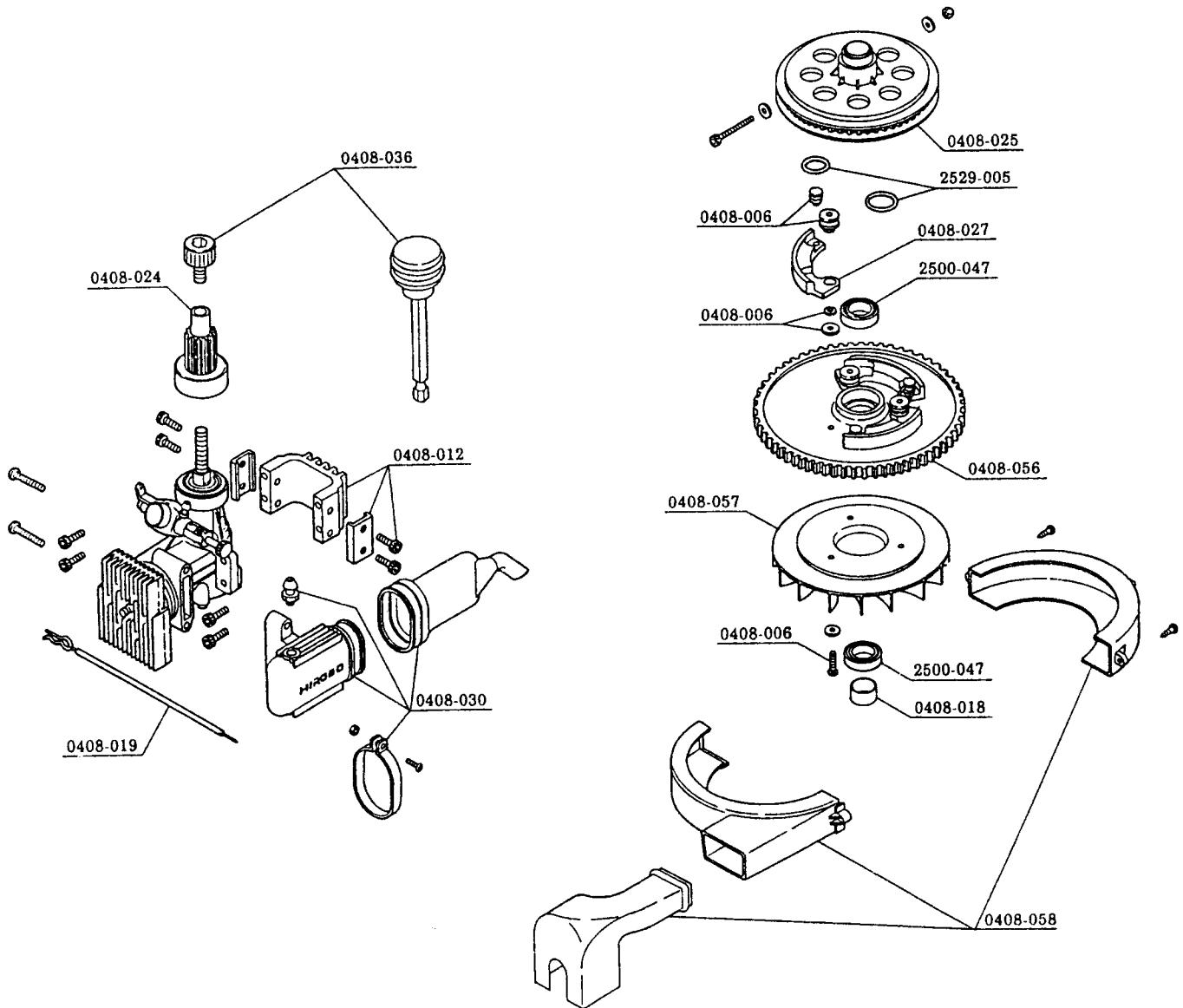
Code No.	Name of parts	Quantity	Japanese retail price (¥)	Remarks	MH-10	BK117	Ecureuil		
0402-055	Stabilizer bar	2	800		○	○	○		
0402-221	Blade holder set	2	1,200		○	○	○		
0408-001	Pitch arm	2	500	With screw	○	○	○		
0408-002	Mixing arm	2	500	With bushing and screw	○	○	○		
0408-003	Secsaw	1	700	With bushing and screw	○	○	○		
0408-004	Stabilizer control arm	2	600	With ø5 ball	○	○	○		
0408-005	Stabilizer blade	2	800	With nut	○	○	○		
0408-020	Root end	2	600	With screw	○	○	○		
0408-022	Yoke center hub	1	600	With screw and nut	○	○	○		
0408-023	Feathering spindle	2	600	With collar and nut	○	○	○		
0408-047	Main blade	2	2,500		○	○	○		
0408-051	Damper rubber	4	300	Gray	○	○	○		
2524-012	Double ball link	5	250		○	○	○		

Main frame



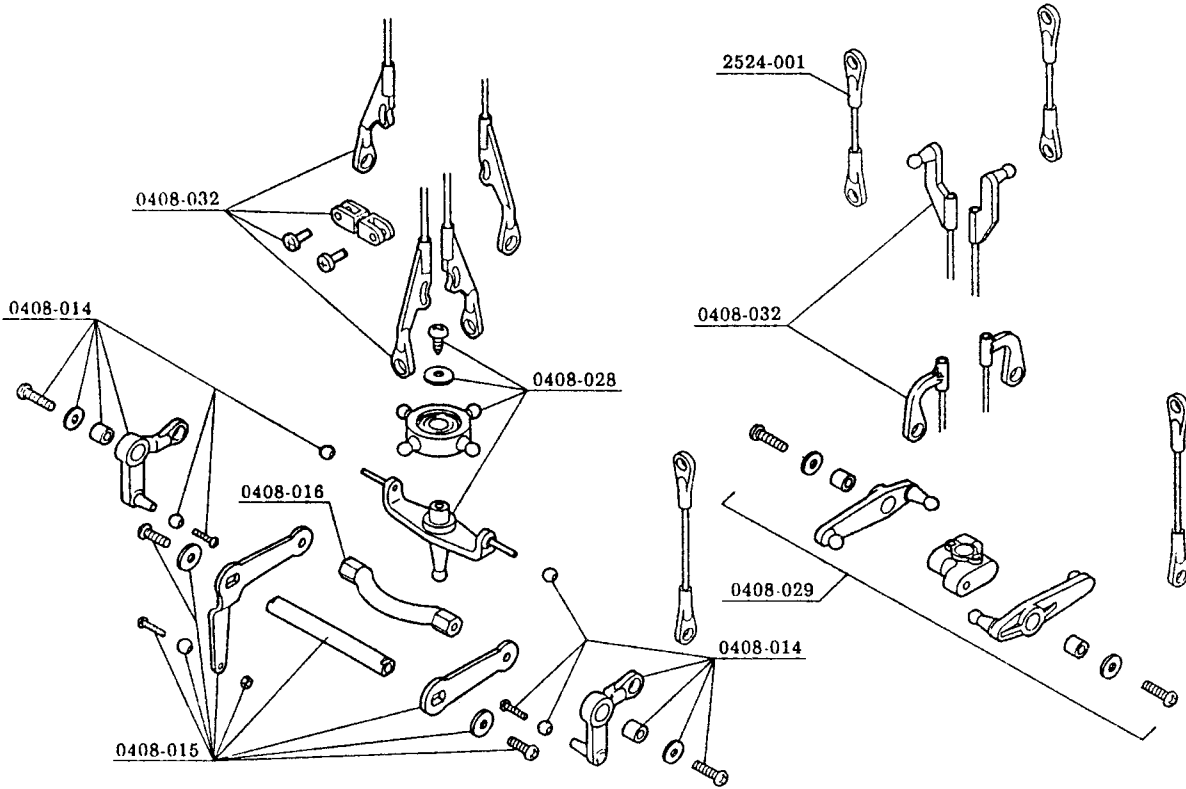
Code No.	Name of parts	Quantity	Japanese retail price (¥)	Remarks	MH-10	BK117	Ecureuil		
0403-022	Gyro mount set	1	300		○	○	○		
2511-003	Cross member M3×26	2	500		○	○	○		
0408-013	Bearing holder	2	500	A, B	○	○	○		
0408-016	Cross member	3	900	With No.3 type screw	○	○	○		
0408-017	Guide pulley	2	300		○	○	○		
0408-018	Rod guide	1	1,000	With collar	○	○	○		
0408-038	Main mast	2	800		○	○	○		
0408-039	Servo mount set	1	1,300	With screw	○	○	○		
0408-041	Main frame set	2	2,200		○	○	○		
2500-073	Bearing φ12×φ21×5ZZ	2	1,200	R, L	○	○	○		
2501-009	6×10×3F PB	4	400		○	○	○		

Driving portion



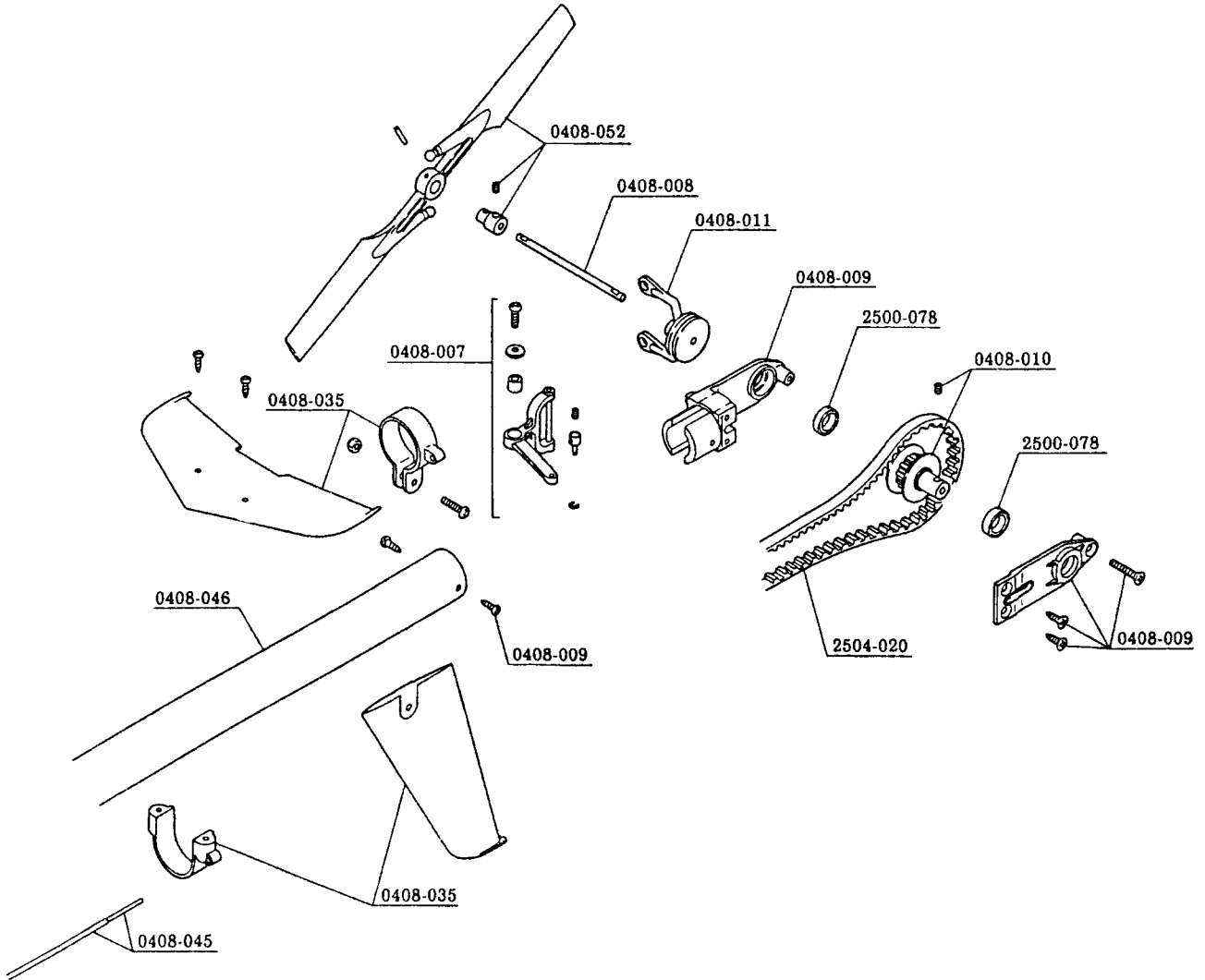
Code No.	Name of parts	Quantity	Japanese retail price (¥)	Remarks	MH-10	BK117	Ecureuil		
0408-006	Clutch shoe collar	6	900	Stopper and screw	○	○	○		
0408-012	Engine mount	1	1,000	With screw	○	○	○		
0408-019	Plug heat	1	200		○	○	○		
0408-024	Pinion gear 14T	1	1,300	With flywheel	○	○	○		
0408-025	Clutch bell with pulley	1	1,300	With lining	○	○	○		
0408-026	Main gear	Discontinued		Use 0408-056	○	○	○		
0408-027	Clutch shoe	3	2,800		○	○	○		
0408-028	Swash plate set	1	800		○	○	○		
0408-030	Muffler	1	1,800	With manifold	○	○	○		
0408-036	Starter set	1	1,000	Shaft joint	○	○	○		
0408-037	Cooling fan cover two pieces type	Discontinued		Use 0408-058	○	○	○		
0408-005	O-ring P-12	5	300		○	○	○		
0408-057	Cooling fan	1	500		○	○	○		
0408-058	Cooling cover three piece type	1 set	1,000		○	○	○		

Linkage



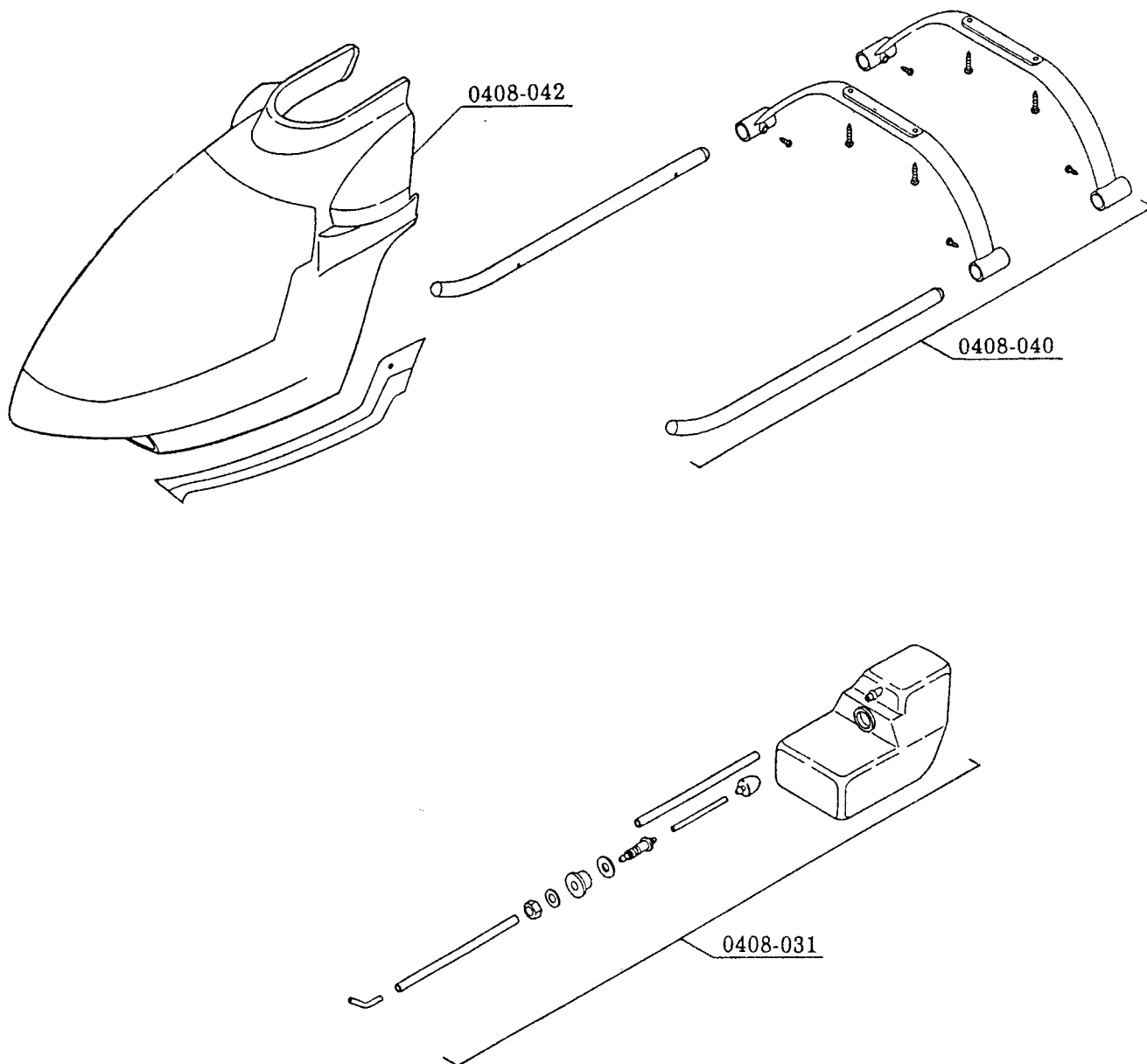
Code No.	Name of parts	Quantity	Japanese retail price (¥)	Remarks	MH-10	BK117	Ecureuil		
0408-014	L-type lever	2	600	R, L, with screw and ball	○	○	○		
0408-015	Collective pitch lever	1	900	With arm and screw	○	○	○		
0408-016	Cross member	3	900	With No.3 type screw	○	○	○		
0408-029	Wash-out set	1	700		○	○	○		
0408-032	Linkage set A	1	2,300	Rotor head section	○	○	○		
0408-033	Linkage set B	1	800	Servo mount section	○	○	○		
2524-001	Rod end	10	500		○	○	○		

Tail



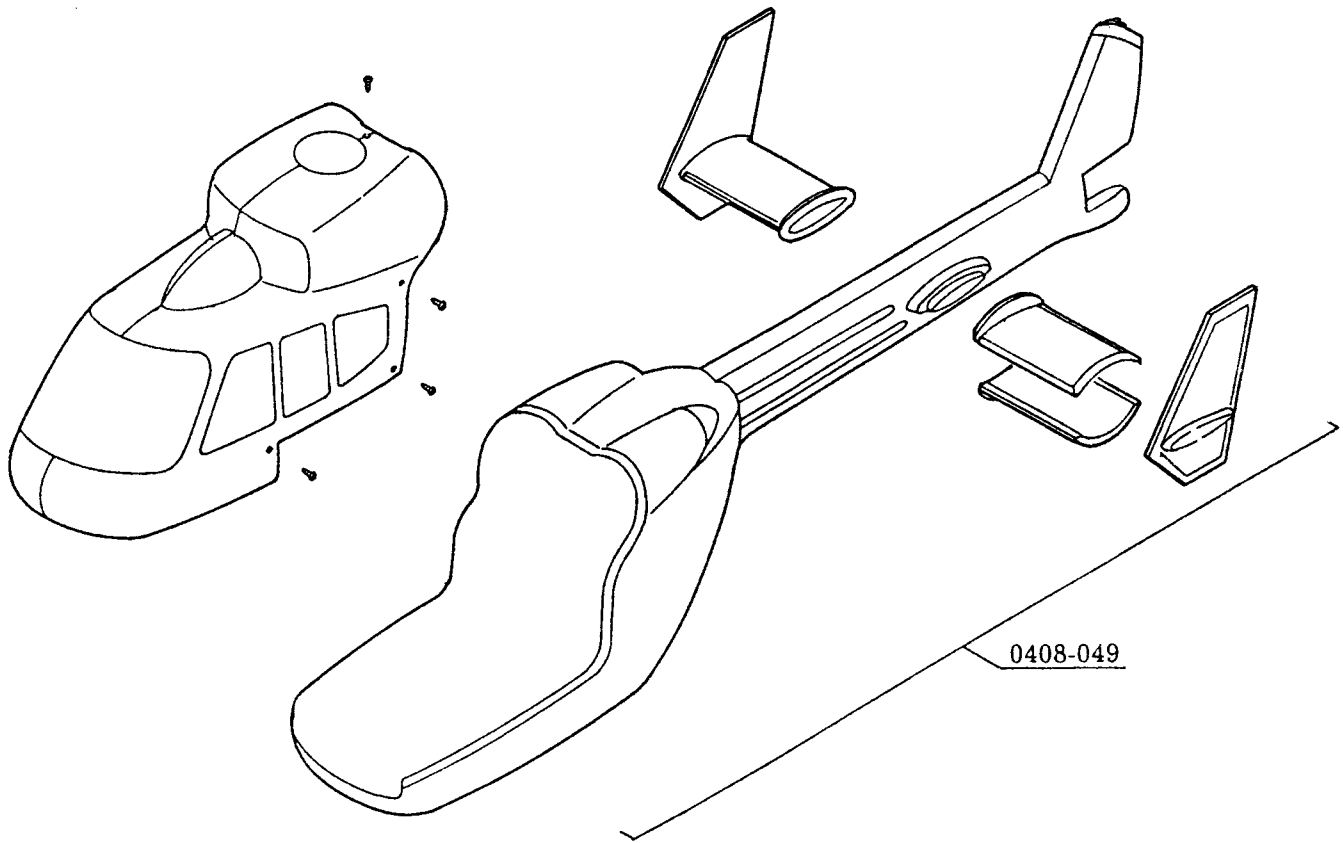
Code No.	Name of parts	Quantity	Japanese retail price (¥)	Remarks	MH-10	BK117	Ecureuil		
0408-007	Tail pitch lever	1	500	Stopper and pin	○	○	○		
0408-008	Tail rotor shaft	2	500	With SS	○	○	○		
0408-009	Tail transmission case	1	500	R, L with and screw	○	○	○		
0408-010	Tail pulley 10T	1	300	With screw	○	○	○		
0408-011	Tail pitch plate	1	400		○	○	○		
0408-034	Tail rotor assembly	Discontinued		Pre-assembled	○	○	○		
0408-035	Stabilizer set	1	800	Horizontal, vertical and bracket	○	○	○		
0408-045	Rudder control set	1	200	Rod and pipe	○	○	○		
0408-046	Tail pipe	1	800		○	○	○		
0408-052	Tail housing set	1	1,800		○	○	○		
0408-053	Tail blade	2	500		○	○	○		
2500-078	Bearing $\phi 8 \times \phi 12 \times 3.5ZZ$	2	1,000		○	○	○		
2504-020	Timing belt 512XL	1	1,600		○	○	○		

Body · Others



Code No.	Name of parts	Quantity	Japanese retail price (¥)	Remarks	MH-10	BK117	Ecureuil		
0408-021	Wrench set	Discontinued		L-type and plug	○	○	○		
0408-031	Fuel tank set	1	900		○	○	○		
0408-040	Landing gear set	1	1,800		○	○	○		
0408-042	Cabin set	1	4,800	R, L	○	○	○		
0408-043	Instruction manual	1	600		○	○	○		
0408-044	Transcribing mark	1	800		○	○	○		

BK117 Body



Code No.	Name of parts	Quantity	Japanese retail price (¥)	Remarks	MH-10	BK117	Ecureuil		
0408-048	BK117 decal	1	1,000		○	○			
0408-049	BK117 body set	1	12,000		○	○			
0408-050	BK117 body mount	1	500		○	○			
0408-051	Damper rubber	4	400		○	○			
0408-052	Tail housing set	1 set	1,800	With tail blade and pitch plate	○	○	○		
0408-053	Tail blade	2	500	For 0408-052	○	○	○		
0408-054	Tail housing	1	600	For 0408-052	○	○	○		
0408-055	Tail shaft	2	500	For 0408-052	○	○	○		
0408-056	Main gear	1	800		○	○	○		
0408-057	Cooling fan	1	500		○	○	○		
0408-058	Cooling cover 3 pc. type	1 set	1,000		○	○	○		
0408-059	Ecureuil body set	Discontinued			○		○		
0408-060	Ecureuil decal	1	1,000		○		○		
0408-061	GP muffler	1 set	2,000		○	○	○		