

PRÔTOS

Instructions Manual

Plastic



Main rotor diameter : 965mm
Tail rotor diameter : 192mm
Length without main blades : 955mm
Length with main blades : 1185mm
Main blades length : 425mm
Overall height : 270mm
Tail rotor - Main rotor ratio : 4,65
Main pulley : 93T
Weight ready to fly with 6sLipo : 1550g(may vary with different electronics)

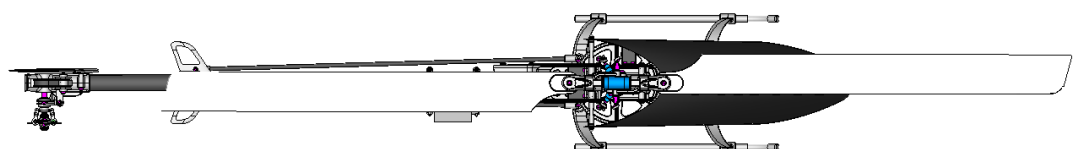
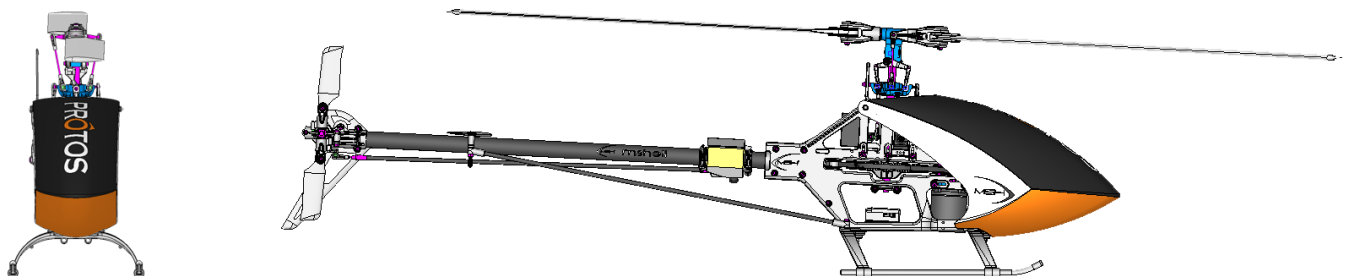
RC Helicopter

PRÔTOS

Instructions Manual

Index

Page	Content
3	Always follow these rules for safety
4	Tools required for assembly
5	R/C equipment required for assembly
6	Motor pinion teeth choice
7-13	Main Frame Assembly
14-19	Head Assembly
20-28	Tail Assembly
29-31	Motor Installation
32	Battery, ESC and Canopy Installation
33	Belt Tensioning Diagram
34	Main blades
35-46	Spare parts



Always follow these rules for safety

Operate the helicopter in open areas with no people nearby.

Do NOT operate the helicopter in the following places and situations (or else you risk severe accidents):

- in places where children gather or people pass through
- in residential areas and parks
- indoors and in limited space
- in windy weather or when there is rain, snow, fog or other precipitation

If you do not observe these instructions you may be held liable for personal injury or property damage!

Always check the R/C system prior to operating your helicopter.

When the R/C system batteries get weaker, the operational range of the R/C system decreases.

Note that you may lose control of your model when operating it under such conditions.

Keep in mind that other people around you might also be operating a R/C model.

Never use a frequency which someone else is using at the same time.

Radio signals will be mixed and you will lose control of your model.

If the model shows irregular behavior, bring the model to a halt immediately and disconnect the batteries. Investigate the reason and fix the problem.

Do not operate the model again as long as the problem is not solved, as this may lead to further trouble and unforeseen accidents.

In order to prevent accidents and personal injury, be sure to observe the following:

Before flying the helicopter, ensure that all screws are tightened.

A single loose screw may cause a major accident.

Replace all broken or defective parts with new ones, as damaged parts lead to crashes.

Never approach a spinning rotor. Keep at least 10 meters/yards away from a spinning rotor blades.

Do not touch the motor immediately after use. It may be hot enough to cause burns.

Perform all necessary maintenance.

PRIOR TO ADJUSTING AND OPERATING YOUR MODEL, OBSERVE THE FOLLOWING

Operate the helicopter only outdoors and out of people's reach as the main rotor operates at high rpm!

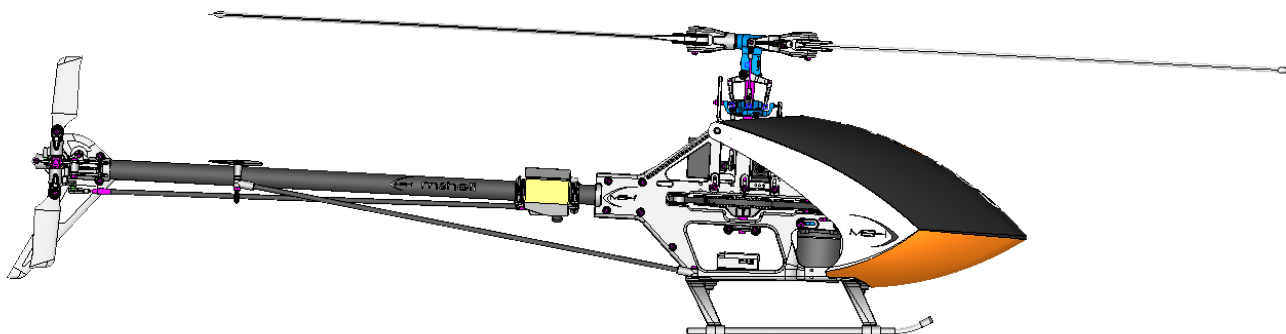
While adjusting, stand at least 10 meters

Novice R/C helicopter pilots should always seek advice from experienced pilots to obtain hints with assembly and for pre-flight adjustments.




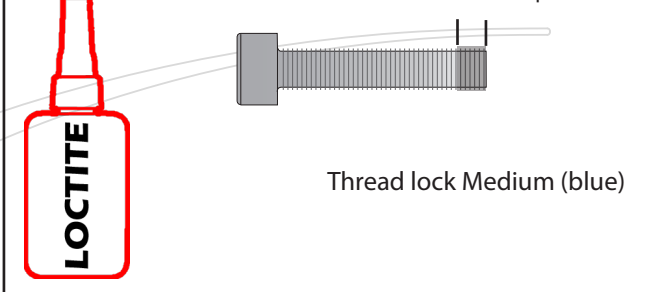
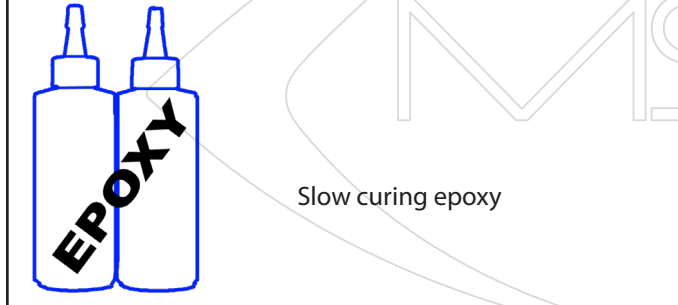
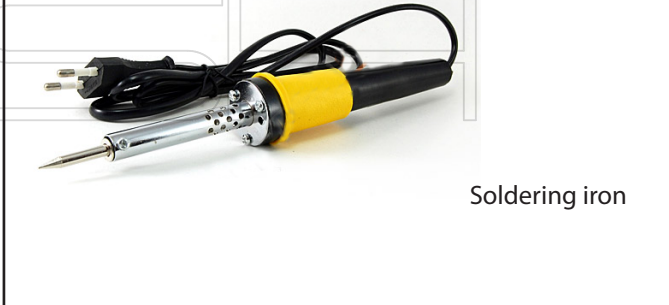
Note that a badly assembled or insufficiently adjusted helicopter is a safety hazard!

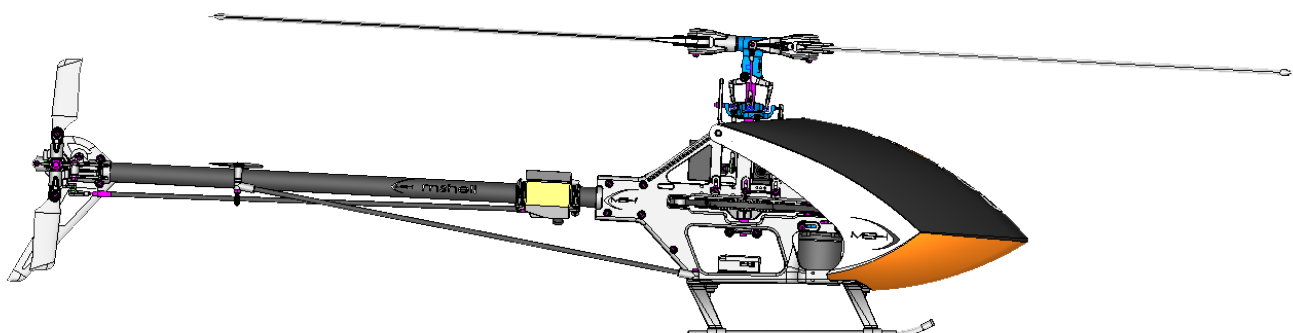
In the beginning, novice R/C helicopter pilots should always be assisted by an experienced pilot and never fly alone!

MSHeli Srl
Italy



Tools required for assembly

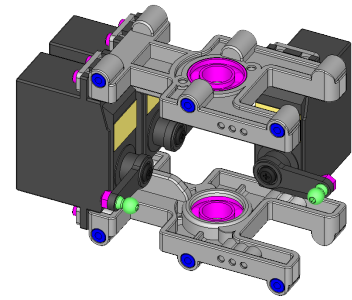
 <p>1.5 / 2 / 2.5 mm Hexagon screw drivers</p>	 <p>Philips Screw driver</p>
 <p>Needle nose pliers</p>	 <p>Glue width 2mm approx. Thread lock Medium (blue)</p>
 <p>Slow curing epoxy</p>	 <p>Soldering iron</p>



R/C equipment required for assembly

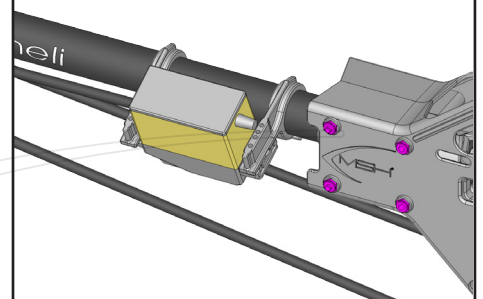
Swashplate servos supported:

Mini servos



Tail servo supported:

Mini and Regular size servos



Transmitter / Receiver:

Satellites:

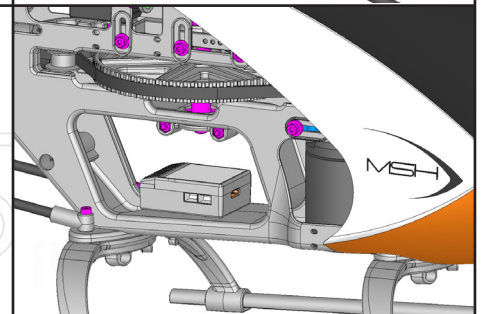
Spektrum : DSM 2 - DSM X

Futaba : S-Bus - S-Bus 2

HOTT SumD

MPX Srxl

Standard receiver: all

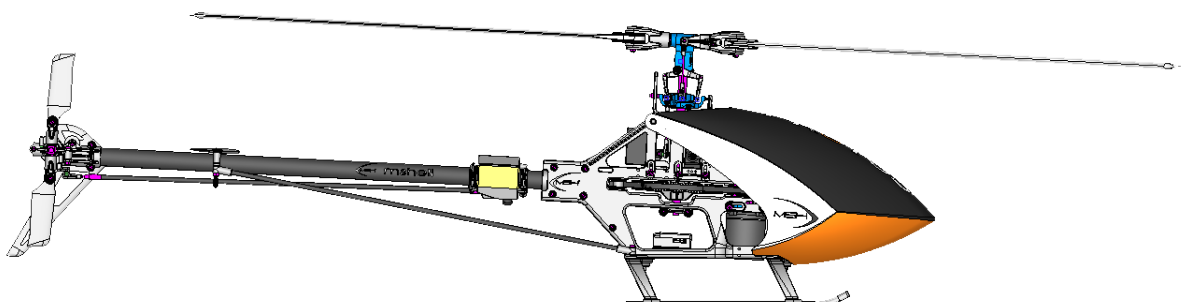
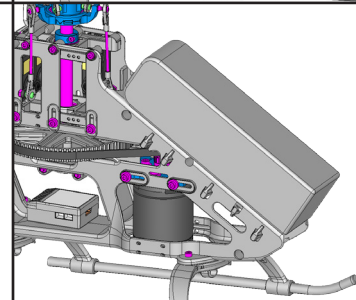


Battery pack:

LiPo 4s 3700mAh

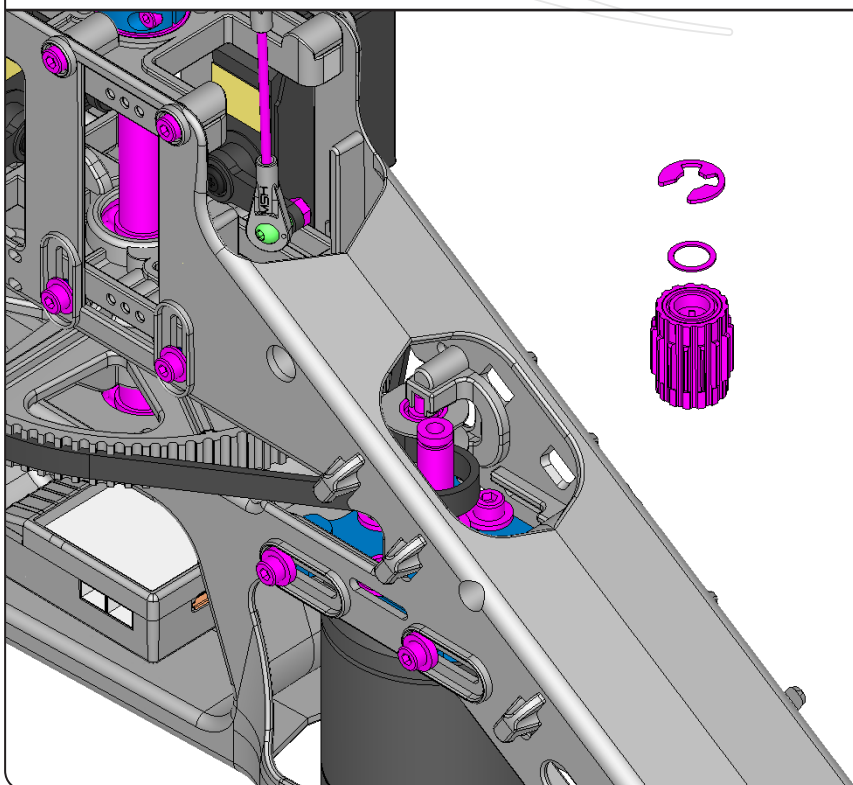
LiPo 5s 3300/3700mAh

LiPo 6s 2500mAh/3000mAh



Motor pinion teeth choice

Battery type	LiPo 4s	LiPo 5s 3700mAh	LiPo 6s 2500mAh
Fly Style			
Beginner	18T (2400RPM) (Motor AdapterMSH51007)	15T (2500RPM) (Motor AdapterMSH51007)	-
Sport	19T (2550RPM) (Motor AdapterMSH51007)	16T (2650RPM) (Motor AdapterMSH51007)	13T (2550RPM) (Motor Adapter MSH51098 or MSH51338)
Soft 3D	20T (2650RPM) (Motor AdapterMSH51007)	17T (2850RPM) (Motor AdapterMSH51007)	14T (2750RPM) (Motor Adapter MSH51098 or MSH51338)
Hard 3D	-	18T (2950RPM) (Motor AdapterMSH51007)	15T (3000RPM) (Motor AdapterMSH51007)



BAG-A



Hex Screw
M2x10
MSH51114



Hex Screw
M2.5x5
MSH51148



Ball M2x4.8
MSH51009



M2 Nut
MSH51136

BB 8x16x5
MSH51067
MSH51041

Ball
M2x4.8
MSH51009

Hex Screw
M2x10
MSH51114

Servo Frame
MSH51067
MSH51041

Servo Adapter
MSH51037

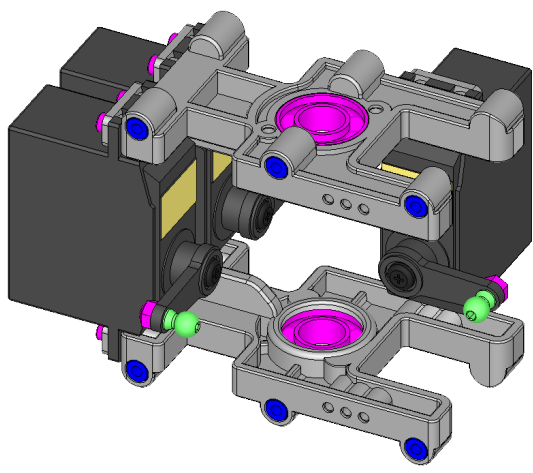
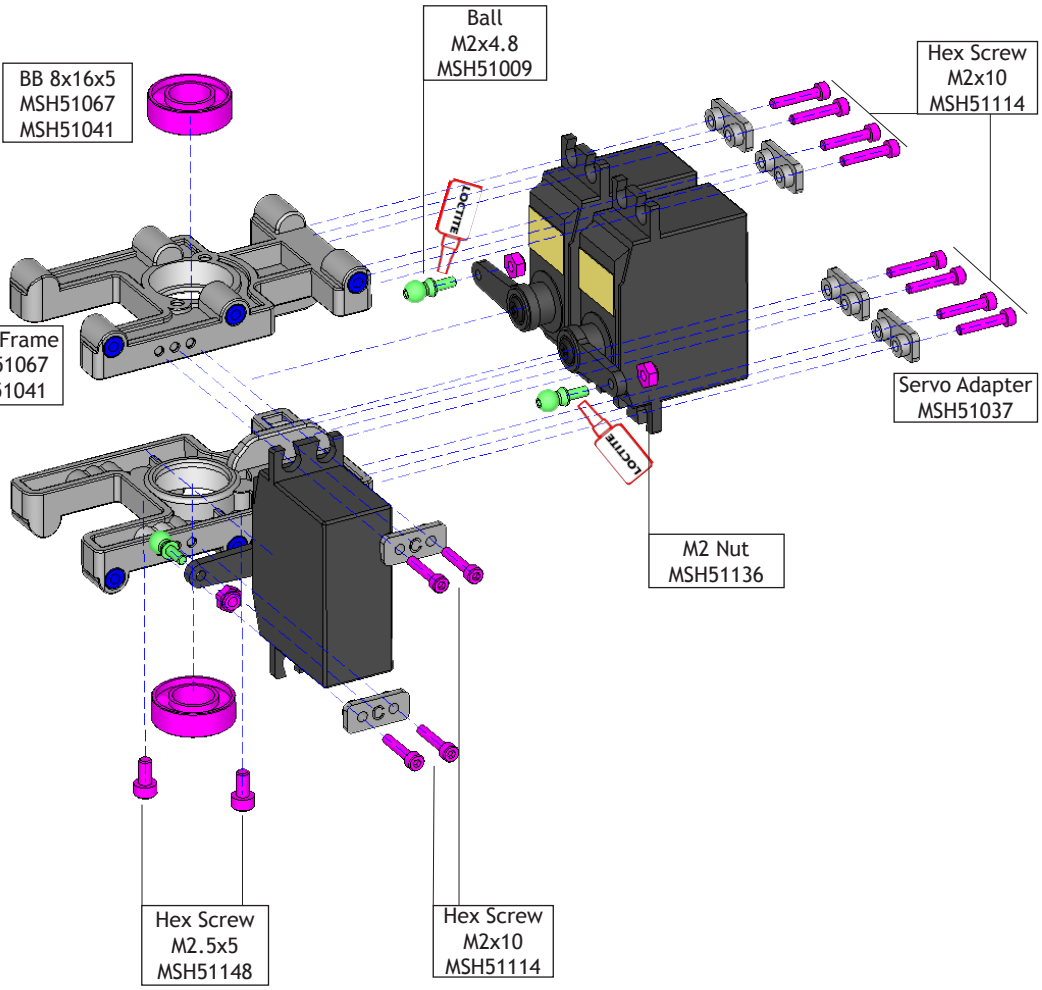
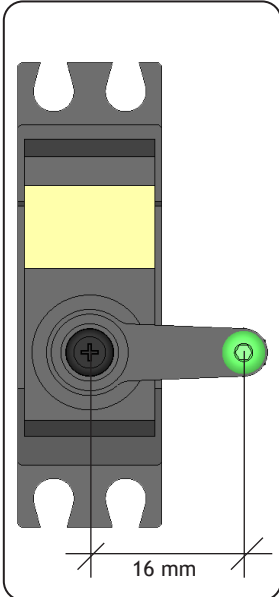
M2 Nut
MSH51136

Hex Screw
M2.5x5
MSH51148

Hex Screw
M2x10
MSH51114

Tips/Instructions

Hex screw M2.5x5 only on lower servo frame.

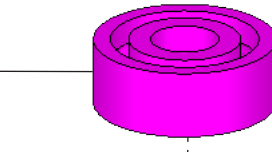


BAG-B

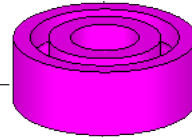
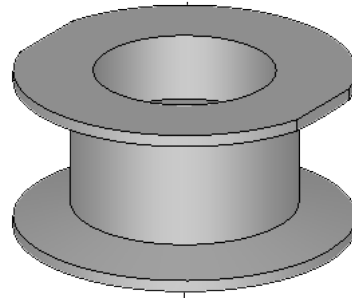


Pin 3x14
MSH51033

BB 3x8x3
MSH51072
MSH51033



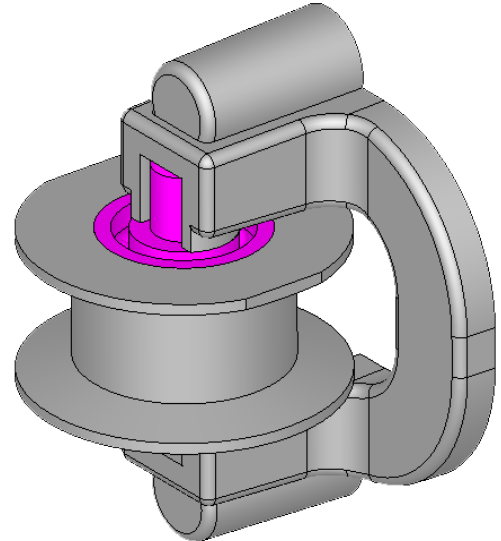
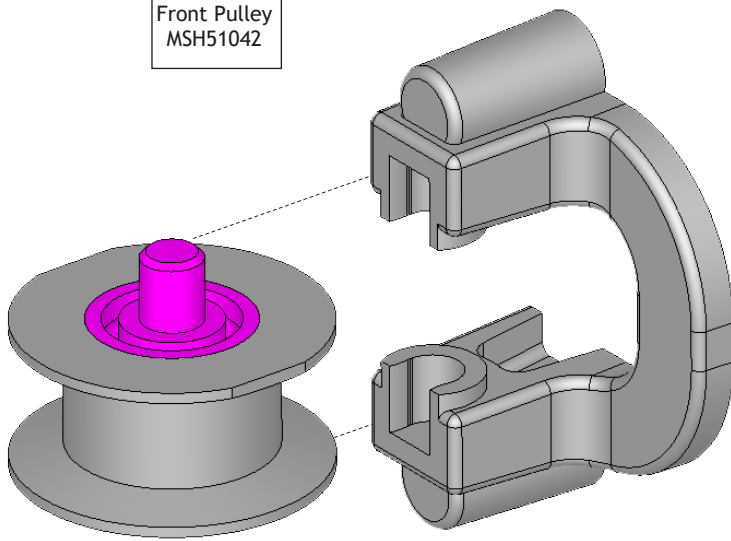
Guide Pulley
MSH51033




Pin 3x14
MSH51033

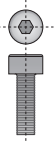


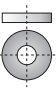
Front Pulley
MSH51042



BAG-B

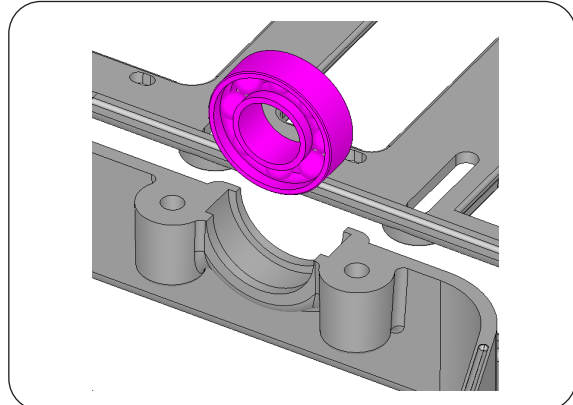
- 

Hex Screw
M2.5x6
MSH51153
- 

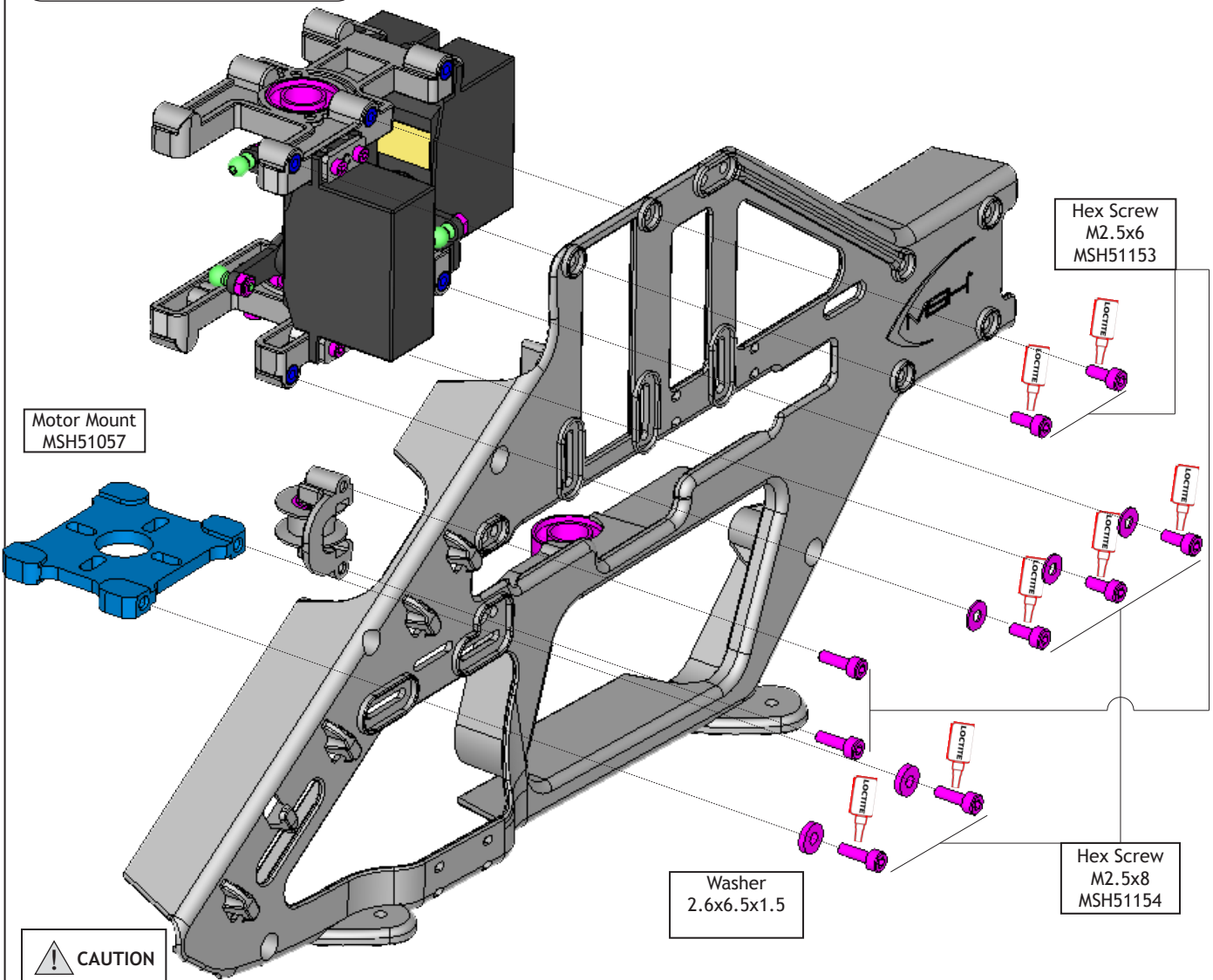
Hex Screw
M2.5x8
MSH51154
- 

Washer
2.6x6.5x1.5
MSH41217

Caution





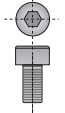
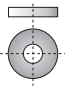

BB 8x16x5
MSH51067

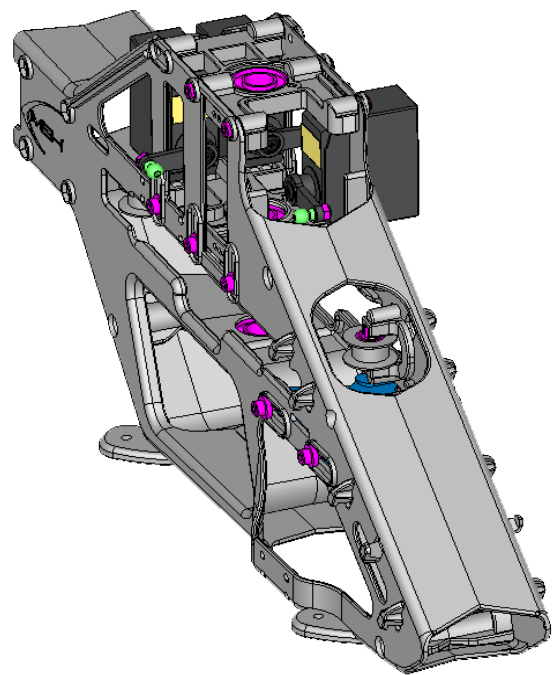
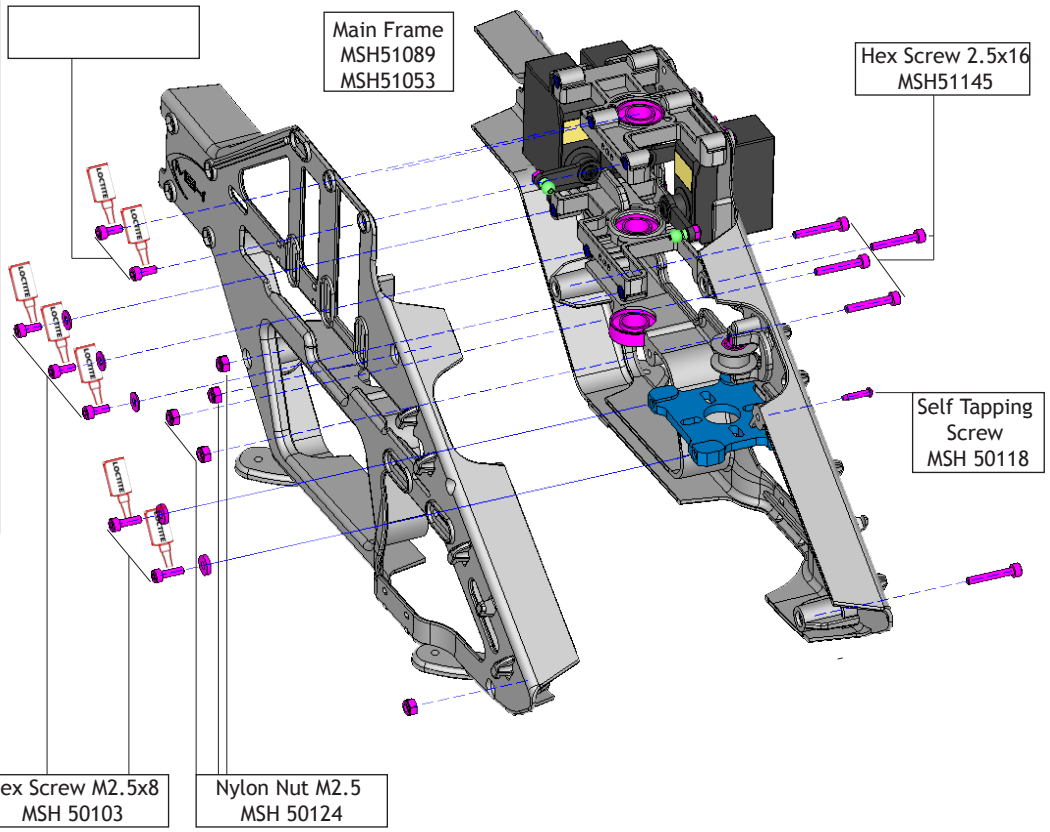


CAUTION

Use Thread lock on every screw metal/metal such as screws that keep the servo frame in place.

BAG-B

-  M2.5 Nylon Nut
MSH 50124
-  Hex Screw M2.5x16
MSH51145
-  Hex Screw M2.5x6
MSH153
-  Washer 2.6x6.5x1.5
-  Self Tapping Screw
2.2x9.5
MSH 50118







Tips/Instructions

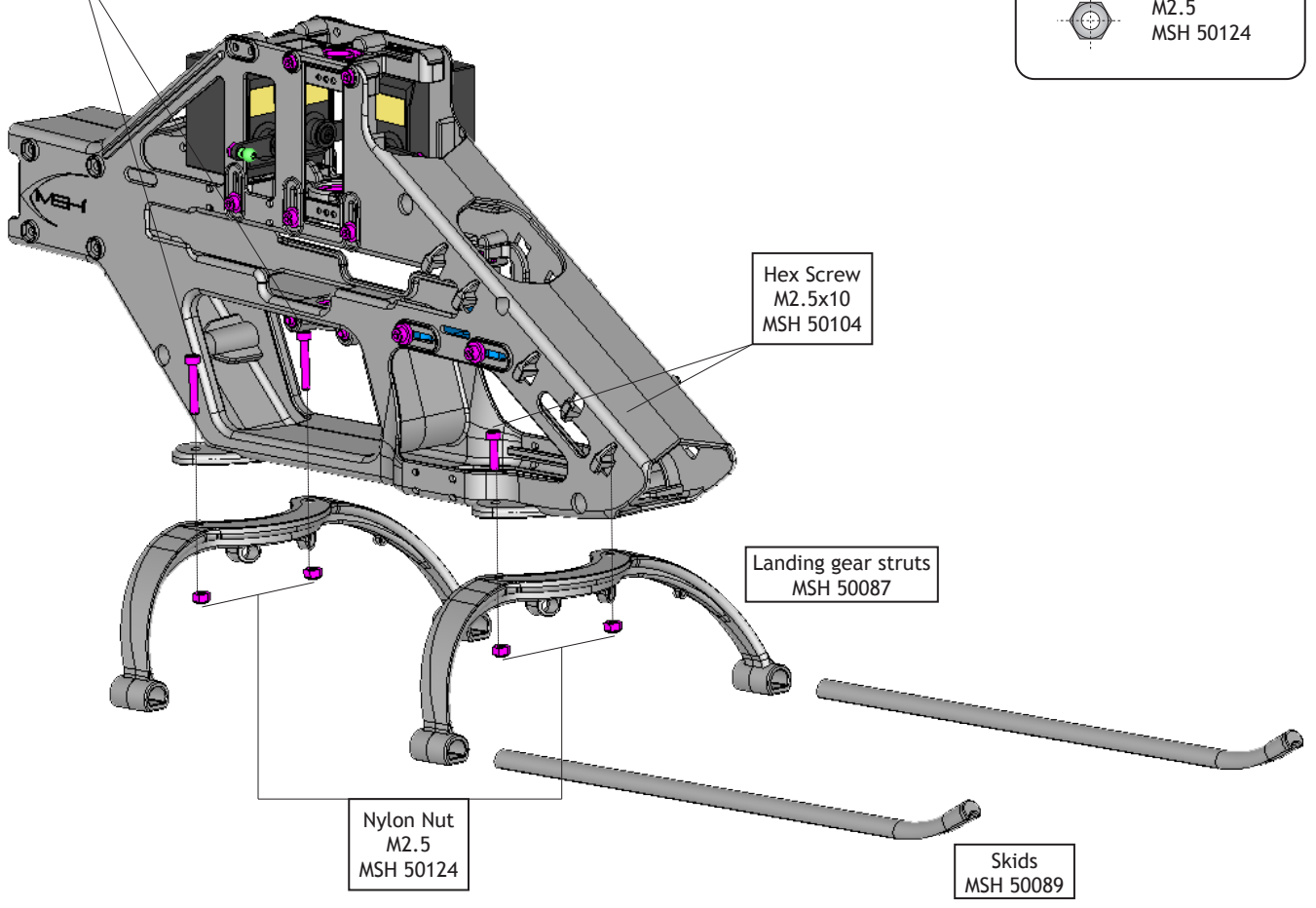
Slide skids in both struts until "click" in position. Both struts should "click".

If Skids are hard to slide in position use an hair drier to heat struts holes.

BAG-B

-  Hex Screw
M2.5x10
MSH 50104
-  Hex Screw
M2.5x16
MSH 50106
-  Nylon Nut
M2.5
MSH 50124
-  Hex Nut
M2.5
MSH 50124

Hex Screw
M2.5x16
MSH 50106



CAUTION

Do not fully tighten hex screws 2.5x16 yet as they are used later to keep boom braces in position.

BAG-B



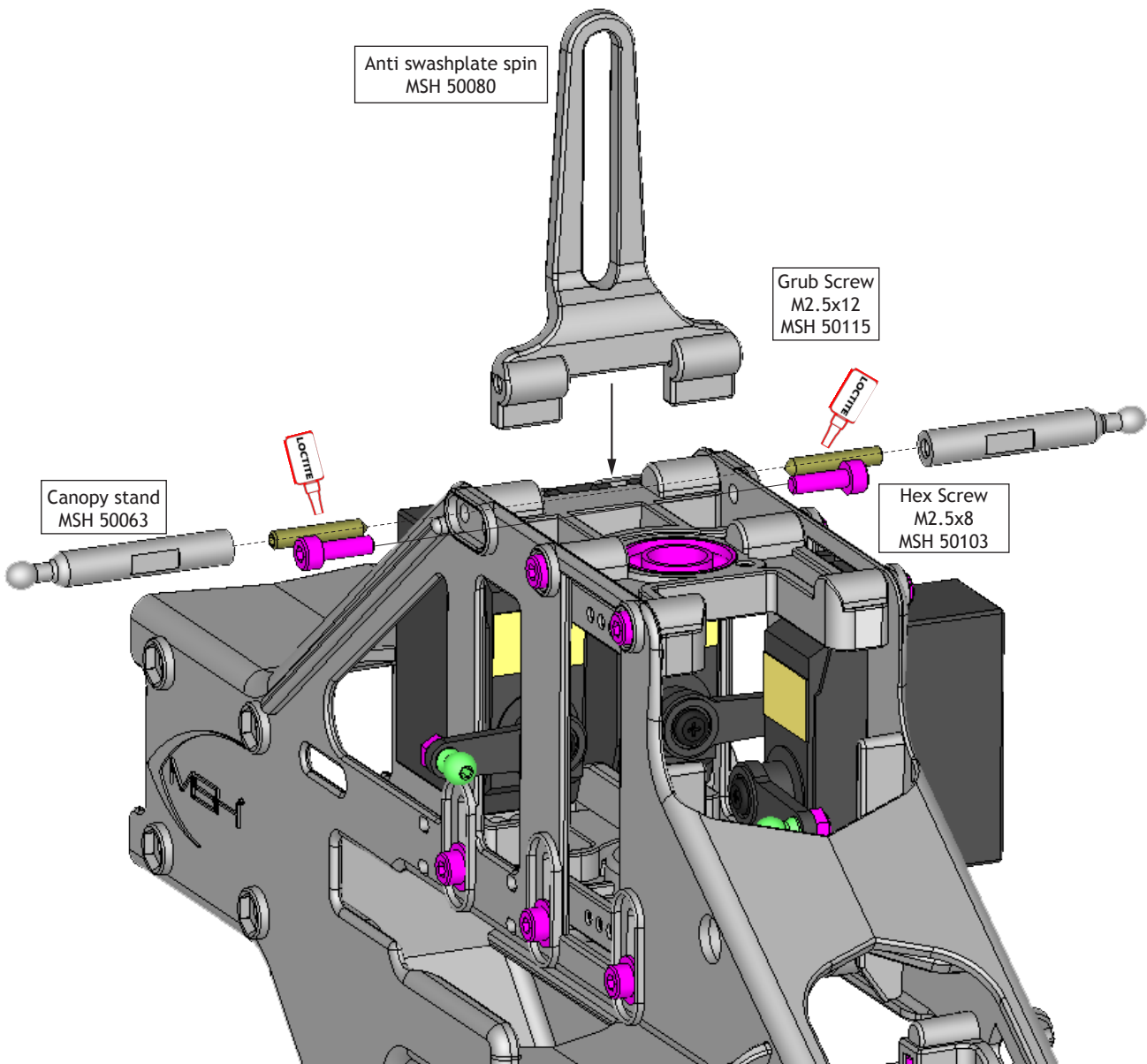
Grub Screw
M2.5x12
MSH 50115




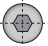

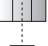
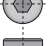
Hex Screw
M2.5x8
MSH 50103

Tips/Instructions

Use thread lock on grub screw M2.5x12 on the side that goes in the servo frame. Grub screw can be screwed in by hand and tightened with MSH 50063 (Canopy post) using the two flat surfaces.



BAG-C
Belt from box

-  Hex Screw
M2x6
MSH 50098
-  Hex Screw
M3x20
MSH 50112
-  Nylon Nut
M3
MSH 50125
-  Hex Screw
M3x8
MSH 50110
-  Washer
3.1x10x1
MSH 50121

Tips/Instructions
Make sure hex screw M3x8 is fully tightened on bottom of main shaft than pulling main shaft gently lock collar in position. Main shaft should not have any vertical play.

Very Important !!
After this step main shaft must not have any axial play !

Main shaft hollow
MSH 50004

Main shaft lock
MSH 50023

Hex Screw
M2x6
MSH 50098

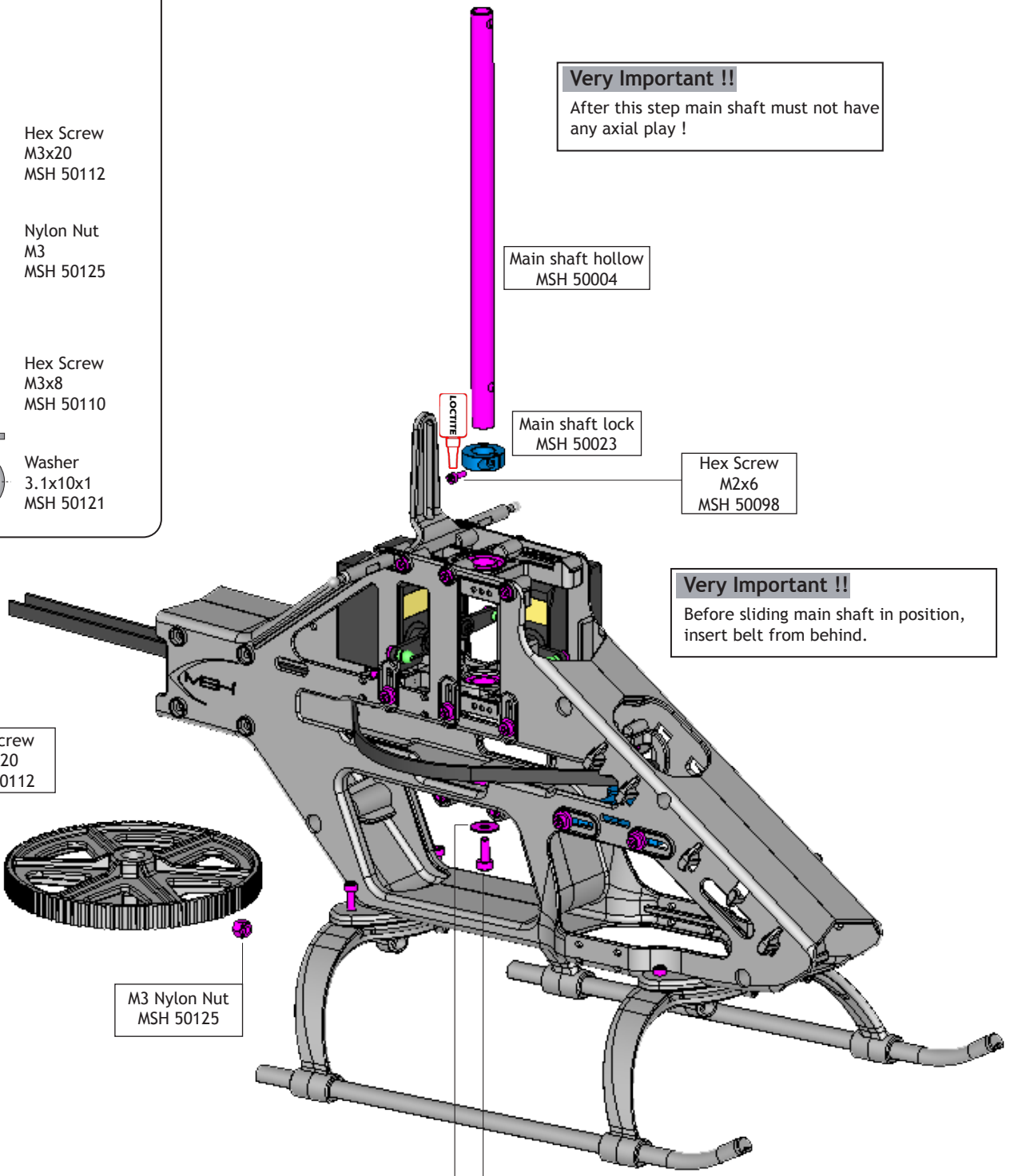
Very Important !!
Before sliding main shaft in position, insert belt from behind.

Hex Screw
M3x20
MSH 50112

M3 Nylon Nut
MSH 50125

Washer
3.1x10x1
MSH 50121

Hex Screw
M3x8
MSH 50110

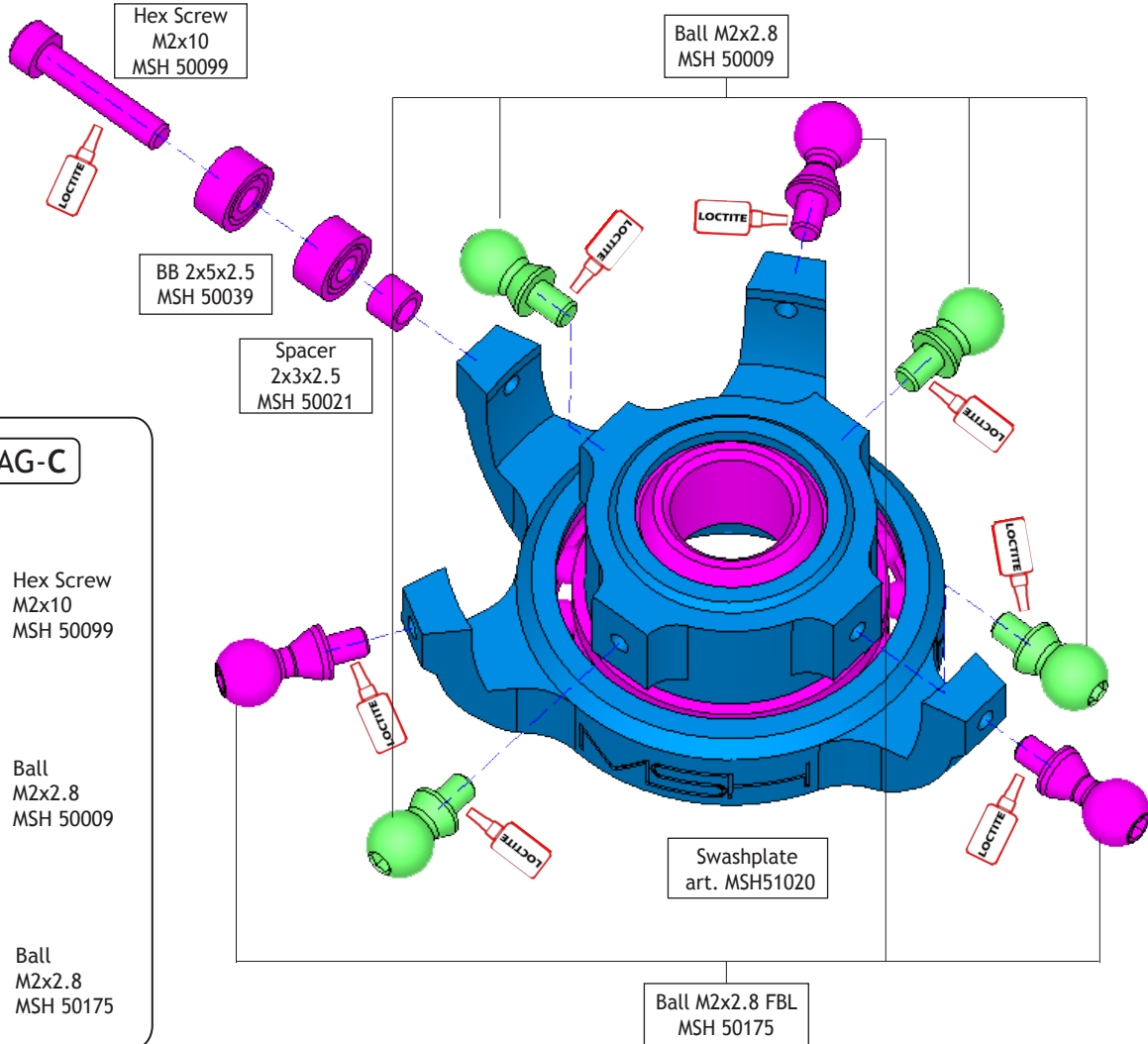


Tips/Instructions



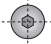
Use Thread lock on balls and screw M2x10.

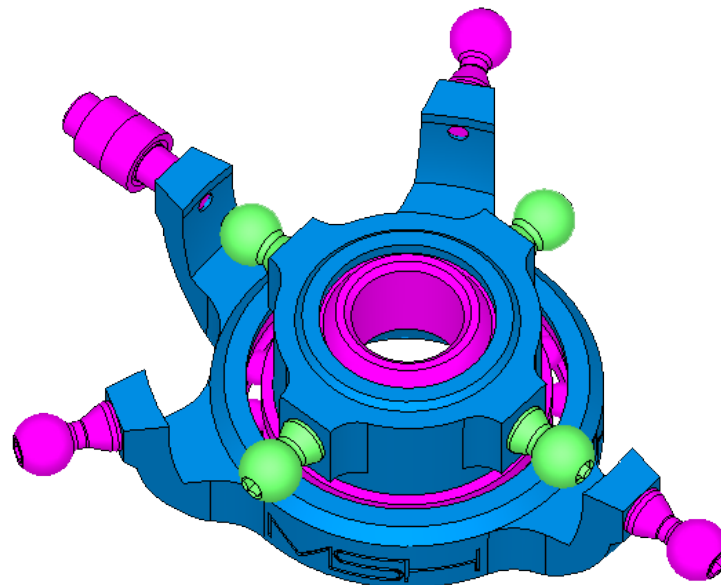
Important

Please pay attention to ball length :
Longer on the outer part of swashplate
and Shorter on the inside.

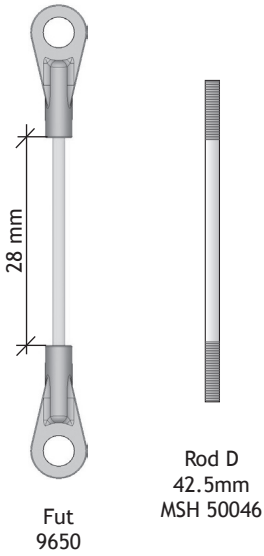


BAG-C

-  Hex Screw M2x10 MSH 50099
-  Ball M2x2.8 MSH 50009
-  Ball M2x2.8 MSH 50175

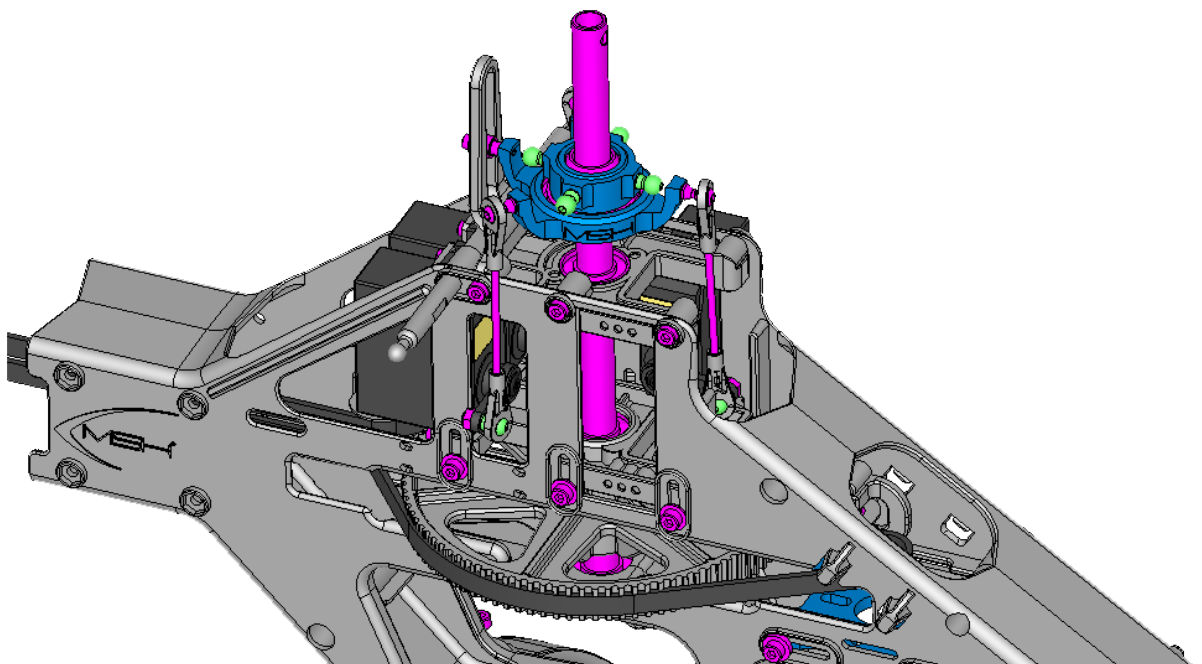
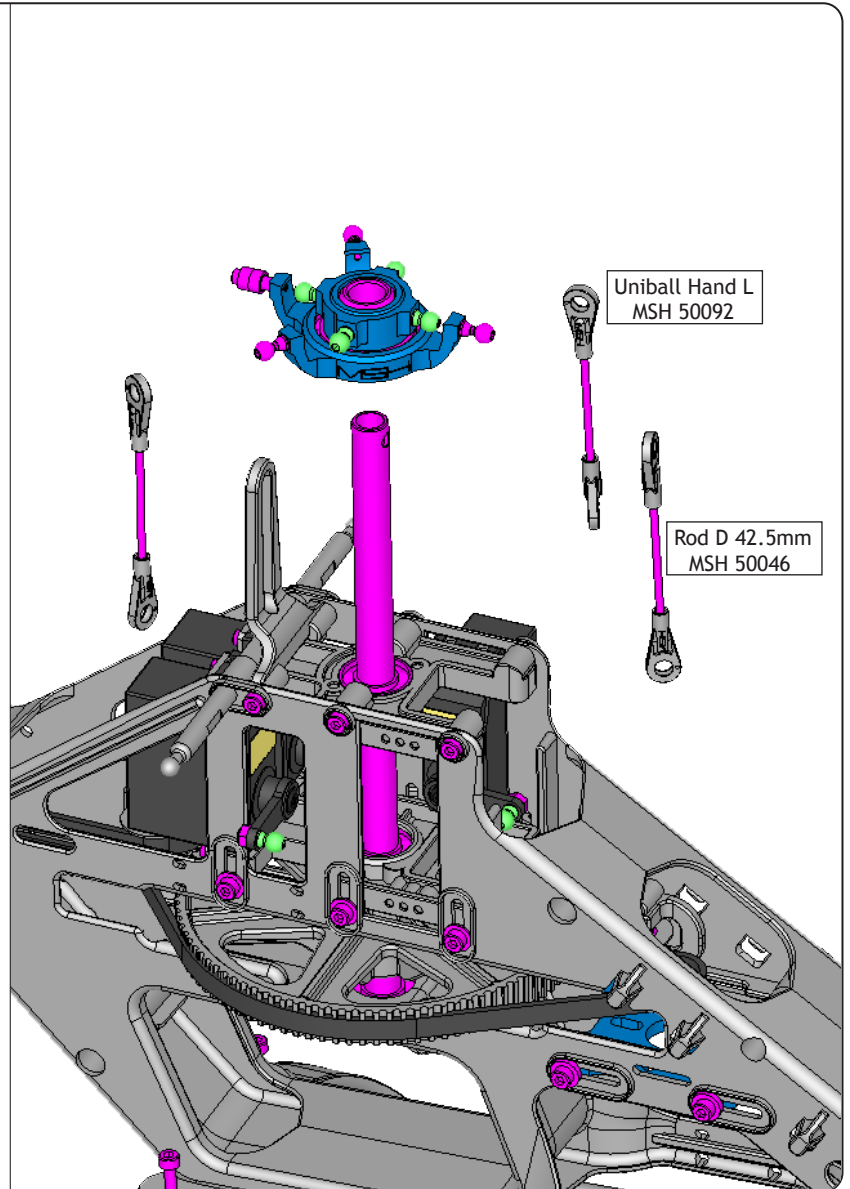


BAG-C



Tips/Instructions

Length of rods connecting servos to swashplate is correct if using 9650 fut servo other servos might need adjustment.



BAG-D



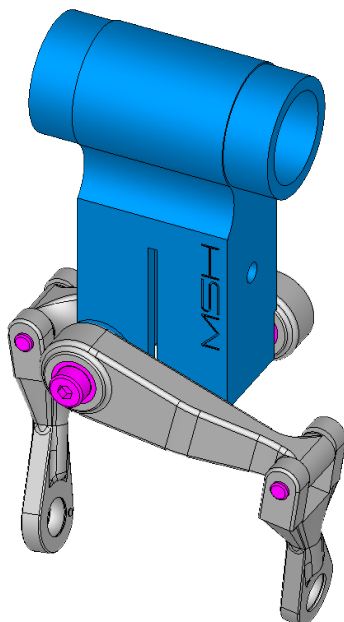
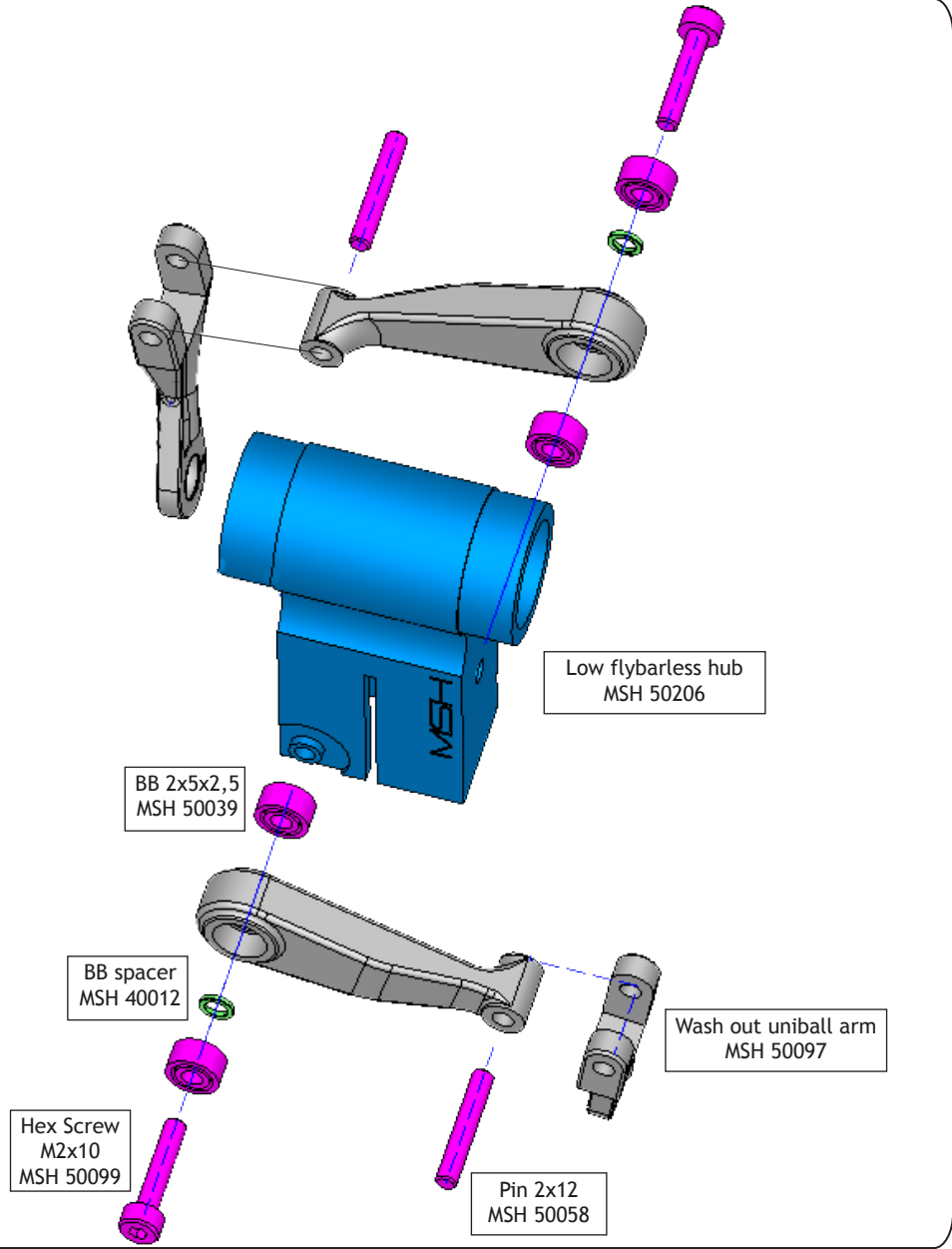
Hex Screw
M2x10
MSH 50099



Washout Pin
2x12
MSH 50058



BB spacer
2.1x3.2x0.5
MSH 40012



BAG-D



Ball Long stand grips
MSH 50176



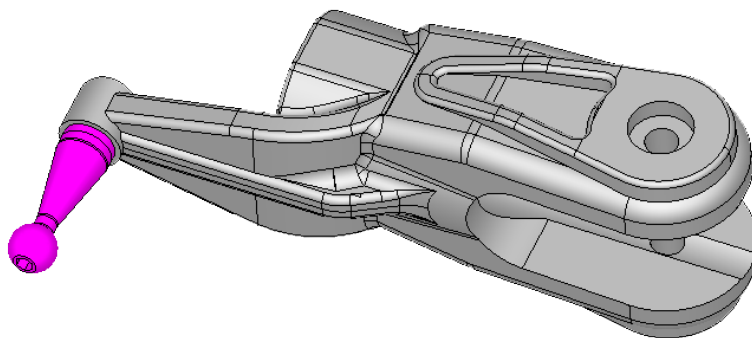
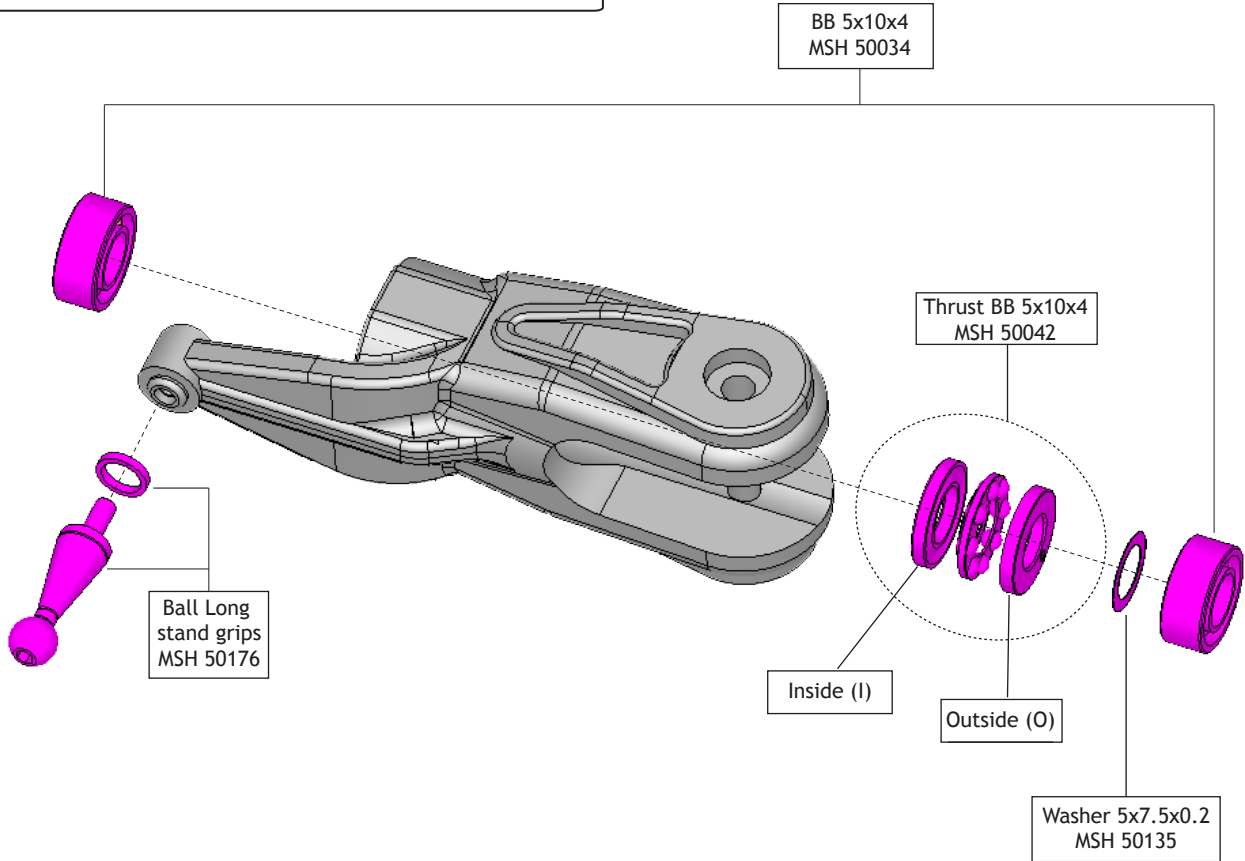
Ball Long stand grips washer
5x3.9x0.8
MSH 50176



Washer
5x7.5x0.2
MSH 50135

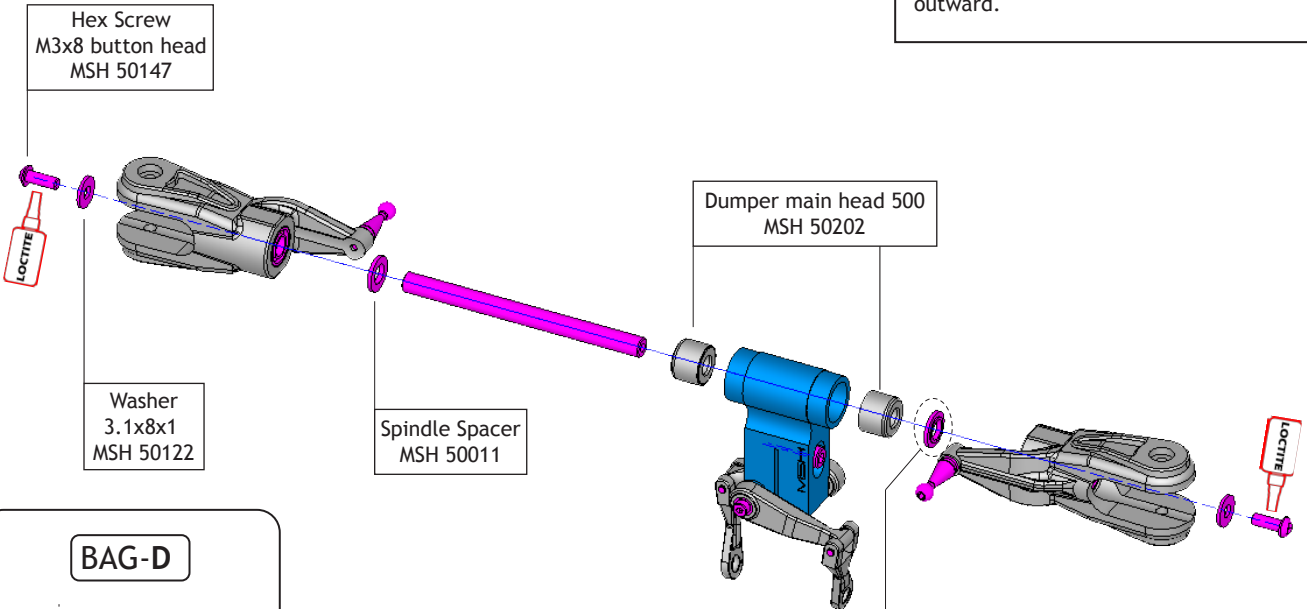
Very Important !!

Do not over tight balls on plastic.
Just 1/8 turn after completely seated.



Tips/Instructions

Use thread lock on screws M3x8.
Thrust bearings flange with bigger hole inward, flange with smaller hole outward.



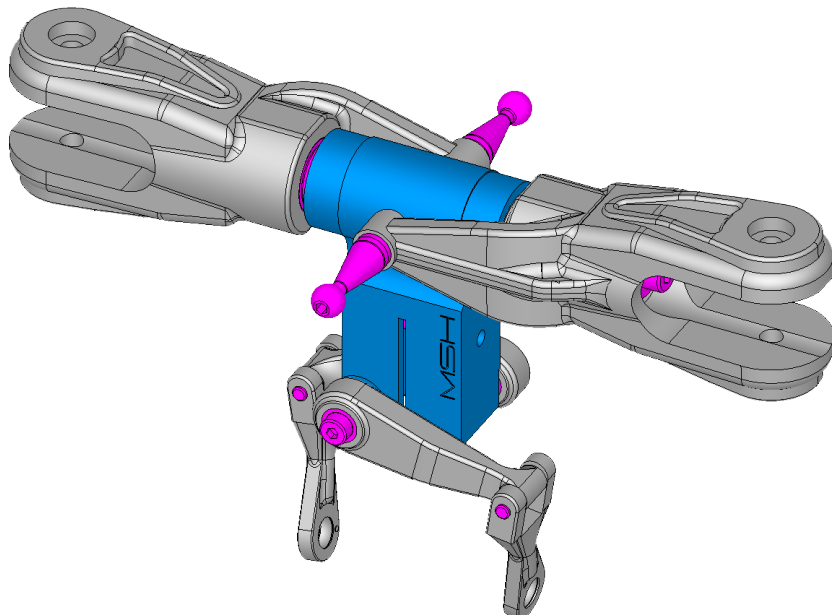
BAG-D

- Hex Screw M3x8 MSH 50110
- Washer 3.1x8x1 MSH 50122
- Spindle Spacer MSH 50011

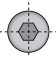
CAUTION

Spindle spacer is a stepped washer, please make sure that, the stepped side faces BB 5x10x4.


HUB SIDE ← → BLADE SIDE



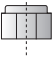
BAG-D



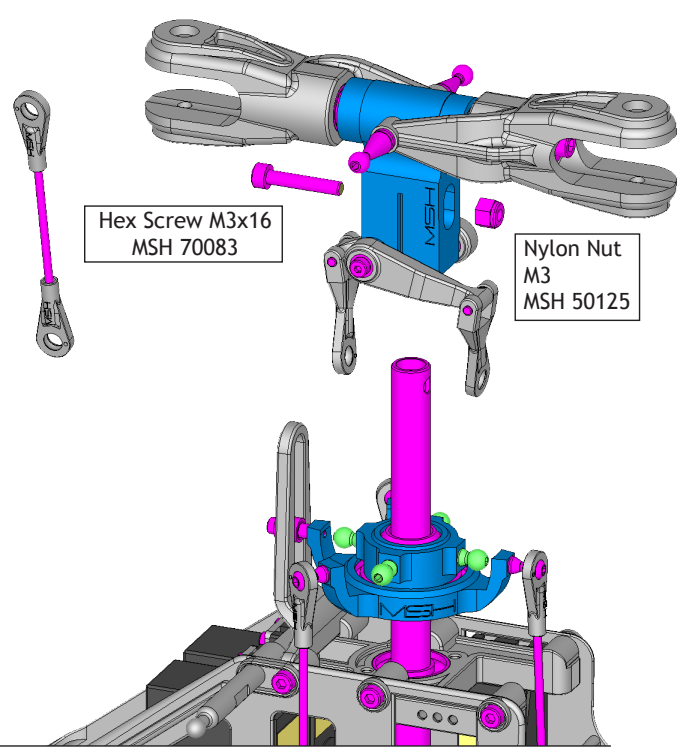
Hex Screw
M3x16
MSH 70083



Rod D
42,5 mm
MSH 50046

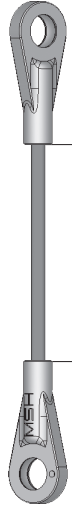


Nylon Nut
M3
MSH 50125



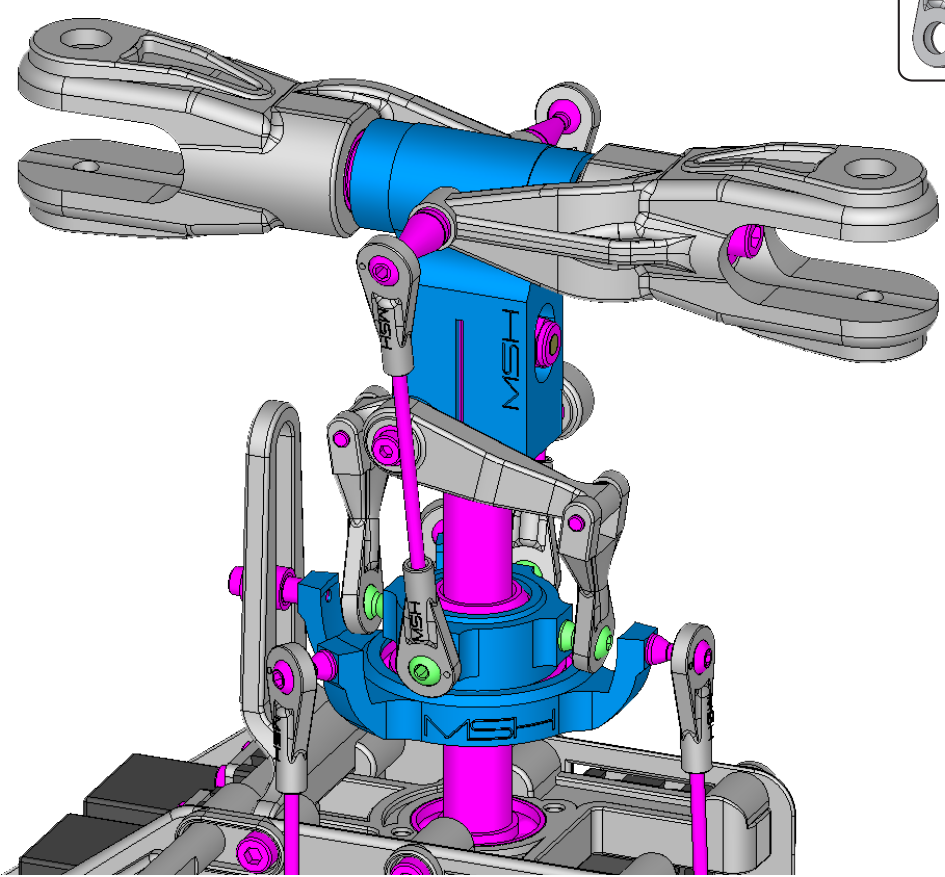
Hex Screw M3x16
MSH 70083

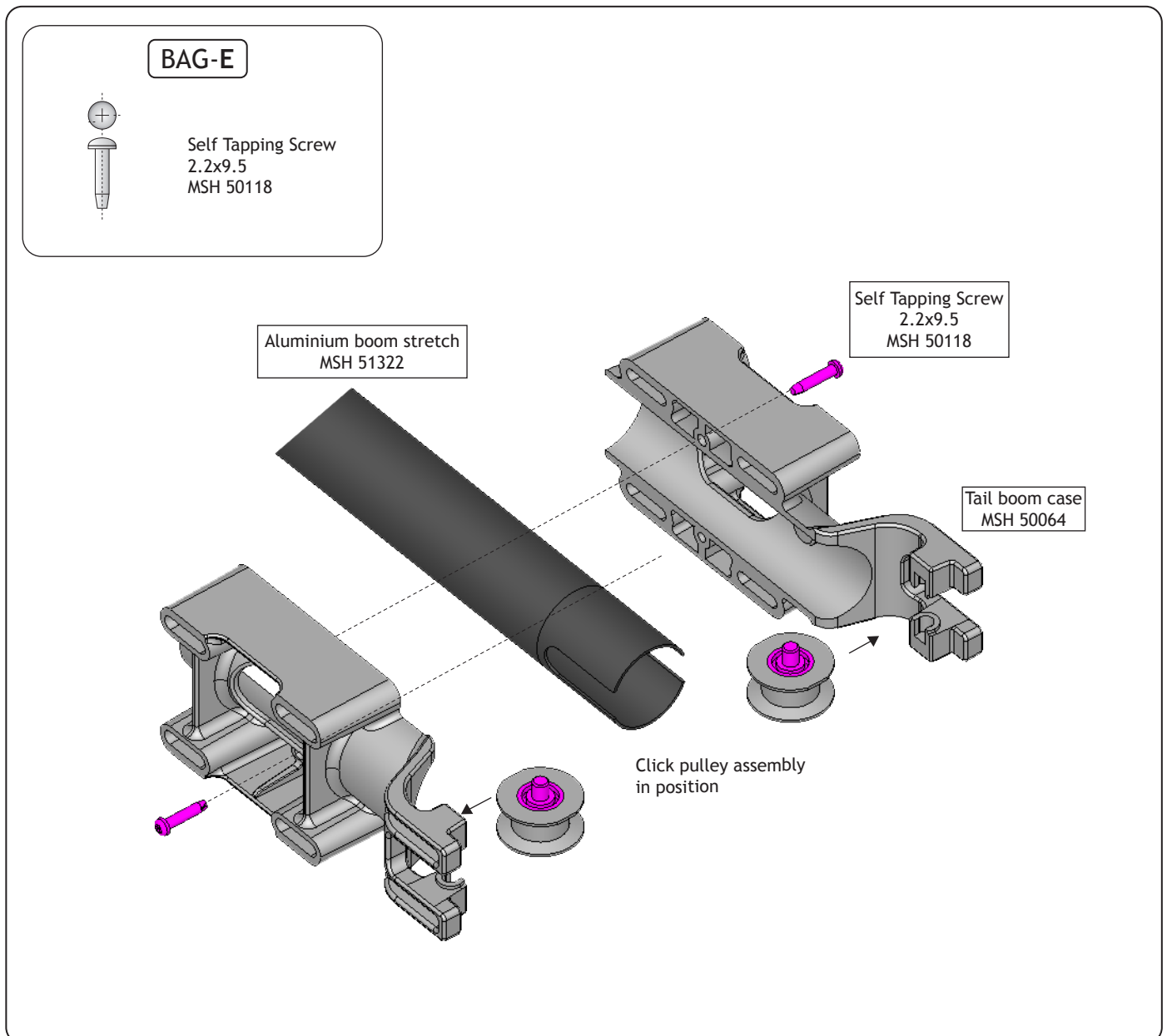
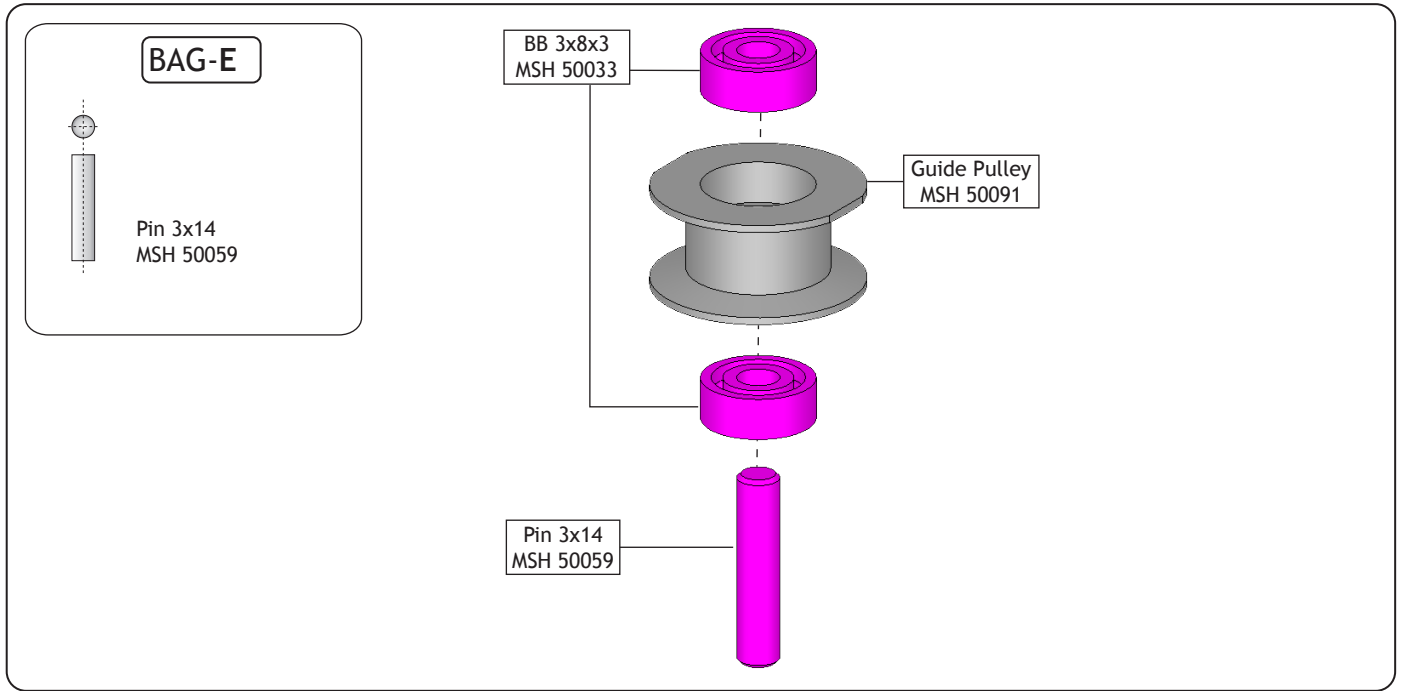
Nylon Nut
M3
MSH 50125



Uniball Hands
MSH 50032

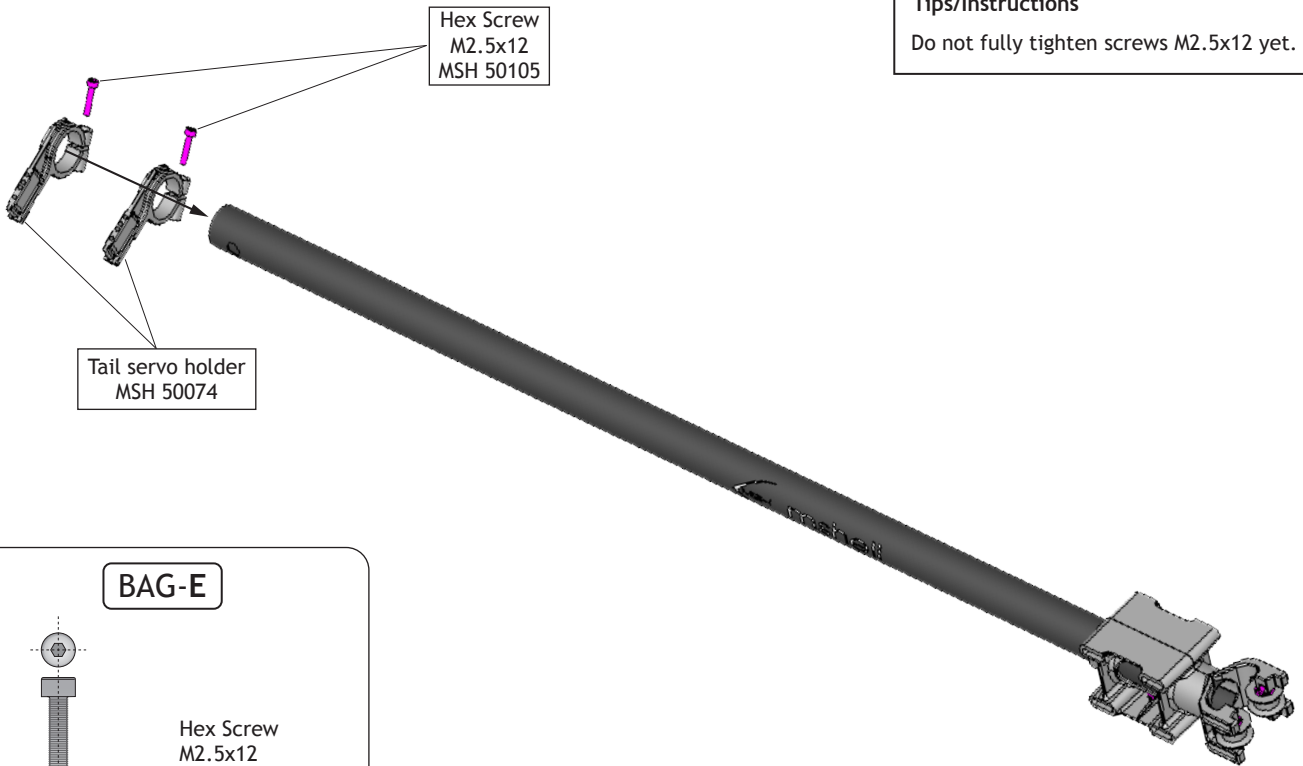
27.1mm



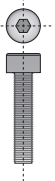


Tips/Instructions

Do not fully tighten screws M2.5x12 yet.



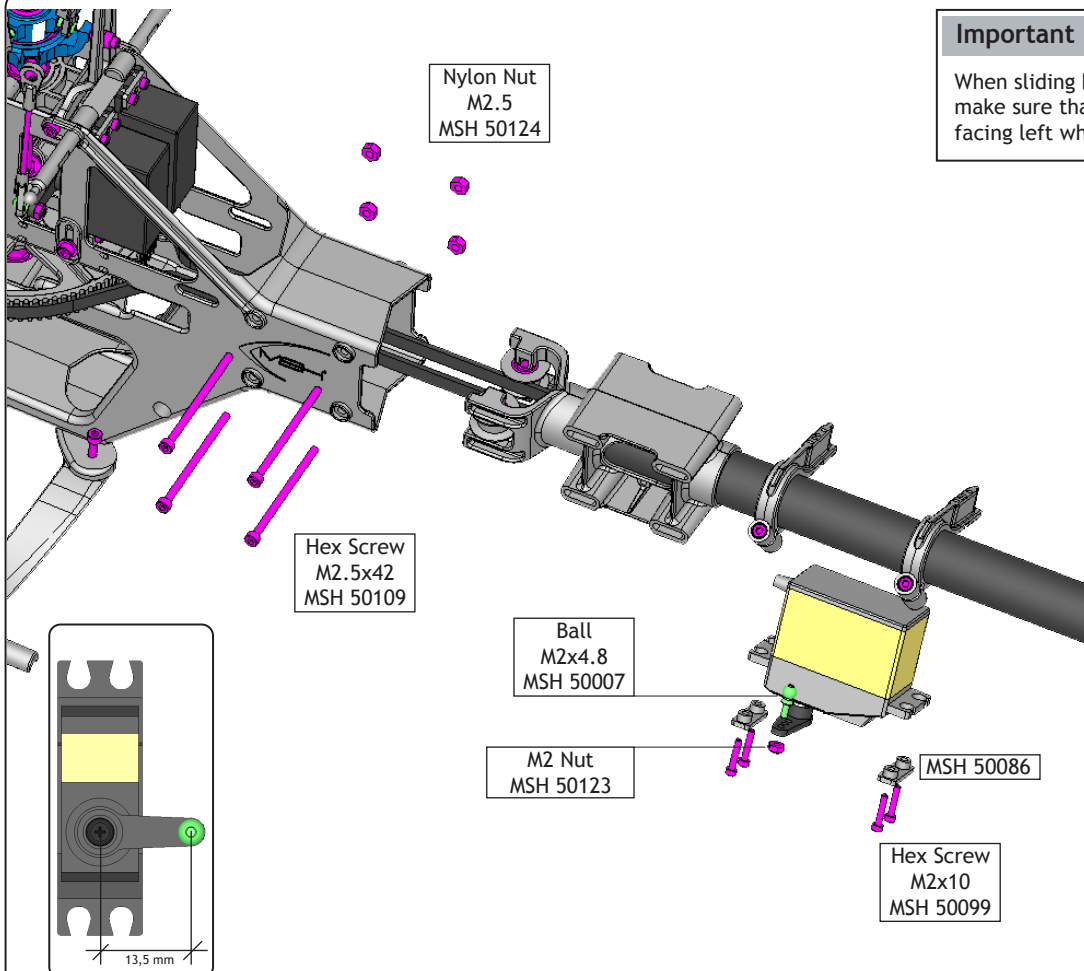
BAG-E



Hex Screw
M2.5x12
MSH 50105

Important !!

When sliding boom assembly in position make sure that the hole on the rear is facing left when looking from behind.



BAG-E



Hex Screw M2x10
MSH 50099



Hex Screw M2.5x42
MSH 50109



Nylon Nut
M2.5
MSH 50124

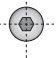
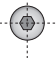
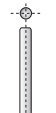
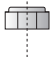



Ball M2x4.8
MSH 50007



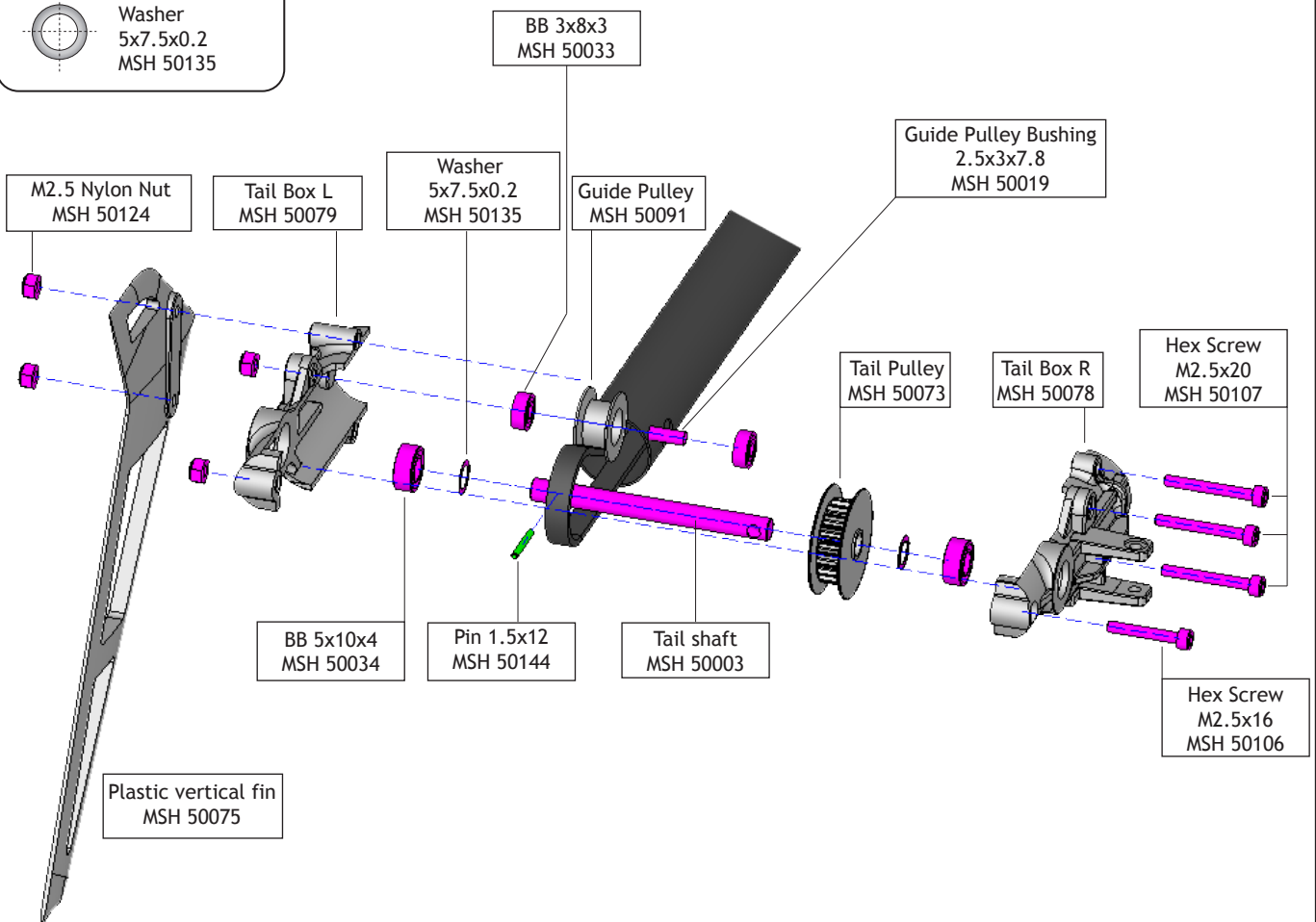
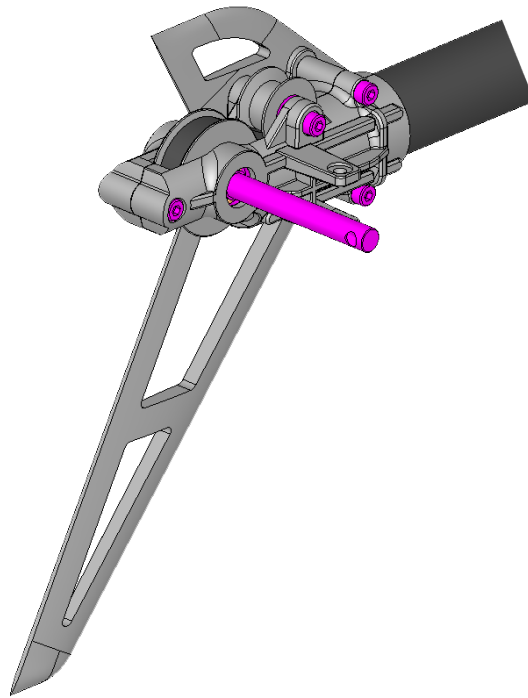
M2 Nut
MSH 50123

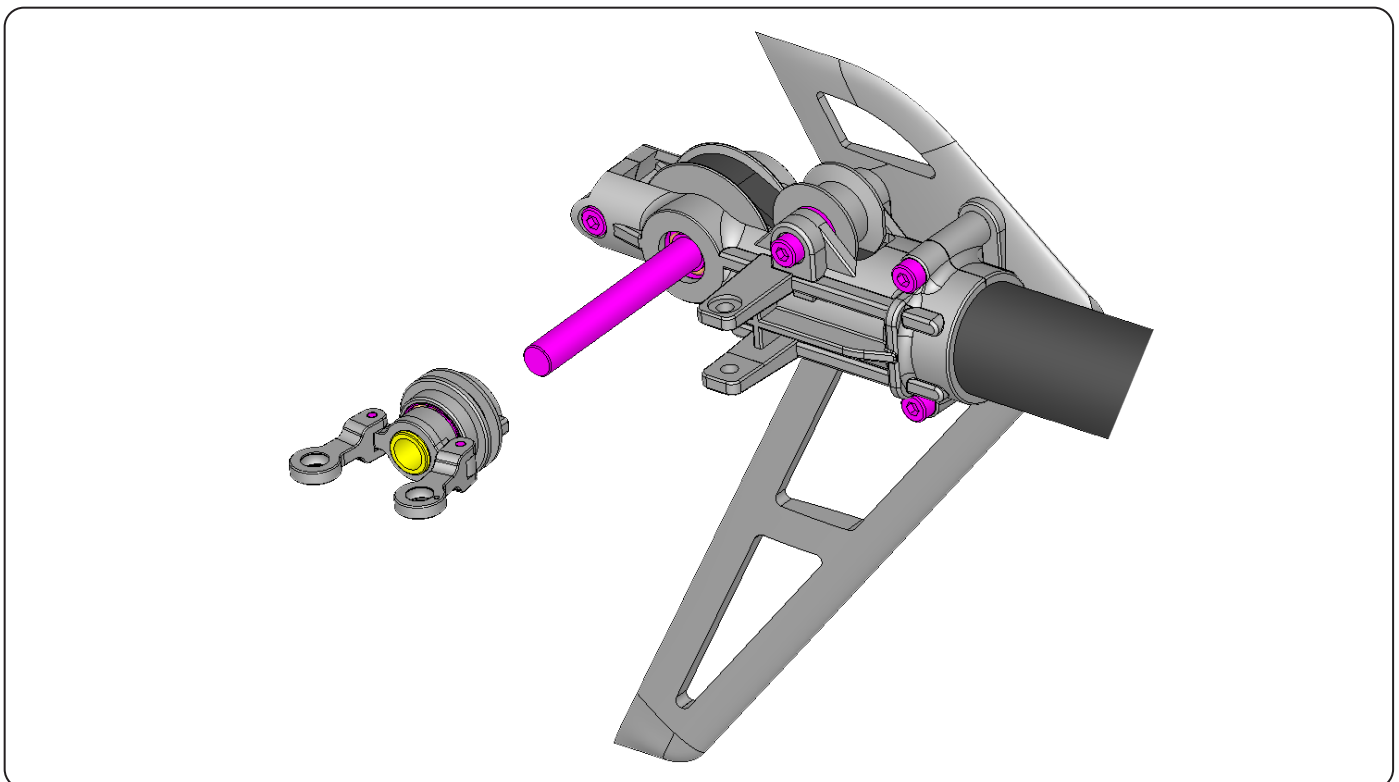
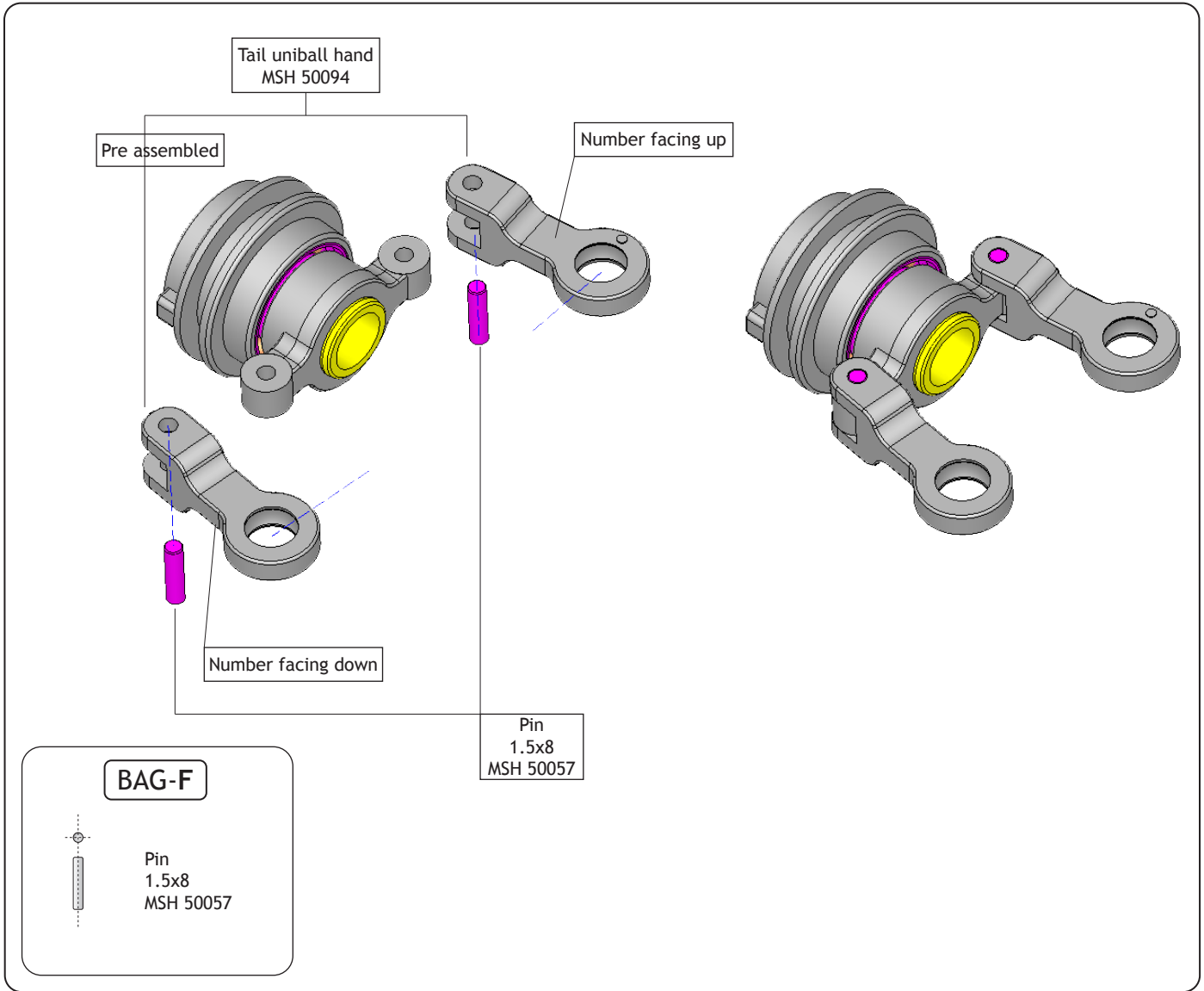
BAG-F

-  Hex Screw
M2.5x20
MSH 50107
-  Hex Screw
M2.5x16
MSH 50106
-  Pin
1.5x12
MSH 50144
-  Nylon Nut
M2.5
MSH 50124
-  Washer
5x7.5x0.2
MSH 50135

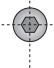

Tips/Instructions

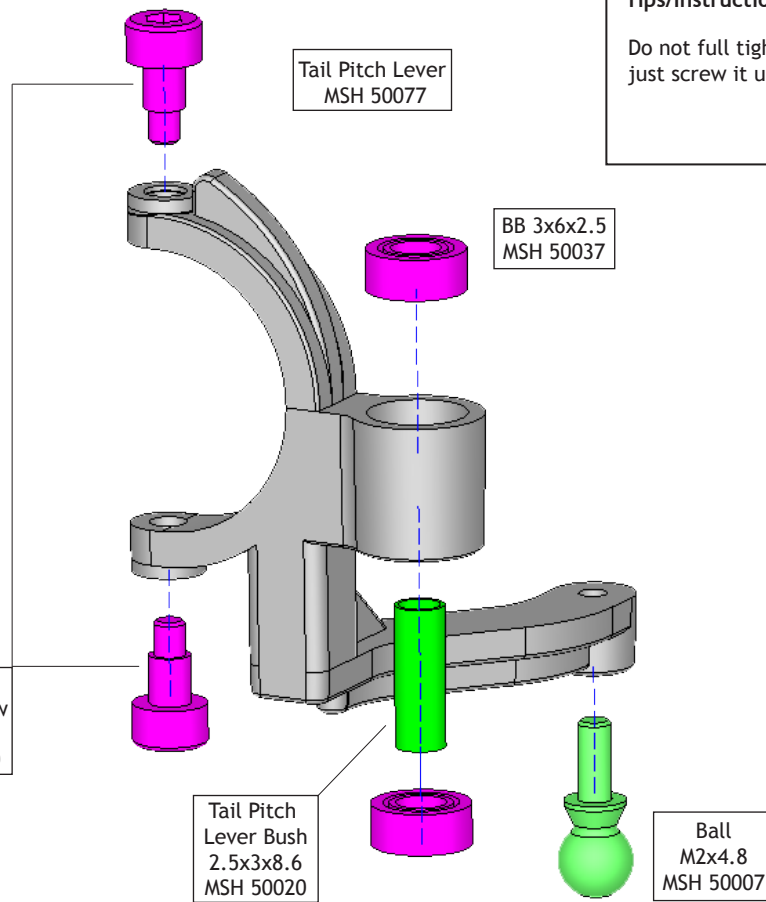
Do not over tight guide pulley screw, check that it turns freely after tightening the screw.





BAG-F

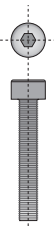
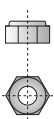
-  Tail Pitch Lever Screw
M2.5x5
MSH 50100
-  Ball M2x4.8
MSH 50007

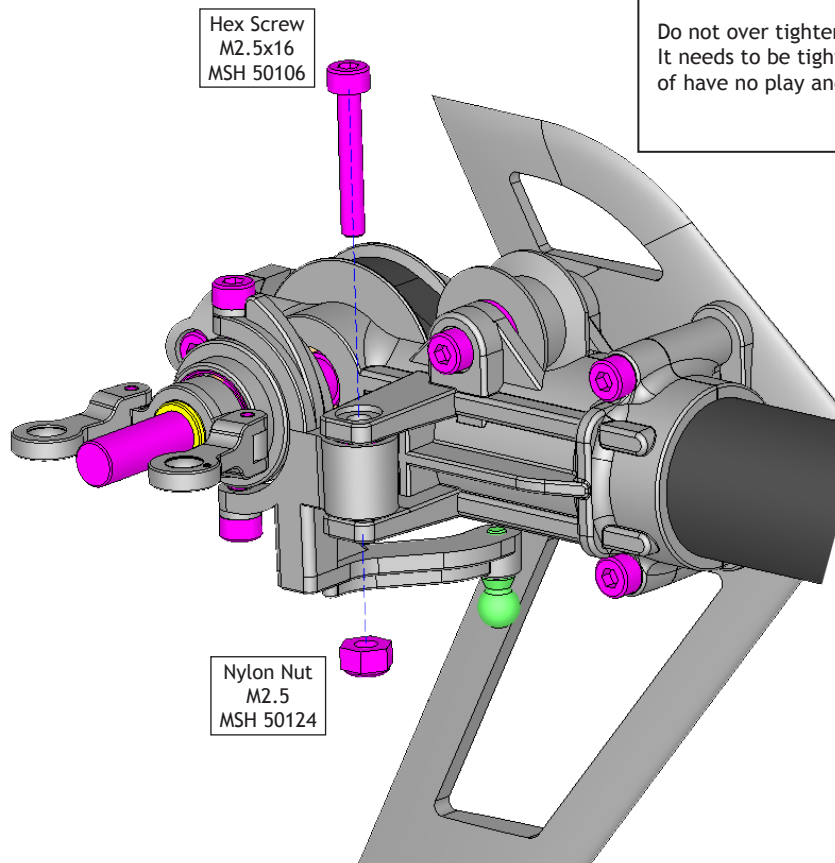


Tips/Instructions

Do not full tighten tail pitch lever screw, just screw it until fully seated.

BAG-F

-  Hex Screw
M2.5x16
MSH 50106
-  Nylon Nut
M2.5
MSH 50124



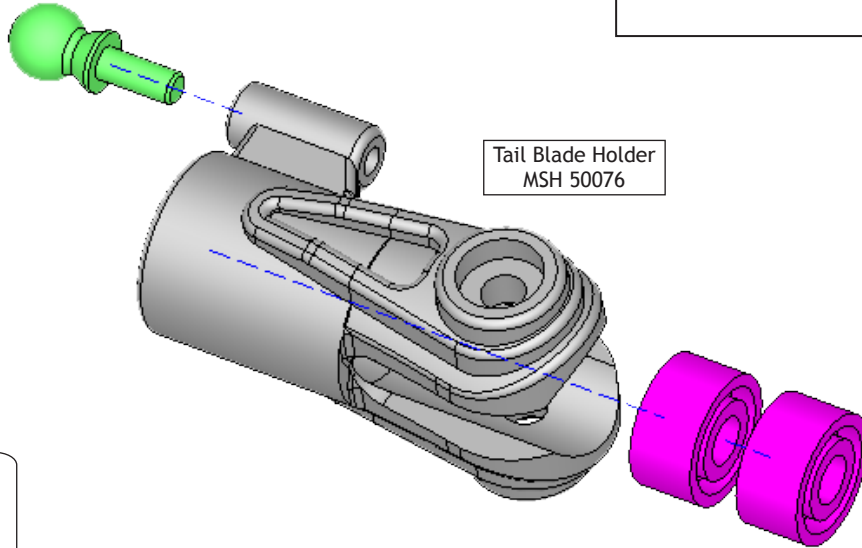
Tips/Instructions

Do not over tighten M2.5x16 screw. It needs to be tightened to the point of have no play and run freely.

Tips/Instructions

Make sure BB 3x8x4 is completely seated in tail blade holder.

Ball
M2x4.8
MSH 50007



Tail Blade Holder
MSH 50076

BB 3x8x4
MSH 50035

BAG-F

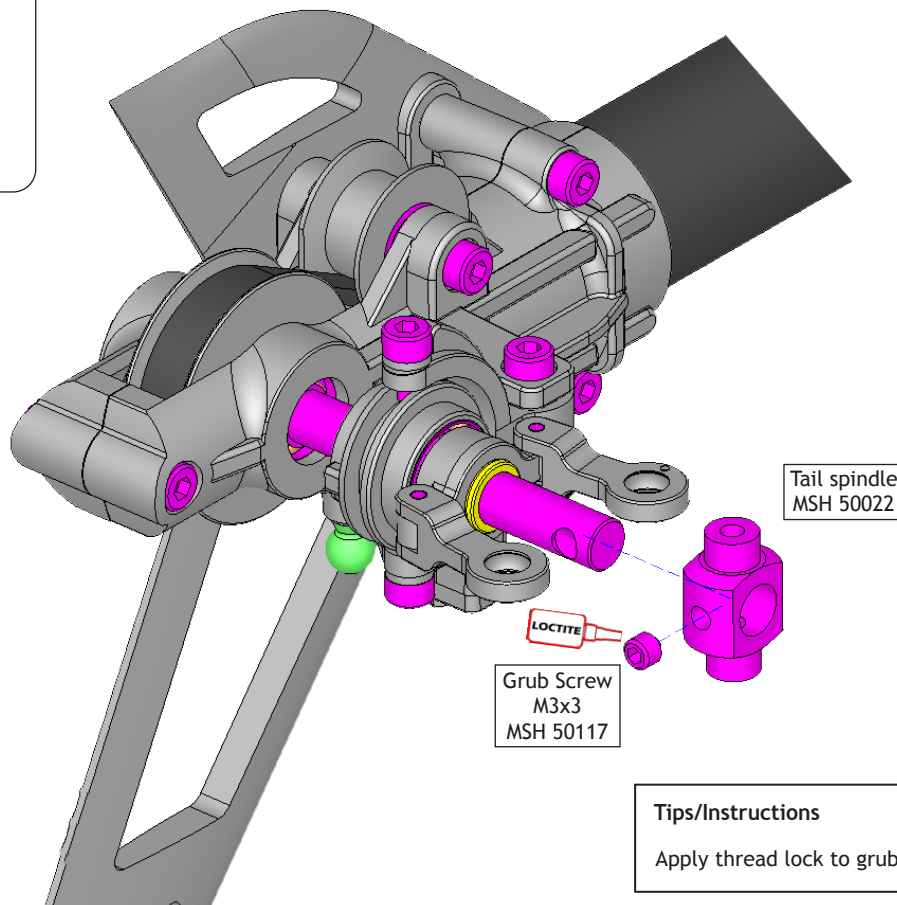


Ball M2x4.8
MSH 50007

BAG-F



Grub Screw
M3x3
MSH 50117



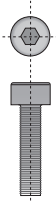
Tail spindle
MSH 50022

Grub Screw
M3x3
MSH 50117

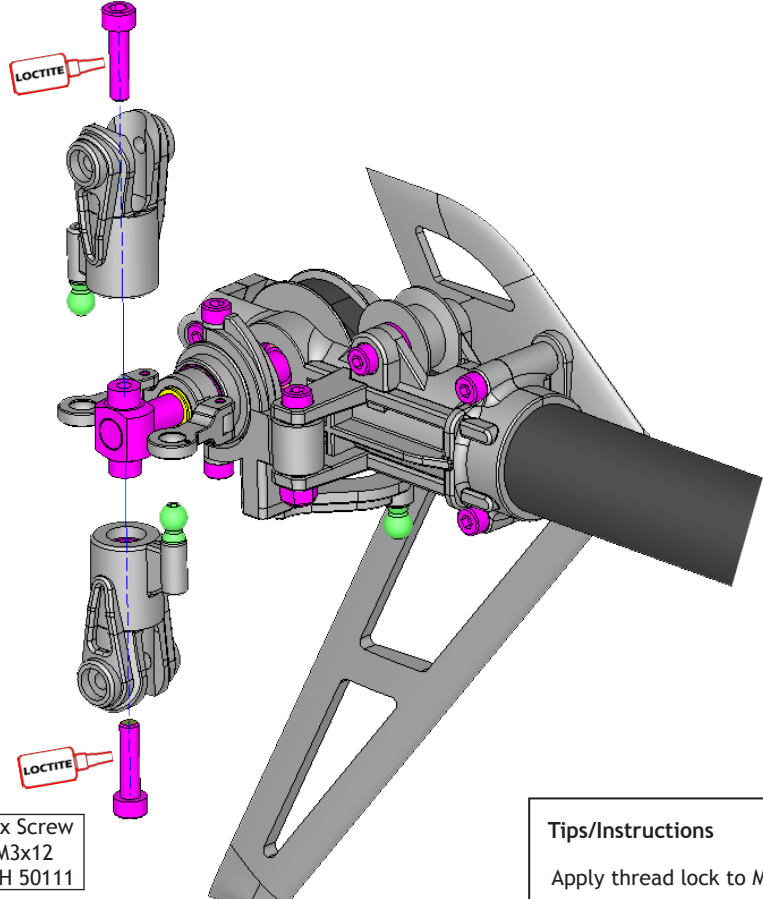
Tips/Instructions

Apply thread lock to grub screw M3x3.

BAG-F



Hex Screw
M3x12
MSH 50111

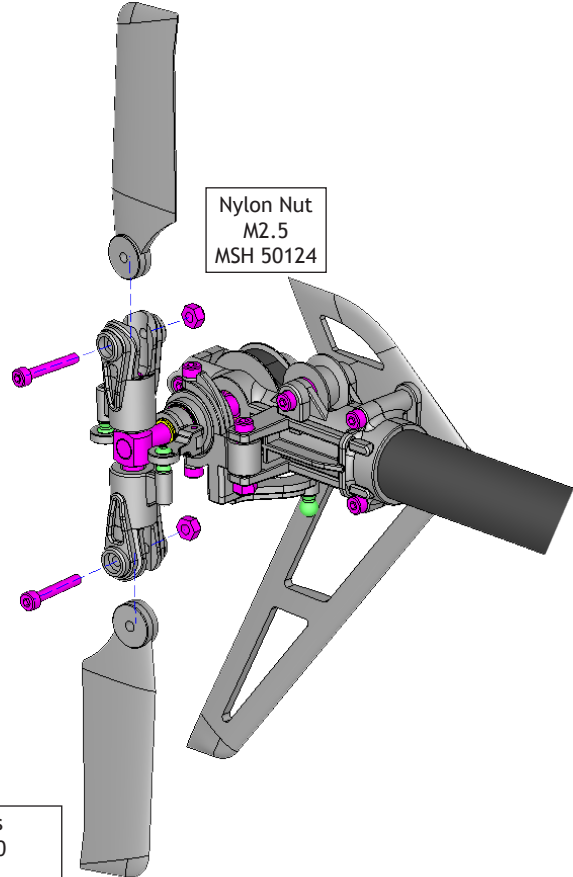


Hex Screw
M3x12
MSH 50111

Tips/Instructions

Apply thread lock to M3x12 screws.

Caution :
Do not over tighten
M2.5x16 tail blade screws.

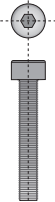


Hex Screw
M2.5x16
MSH 50106

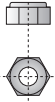
Nylon Nut
M2.5
MSH 50124

Tail Blades
MSH 50050
(Bag L)

BAG-F



Hex Screw
M2.5x16
MSH 50106

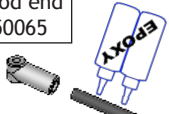


Nylon Nut
M2.5
MSH 50124

BAG-G

Tips/Instructions
 Glue part MSH 50065 with slow curing epoxy.

Brace rod end
MSH 50065

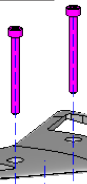


Tail Boom braces stretch 402 mm
MSH 50193
(bag L)

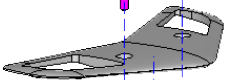
x 2



Hex Screw
M2.5x25
MSH 50108



Horizontal fin
MSH 50068



Horizontal fin clamp U
MSH 50069



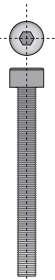
M2.5
Nylon Nut
MSH 50124



Horizontal fin clamp L
MSH 50067



BAG-G



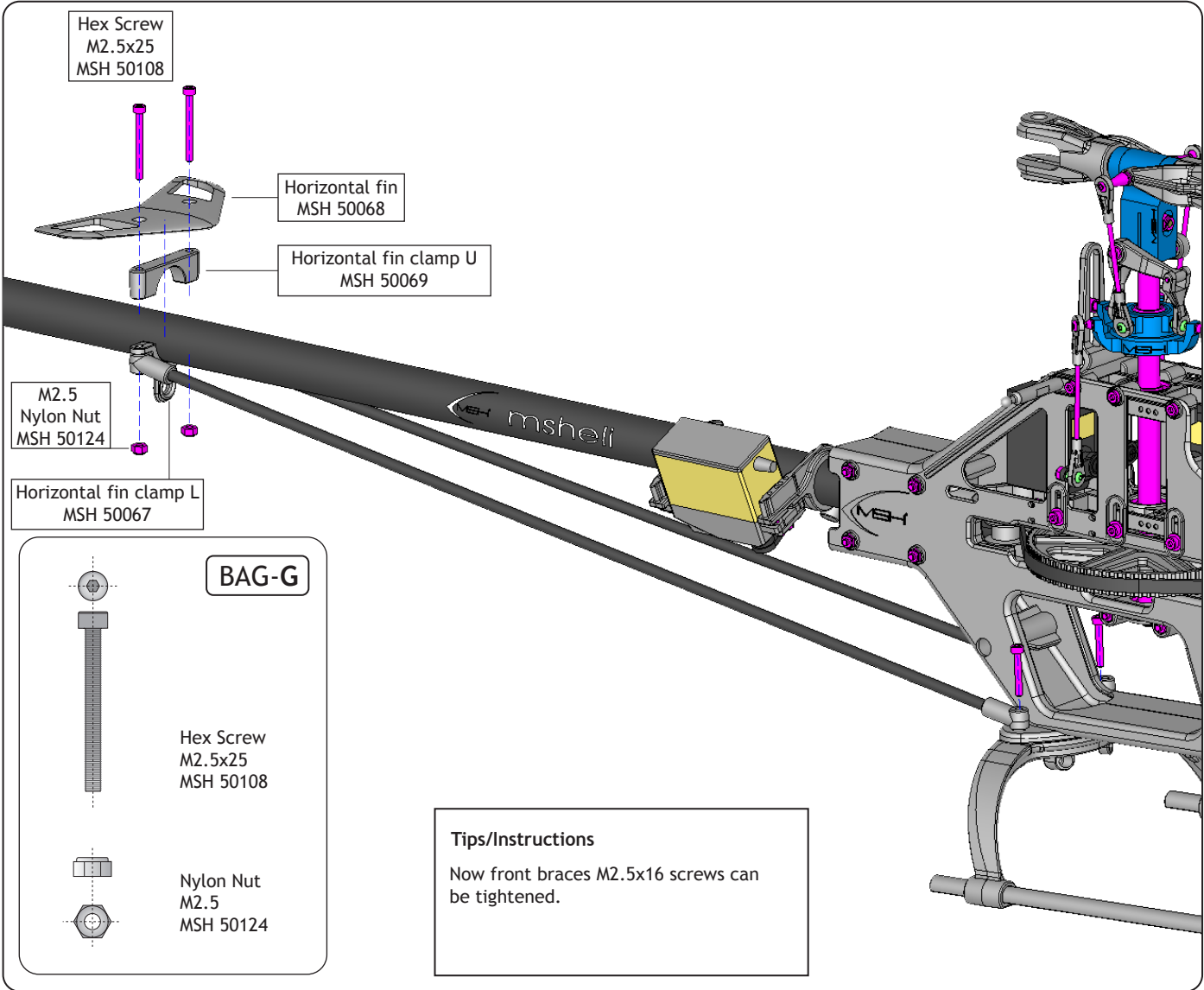
Hex Screw
M2.5x25
MSH 50108

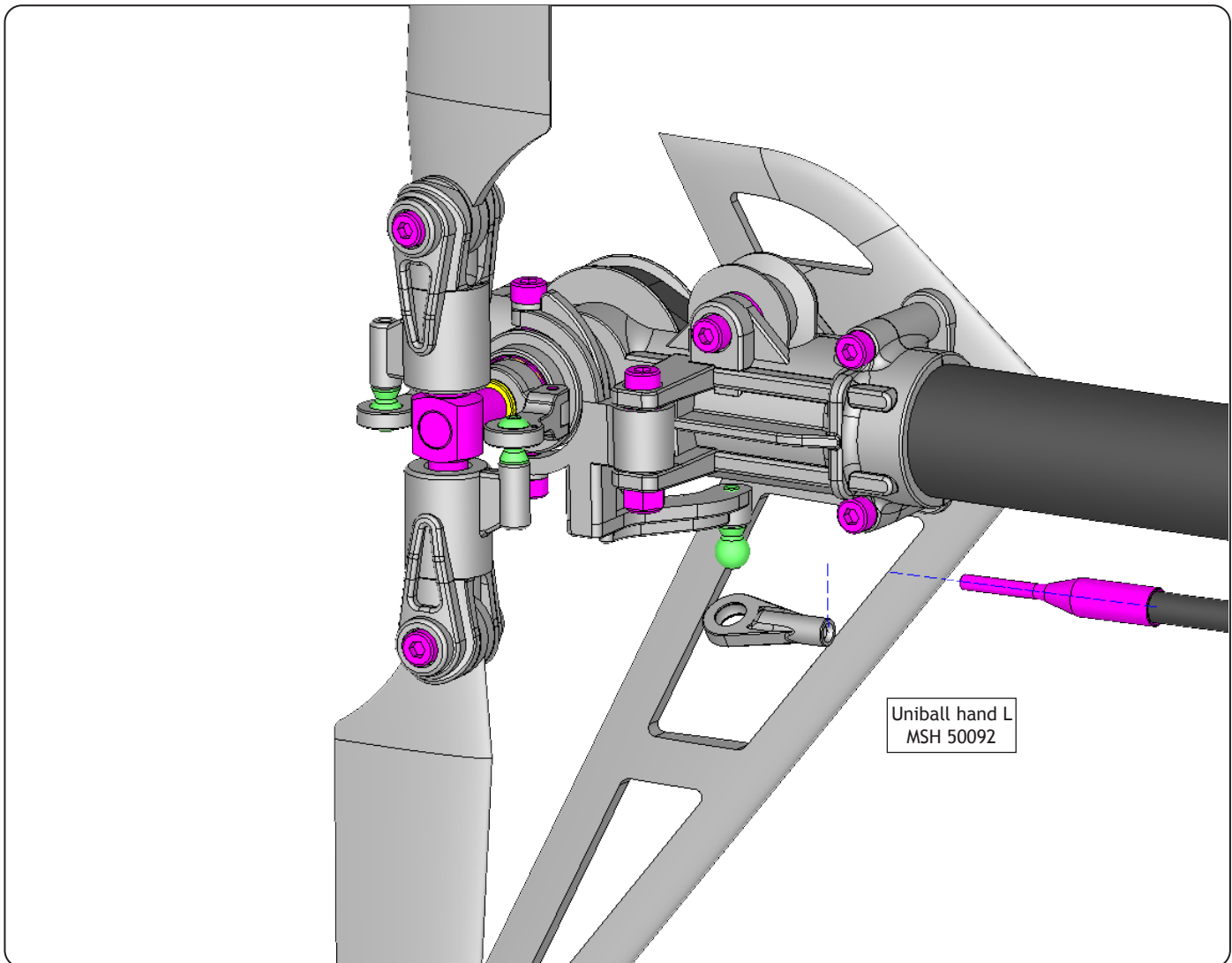
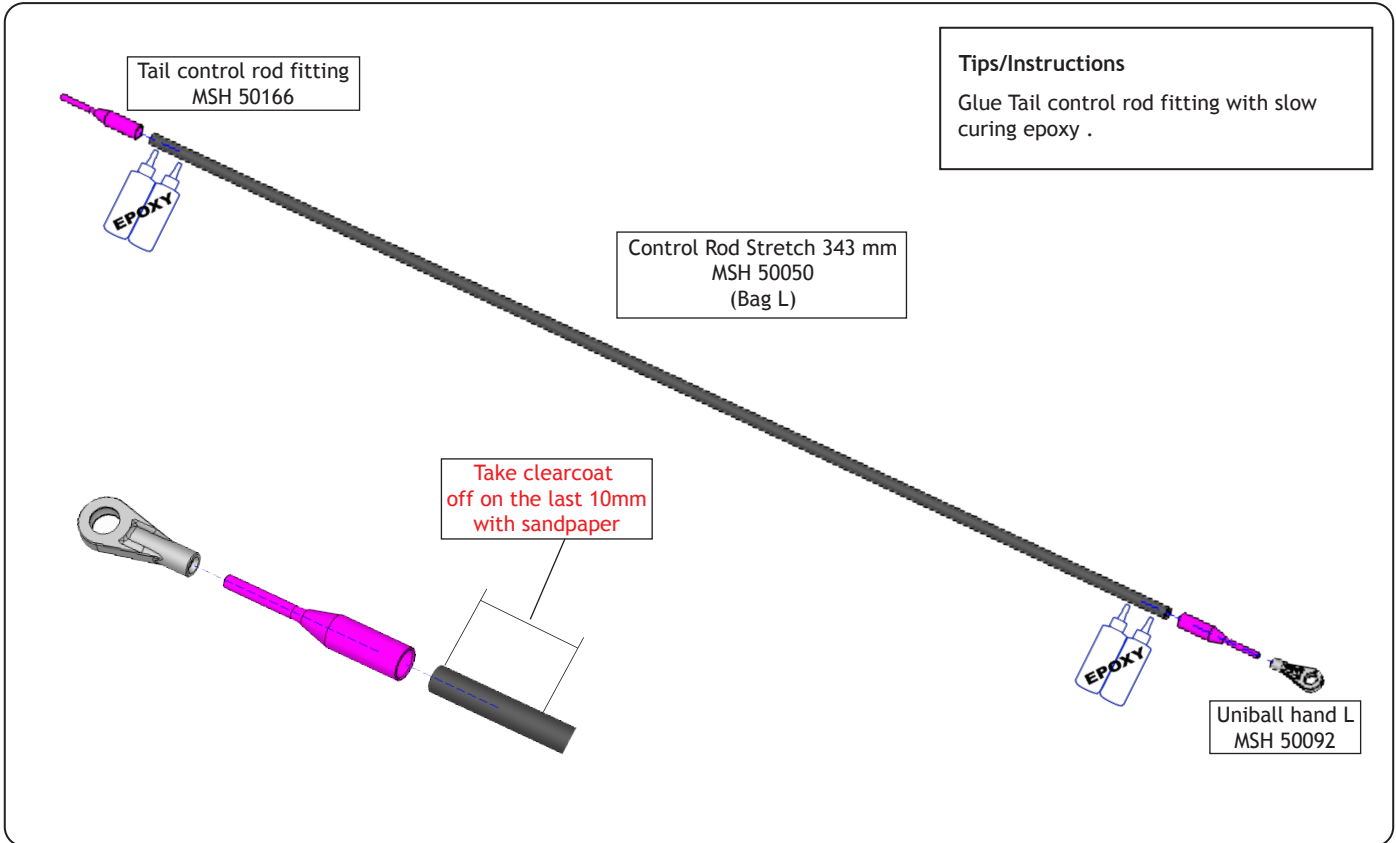


Nylon Nut
M2.5
MSH 50124



Tips/Instructions
 Now front braces M2.5x16 screws can be tightened.



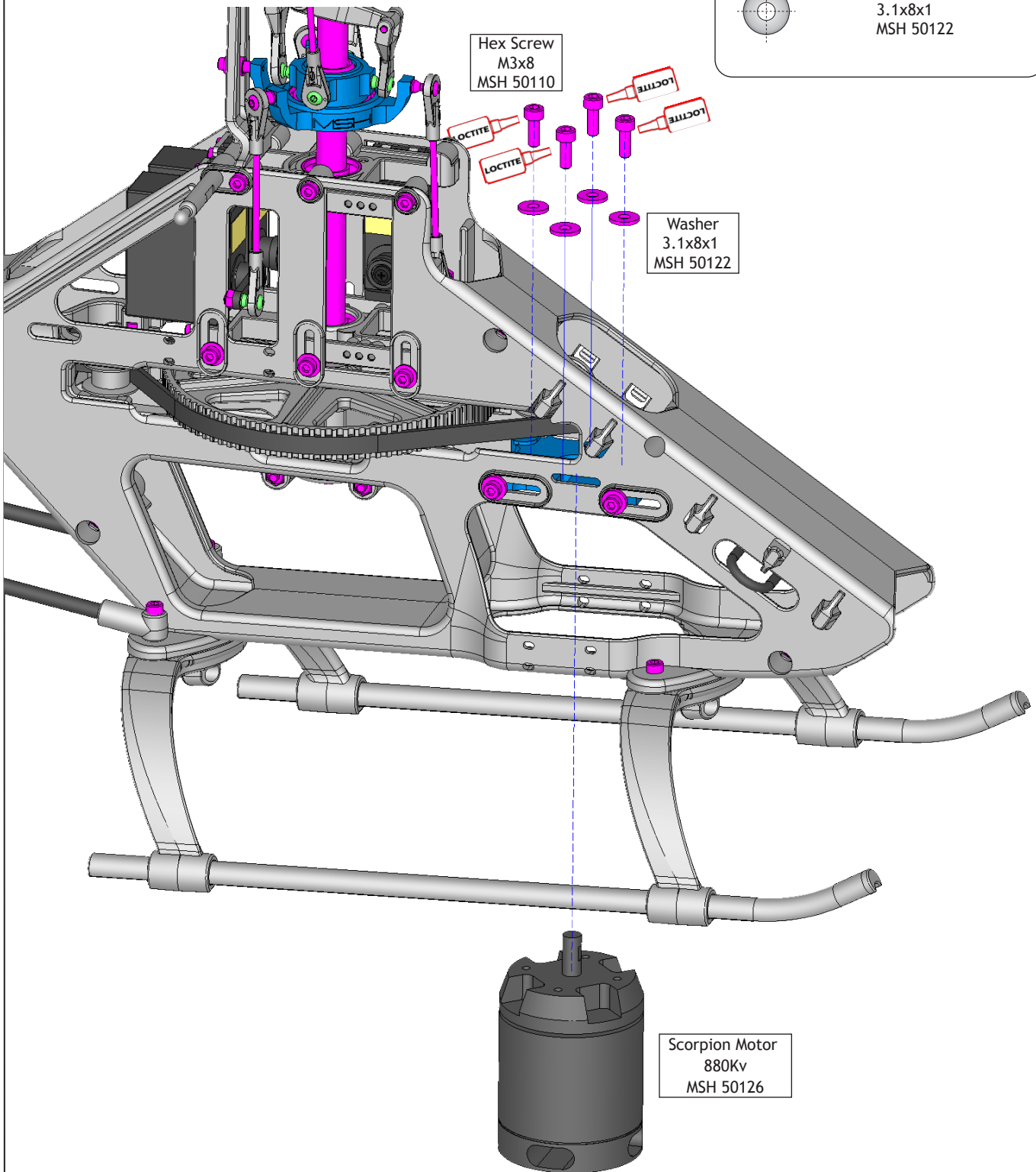



Tips/Instructions

Apply thread lock to M3x8 hex screw.

Hex Screw
M3x8
MSH 50110

Washer
3.1x8x1
MSH 50122

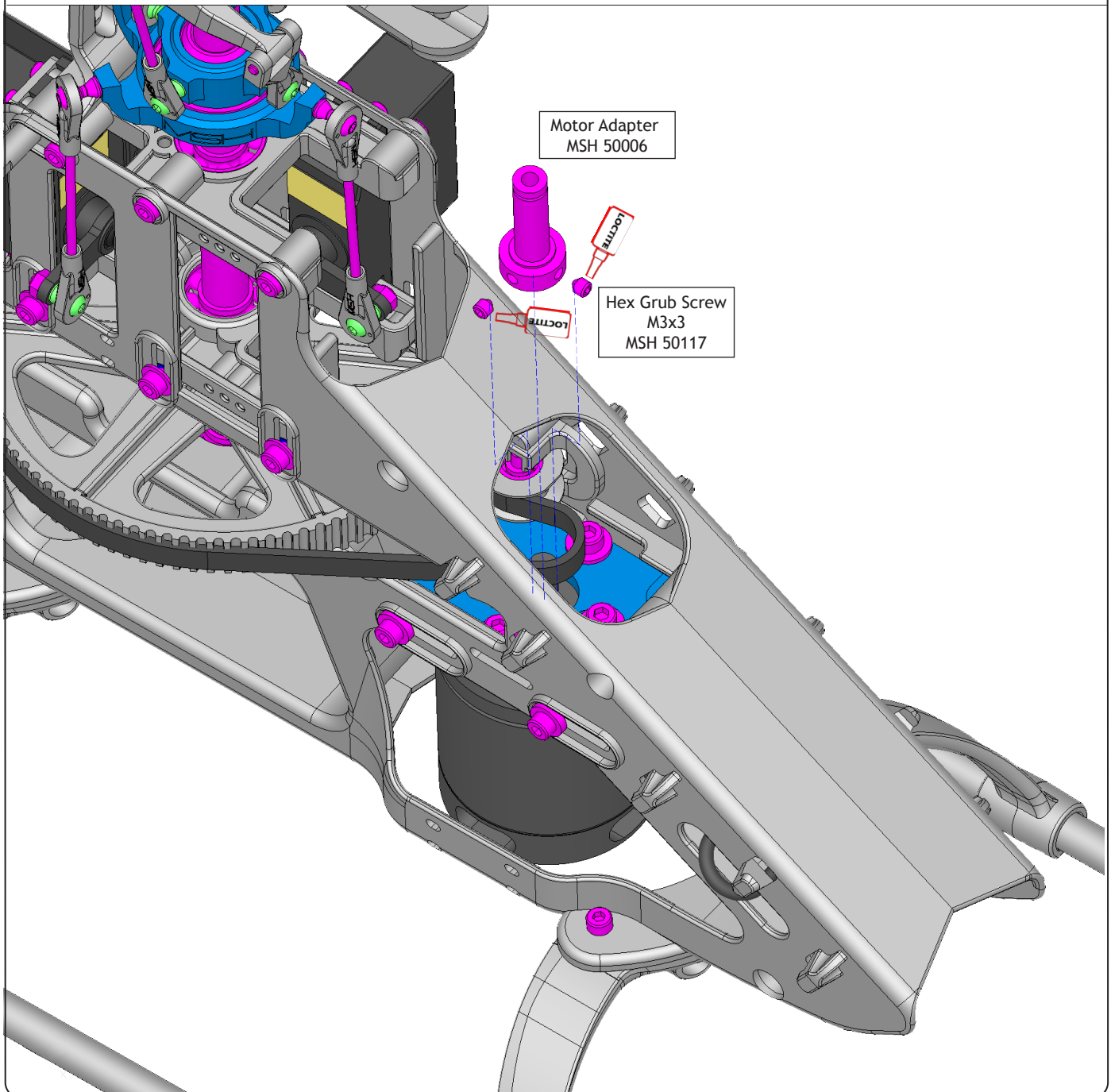




Grub Screw
M3x3
MSH 50117

Tips/Instructions
Apply thread lock to M3x5 grub screw.

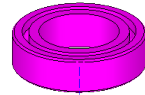
Tips/Instructions
Make sure that one of the two adapter grub screws lays on motor shaft flat spot.



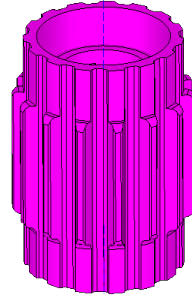


Washer
3.1x10x1
MSH 50121

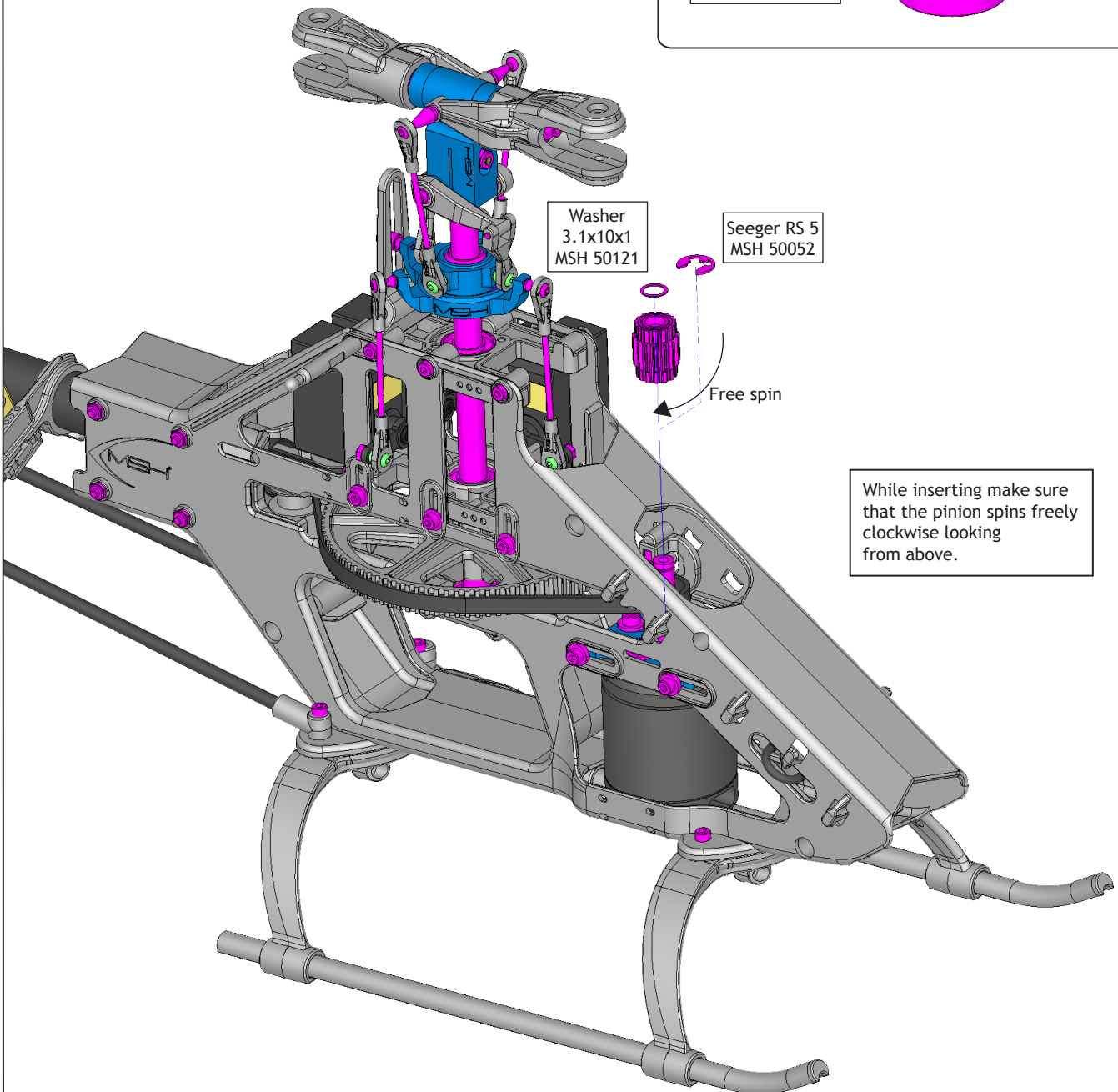
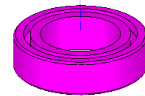
BB 6x10x2.5
MSH 50031



Motor Pulley 15T
MSH 50017

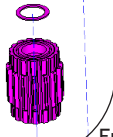


BB 6x10x2.5
MSH 50031



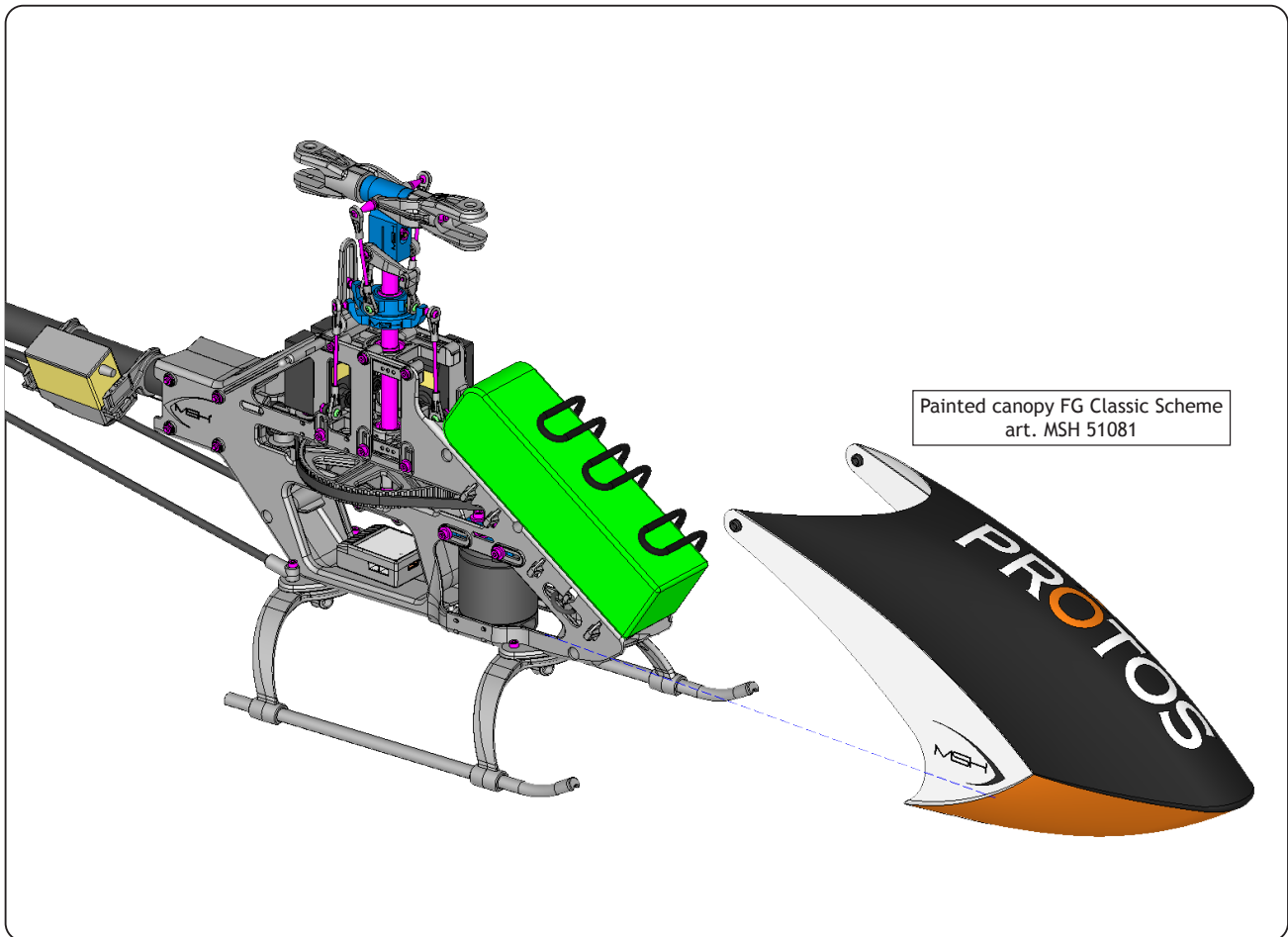
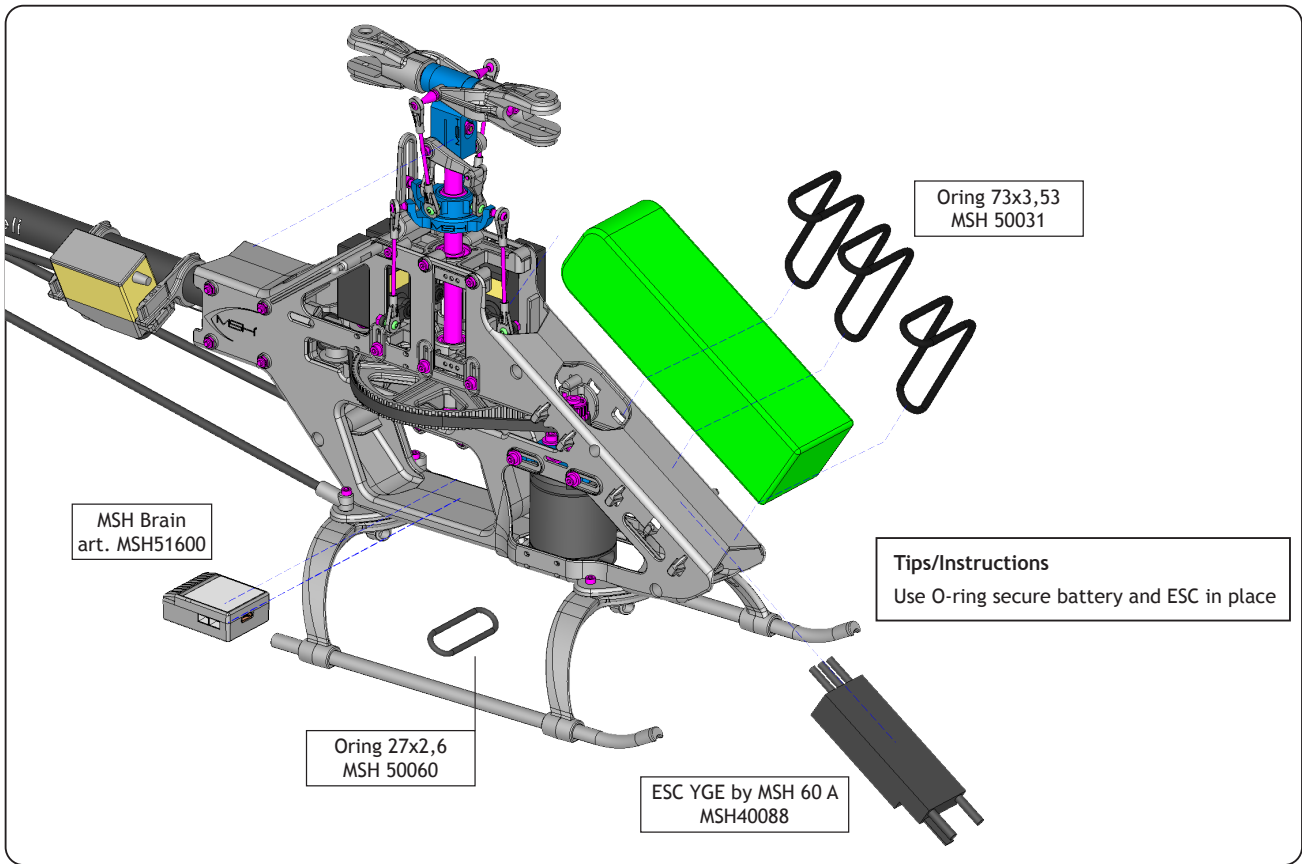
Washer
3.1x10x1
MSH 50121

Seeger RS 5
MSH 50052



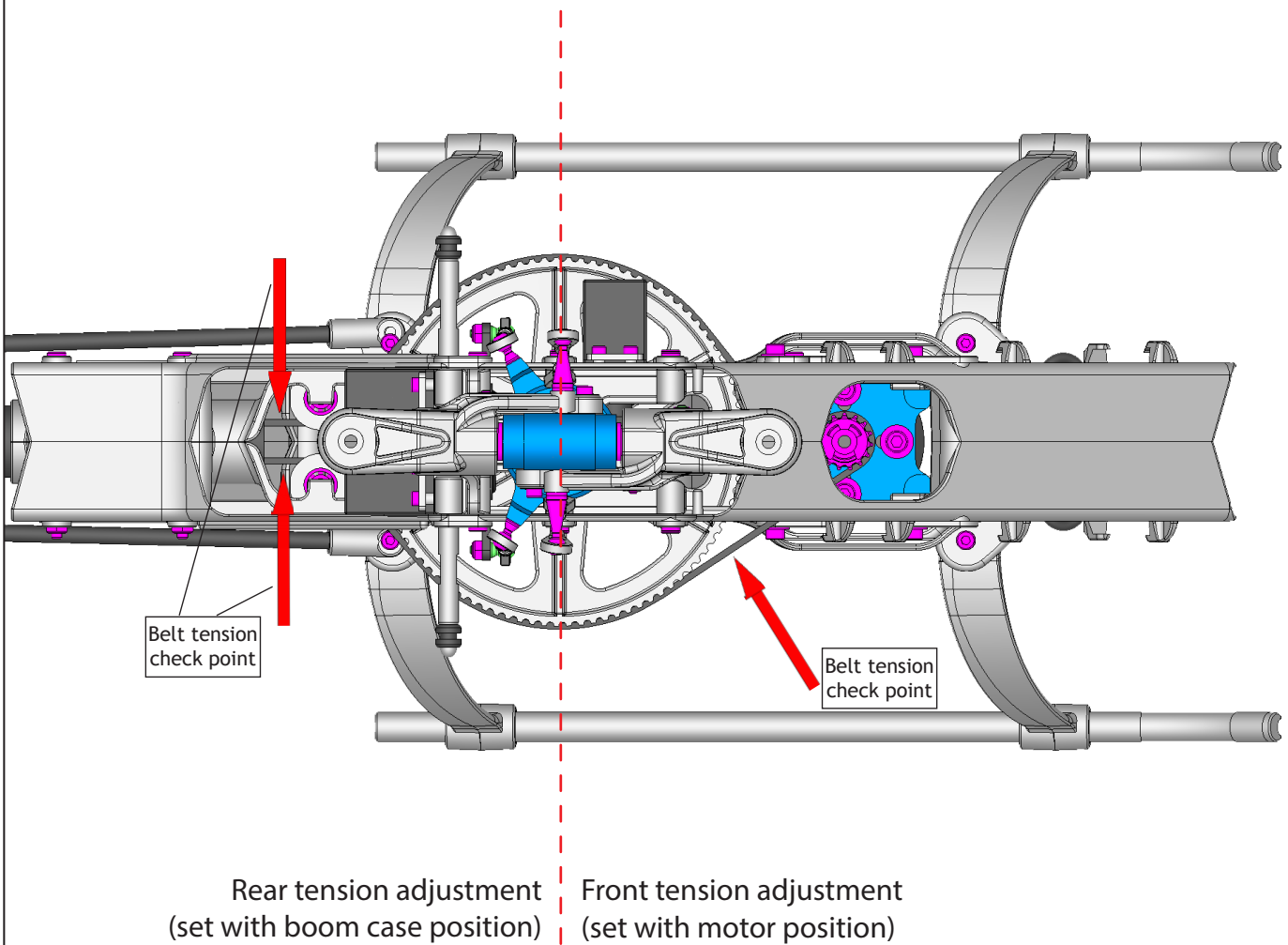
Free spin

While inserting make sure that the pinion spins freely clockwise looking from above.

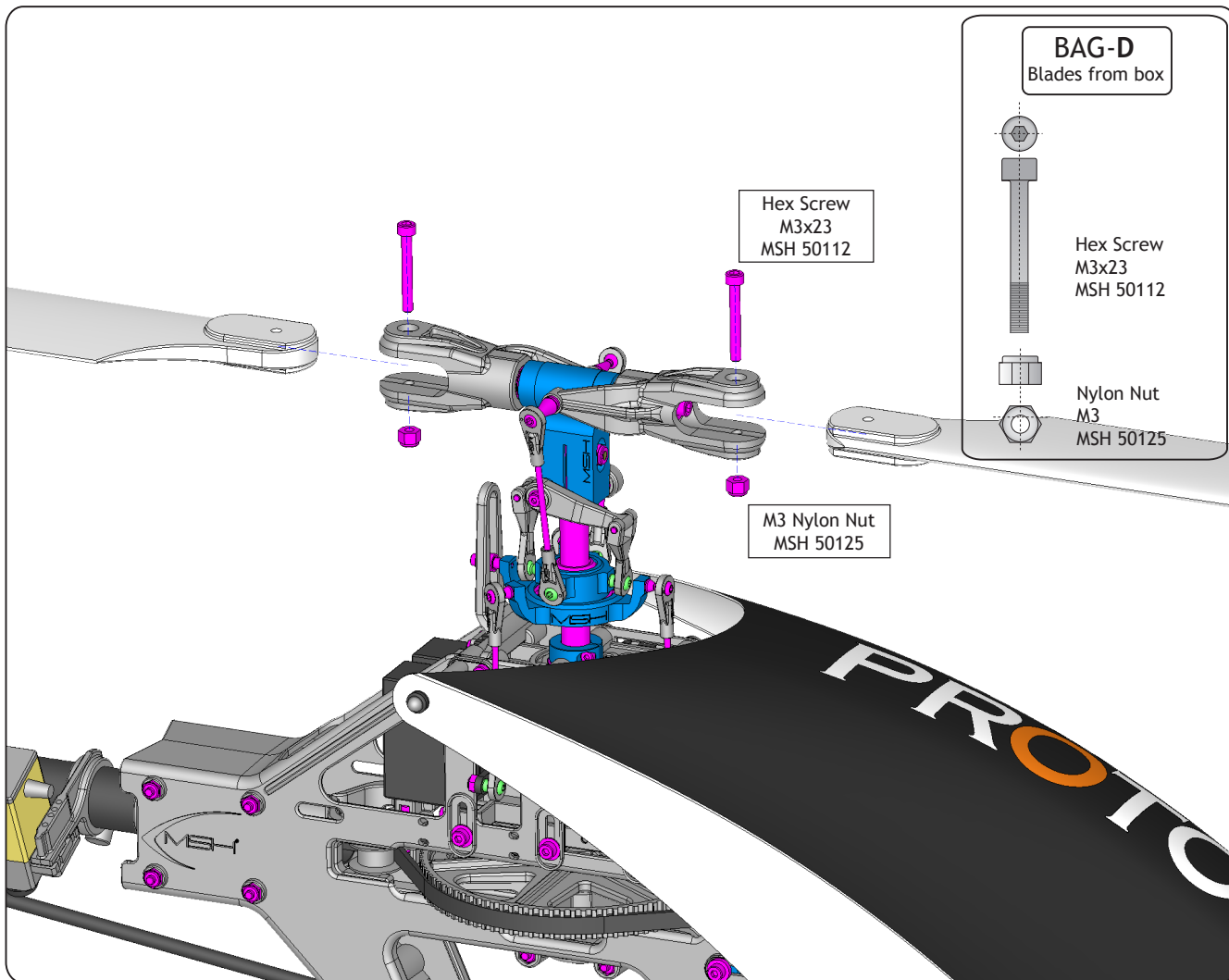


Belt Tension Adjustment

Please make sure that belt tension is set properly on both sides.
Front and Rear tension is set independently !!



Pressing the belt moderately, it should move 2-3 mm.
Test tension as indicated in the picture.



spare parts list

Spare code : MSH51000	Spare description: Battery and ESC oring set	
Part code	Part description	Part Qty
MSH50053	Oring 73x3,5	4
MSH50060	Oring 27x2,6	2
Spare code : MSH51004	Spare description: Steel Main shaft Hollow	
Part code	Part description	Part Qty
MSH50004	Main shaft hollow	2
MSH50110	Hex screw M3x8	1
MSH50121	Main shaft locking washer 3.1x10x1	1
Spare code : MSH51005	Spare description: Main shaft locking ring	
Part code	Part description	Part Qty
MSH50023	Main shaft lock	1
MSH50098	Hex screw M2x6	1
Spare code : MSH51006-01	Spare description: Tail shaft Hardened	
Part code	Part description	Part Qty
MSH50003	Tail shaft	1
MSH50073	Tail pulley	1
MSH50135	Washer 5x7,5x0,2	2
MSH50144	Pin 1,5x12	1
Spare code : MSH51007	Spare description: Motor adapter	
Part code	Part description	Part Qty
MSH50006	Motor adapter	1
MSH50052	Seeger RS 5	1
MSH50116	Hex grub screw M3x5	2
MSH50119	Washer 6x8x0,3	1
Spare code : MSH51009	Spare description: Ball M2x4,8	
Part code	Part description	Part Qty
MSH50007	Ball M2x4,8	5
Spare code : MSH51010	Spare description: Ball M2x2,8	
Part code	Part description	Part Qty
MSH50009	Ball M2x2,8	5
Spare code : MSH51011	Spare description: Landing gear struts	
Part code	Part description	Part Qty
MSH50087	Landing gear struts	2

Spare code : MSH51012	Spare description: Landing gear set	
Part code	Part description	Part Qty
MSH50087	Landing gear struts	2
MSH50089	Skids	2

Spare code : MSH51013	Spare description: Pinion 15T	
Part code	Part description	Part Qty
MSH50017	Motor pulley 15T	1
MSH50030	Oneway BB 6x10x12	1
MSH50031	BB 6x10x2,5	2
MSH50052	Seeger RS 5	1
MSH50119	Washer 6x8x0,3	1

Spare code : MSH51014	Spare description: Pinion 16T	
Part code	Part description	Part Qty
MSH50016	Motor pulley 16T	1
MSH50030	Oneway BB 6x10x12	1
MSH50031	BB 6x10x2,5	2
MSH50052	Seeger RS 5	1
MSH50119	Washer 6x8x0,3	1

Spare code : MSH51015	Spare description: Pinion 17T	
Part code	Part description	Part Qty
MSH50015	Motor pulley 17T	1
MSH50030	Oneway BB 6x10x12	1
MSH50031	BB 6x10x2,5	2
MSH50052	Seeger RS 5	1
MSH50119	Washer 6x8x0,3	1

Spare code : MSH51016	Spare description: Pinion 18T	
Part code	Part description	Part Qty
MSH50014	Motor pulley 18T	1
MSH50030	Oneway BB 6x10x12	1
MSH50031	BB 6x10x2,5	2
MSH50052	Seeger RS 5	1
MSH50119	Washer 6x8x0,3	1

Spare code : MSH51017	Spare description: Pinion 19T	
Part code	Part description	Part Qty
MSH50013	Motor pulley 19T	1
MSH50030	Oneway BB 6x10x12	1
MSH50031	BB 6x10x2,5	2
MSH50052	Seeger RS 5	1
MSH50119	Washer 6x8x0,3	1

Spare code : MSH51018	Spare description: Pinion 20T	
Part code	Part description	Part Qty
MSH50012	Motor pulley 20T	1
MSH50030	Oneway BB 6x10x12	1
MSH50031	BB 6x10x2,5	2
MSH50052	Seeger RS 5	1
MSH50119	Washer 6x8x0,3	1

Spare code : MSH51020	Spare description: Swashplate	
Part code	Part description	Part Qty
MSH50009	Ball M2x2,8	7
MSH50021	Swashplate bushing	1
MSH50024	Piatto 500	1
MSH50039	BB 2x5x2,5	2
MSH50099	Hex screw M2x10	1

Spare code : MSH51023	Spare description: Servo rods set	
Part code	Part description	Part Qty
MSH50046	Rod D 42,5mm	3

Spare code : MSH51028	Spare description: Washout uniball arm	
Part code	Part description	Part Qty
MSH50097	Wash out uniball arm	2

Spare code : MSH51030	Spare description: Uniball Link L	
Part code	Part description	Part Qty
MSH50092	Uniball hand L	10

Spare code : MSH51032	Spare description: Tail pitch assembly	
Part code	Part description	Part Qty
MSH50036	BB 7x11x3	2
MSH50057	Pin 1,5x8	2
MSH50061	Slide shaft	1
MSH50093	Tail pitch plate	1
MSH50094	Tail uniball hand	2
MSH50095	Tail pitch plate boss	1

Spare code : MSH51033	Spare description: Tail guide pulley	
Part code	Part description	Part Qty
MSH50019	Tail guide pulley bushing	1
MSH50033	BB 3x8x3	2
MSH50091	Guide pulley	1

Spare code : MSH51034	Spare description: Guide pulleys	
Part code	Part description	Part Qty
MSH50033	BB 3x8x3	6
MSH50054	Pin 3x14	3
MSH50091	Guide pulley	3

Spare code : MSH51037		Spare description: Servo adapter set	
Part code	Part description		Part Qty
MSH50086	Servo adapter		1
Spare code : MSH51038		Spare description: Tail blades	
Part code	Part description		Part Qty
MSH50090	Tail blade		2
Spare code : MSH51039		Spare description: 10mm Main blade holders	
Part code	Part description		Part Qty
MSH50034	BB 5x10x4		4
MSH50042	Thrust BB 5x10x4		2
MSH50083	Main blade holder		2
MSH50099	Hex screw M2x10		2
MSH50114	Hex screw M3x23 6mm threaded		2
MSH50125	M3 nylon nut		2
MSH50135	Washer 5x7,5x0,2		2
Spare code : MSH51041		Spare description: Servo frames	
Part code	Part description		Part Qty
MSH50032	BB 8x16x5		2
MSH50081	Servo frame comolded		2
MSH50086	Servo adapter		1
MSH50099	Hex screw M2x10		12
MSH50101	Hex screw M2,5x5		2
MSH50102	Hex screw M2,5x6		10
MSH50115	Hex grub screw M2,5x12		2
MSH50146	Washer 2.6x6.5x1.5		6
Spare code : MSH51042		Spare description: Antispin and front pulley holder	
Part code	Part description		Part Qty
MSH50071	Guide pulley support		1
MSH50080	Anti swashplate spin		1
MSH50103	Hex screw M2,5x8		4
Spare code : MSH51044		Spare description: Tail box	
Part code	Part description		Part Qty
MSH50034	BB 5x10x4		2
MSH50078	Tail box R		1
MSH50079	Tail box L		1
MSH50106	Hex screw M2,5x16		1
MSH50107	Hex screw M2,5x20		3
MSH50124	M2,5 nylon nut		4

Spare code : MSH51045

Spare description: Tail pitch lever

Part code	Part description	Part Qty
MSH50007	Ball M2x4,8	1
MSH50020	Tail pitch lever bushing	1
MSH50037	BB 3x6x2,5	2
MSH50077	Tail pitch lever	1
MSH50100	M2,5x5 Special tail pitch lever screw	2
MSH50106	Hex screw M2,5x16	1
MSH50124	M2,5 nylon nut	1

Spare code : MSH51046

Spare description: Tail rotor

Part code	Part description	Part Qty
MSH50007	Ball M2x4,8	2
MSH50022	Tail spindle	1
MSH50035	BB 3x8x4	4
MSH50076	Tail blade holder	2
MSH50106	Hex screw M2,5x16	2
MSH50111	Hex screw M3x12	2
MSH50117	Hex grub screw M3x3	1
MSH50124	M2,5 nylon nut	2

Spare code : MSH51047

Spare description: Tail blade holders

Part code	Part description	Part Qty
MSH50076	Tail blade holder	2

Spare code : MSH51048

Spare description: Tail spindle

Part code	Part description	Part Qty
MSH50022	Tail spindle	1
MSH50111	Hex screw M3x12	2
MSH50117	Hex grub screw M3x3	1

Spare code : MSH51049

Spare description: Fin set assembly

Part code	Part description	Part Qty
MSH50067	Horizontal fin clamp Lower part	1
MSH50068	Horizontal fin plastic	1
MSH50069	Horizontal fin clamp Upper part	1
MSH50075	Vertical fin plastic	1
MSH50108	Hex screw M2,5x25	2
MSH50124	M2,5 nylon nut	2

Spare code : MSH51050

Spare description: Fin set

Part code	Part description	Part Qty
MSH50068	Horizontal fin plastic	1
MSH50075	Vertical fin plastic	1

Spare code : MSH51051	Spare description: Tail servo holder	
Part code	Part description	Part Qty
MSH50074	Tail servo holder	2
MSH50086	Servo adapter	1
MSH50099	Hex screw M2x10	4
MSH50105	Hex screw M2,5x12	2

Spare code : MSH51052	Spare description: Main Pulley	
Part code	Part description	Part Qty
MSH50072	Main gear	1
MSH50113	Hex screw M3x20	1
MSH50125	M3 nylon nut	1

Spare code : MSH51053	Spare description: Main frame assembly	
Part code	Part description	Part Qty
MSH50066	Main frame R	1
MSH50070	Main frame L	1
MSH50071	Guide pulley support	1
MSH50080	Anti swashplate spin	1
MSH50103	Hex screw M2,5x8	4
MSH50106	Hex screw M2,5x16	5
MSH50109	Hex screw M2,5x42	4
MSH50118	Self tapping screw	1
MSH50124	M2,5 nylon nut	9

Spare code : MSH51054	Spare description: Canopy grommets	
Part code	Part description	Part Qty
MSH50128	Canopy grommet	4

Spare code : MSH51055	Spare description: Canopy mounting post	
Part code	Part description	Part Qty
MSH50063	Canopy stand	2
MSH50115	Hex grub screw M2,5x12	2

Spare code : MSH51056	Spare description: Tail boom case	
Part code	Part description	Part Qty
MSH50064	Tail boom case	2
MSH50109	Hex screw M2,5x42	4
MSH50118	Self tapping screw	2
MSH50124	M2,5 nylon nut	4

Spare code : MSH51057	Spare description: Motor mount	
Part code	Part description	Part Qty
MSH50028	Motor mount	1
MSH50110	Hex screw M3x8	4
MSH50122	Washer 3.1x8x1	4
MSH50146	Washer 2.6x6.5x1.5	4

Spare code : MSH51059		
Part code	Part description	Part Qty
MSH50002	Canopy White	1
MSH50128	Canopy grommet	2
Spare code : MSH51061		
Part code	Part description	Part Qty
MSH50130	Main Blade Sponge Holder PROTOS (orange)	1
Spare code : MSH51062		
Part code	Part description	Part Qty
MSH50131	Main blade MSH lenght=430mm root=10mm	1
Spare code : MSH51063		
Part code	Part description	Part Qty
MSH50126	Scorpion Motor 880Kv	1
Spare code : MSH51065		
Part code	Part description	Part Qty
MSH50042	Thrust BB 5x10x4	2
Spare code : MSH51066		
Part code	Part description	Part Qty
MSH50041	BB 2x5x2,5 Flanged	2
Spare code : MSH51067		
Part code	Part description	Part Qty
MSH50032	BB 8x16x5	3
Spare code : MSH51068		
Part code	Part description	Part Qty
MSH50037	BB 3x6x2,5	2
Spare code : MSH51069		
Part code	Part description	Part Qty
MSH50036	BB 7x11x3	2
Spare code : MSH51070		
Part code	Part description	Part Qty
MSH50035	BB 3x8x4	4
Spare code : MSH51071		
Part code	Part description	Part Qty
MSH50034	BB 5x10x4	4
Spare code : MSH51072		
Part code	Part description	Part Qty
MSH50033	BB 3x8x3	2

Spare code : MSH51073	Spare description: 6x10x2,5	
Part code	Part description	Part Qty
MSH50031	BB 6x10x2,5	2
Spare code : MSH51074	Spare description: 2x5x2,5	
Part code	Part description	Part Qty
MSH50039	BB 2x5x2,5	2
Spare code : MSH51075	Spare description: 2,5x6x2,5 F	
Part code	Part description	Part Qty
MSH50043	BB 2,5x6x2,5 Flanged	2
Spare code : MSH51078	Spare description: Painted canopy FG New Scheme	
Part code	Part description	Part Qty
MSH50128	Canopy grommet	2
MSH50141	Canopy New Scheme	1
Spare code : MSH51080	Spare description: Steel main shaft solid	
Part code	Part description	Part Qty
MSH50110	Hex screw M3x8	1
MSH50121	Main shaft locking washer 3.1x10x1	1
MSH50143	Main shaft solid	2
Spare code : MSH51081	Spare description: Painted canopy FG Classic Scheme	
Part code	Part description	Part Qty
MSH50001	Canopy Classic Scheme	1
Spare code : MSH51082	Spare description: Servo frames PLASTIC ONLY	
Part code	Part description	Part Qty
MSH50081	Servo frame comolded	2
MSH50086	Servo adapter	1
Spare code : MSH51085	Spare description: 10mm Main blade holder PLASTIC ONLY	
Part code	Part description	Part Qty
MSH50083	Main blade holder	2
Spare code : MSH51086	Spare description: Tail box PLASTIC ONLY	
Part code	Part description	Part Qty
MSH50078	Tail box R	1
MSH50079	Tail box L	1
Spare code : MSH51089	Spare description: Main Frame PLASTIC ONLY	
Part code	Part description	Part Qty
MSH50066	Main frame R	1
MSH50070	Main frame L	1
MSH50071	Guide pulley support	1
MSH50080	Anti swashplate spin	1

Spare code : MSH51091	Spare description: Carbon frame - Plastic parts	
Part code	Part description	Part Qty
MSH50148	Battery plate	1
MSH50150	Third BB support	1
MSH50208	Lower plate 90°	1
Spare code : MSH51092	Spare description: CF Frame plates	
Part code	Part description	Part Qty
MSH50151	Carbon frame L	1
MSH50152	Carbon frame R	1
Spare code : MSH51093	Spare description: ESC MSH by YGE 60 A	
Part code	Part description	Part Qty
MSH40088	ESC YGE by MSH 60 A	1
Spare code : MSH51094	Spare description: CF Fins set	
Part code	Part description	Part Qty
MSH50154	Vertical Fin CF	1
MSH50155	Horizontal fin CF	1
Spare code : MSH51118	Spare description: Flybarless long stand uniball	
Part code	Part description	Part Qty
MSH50176	Ball Long stand grips FBL	2
MSH50353	Main blade washer FBL 500	2
Spare code : MSH51119	Spare description: Flybarless spindle kit	
Part code	Part description	Part Qty
MSH50177	FBL spindle	1
MSH50178	Spindle spacers FBL	2
Spare code : MSH51120	Spare description: Flybarless swashplate ball	
Part code	Part description	Part Qty
MSH50175	Ball swashplate FBL	3
Spare code : MSH51136	Spare description: M2 Nylon nut	
Part code	Part description	Part Qty
MSH40029	M2 nylon nut	10
Spare code : MSH51137	Spare description: M2,5 Nylon nut	
Part code	Part description	Part Qty
MSH50124	M2,5 nylon nut	10
Spare code : MSH51138	Spare description: M3 Nylon nut	
Part code	Part description	Part Qty
MSH50125	M3 nylon nut	5
Spare code : MSH51139	Spare description: M3x8 Socket head button screw	
Part code	Part description	Part Qty
MSH50147	Hex screw M3x8 button head	5

Spare code : MSH51140	Spare description: M2,5x42 Socket head cap screw
Part code	Part description
MSH50109	Hex screw M2,5x42
	Part Qty
	8
Spare code : MSH51141	Spare description: M2x10 Socket head cap screw
Part code	Part description
MSH50099	Hex screw M2x10
	Part Qty
	10
Spare code : MSH51142	Spare description: M2x6 Socket head cap screw
Part code	Part description
MSH50098	Hex screw M2x6
	Part Qty
	10
Spare code : MSH51143	Spare description: M2,5x10 Socket head cap screw
Part code	Part description
MSH50104	Hex screw M2,5x10
	Part Qty
	10
Spare code : MSH51144	Spare description: M2,5x12 Socket head cap screw
Part code	Part description
MSH50105	Hex screw M2,5x12
	Part Qty
	10
Spare code : MSH51145	Spare description: M2,5x16 Socket head cap screw
Part code	Part description
MSH50106	Hex screw M2,5x16
	Part Qty
	5
Spare code : MSH51146	Spare description: M2,5x20 Socket head cap screw
Part code	Part description
MSH50107	Hex screw M2,5x20
	Part Qty
	5
Spare code : MSH51147	Spare description: M2,5x25 Socket head cap screw
Part code	Part description
MSH50108	Hex screw M2,5x25
	Part Qty
	5
Spare code : MSH51148	Spare description: M2,5x5 Socket head cap screw
Part code	Part description
MSH50101	Hex screw M2,5x5
	Part Qty
	10
Spare code : MSH51149	Spare description: M3x12 Socket head cap screw
Part code	Part description
MSH50111	Hex screw M3x12
	Part Qty
	5
Spare code : MSH51150	Spare description: M3x20 Socket head cap screw
Part code	Part description
MSH50113	Hex screw M3x20
	Part Qty
	5
Spare code : MSH51151	Spare description: M3x23 6mm threaded Socket head cap screw
Part code	Part description
MSH50114	Hex screw M3x23 6mm threaded
	Part Qty
	4

Spare code : MSH51152	Spare description: M3x8 Socket head cap screw
Part code	Part description
MSH50110	Hex screw M3x8
	Part Qty
	5
Spare code : MSH51153	Spare description: M2,5x6 Socket head cap screw
Part code	Part description
MSH50102	Hex screw M2,5x6
	Part Qty
	10
Spare code : MSH51154	Spare description: M2,5x8 Socket head cap screw
Part code	Part description
MSH50103	Hex screw M2,5x8
	Part Qty
	10
Spare code : MSH51155	Spare description: M3x14 Socket head cap screw
Part code	Part description
MSH50112	Hex screw M3x14
	Part Qty
	5
Spare code : MSH51157	Spare description: M3x16 Socket head cap screw
Part code	Part description
MSH70083	Hex screw M3x16
	Part Qty
	5
Spare code : MSH51158	Spare description: M2,5x12 Socket set screw
Part code	Part description
MSH50115	Hex grub screw M2,5x12
	Part Qty
	5
Spare code : MSH51159	Spare description: M3x3 Socket set screw
Part code	Part description
MSH50117	Hex grub screw M3x3
	Part Qty
	5
Spare code : MSH51160	Spare description: M3x5 Socket set screw
Part code	Part description
MSH50116	Hex grub screw M3x5
	Part Qty
	5
Spare code : MSH51161	Spare description: M2,5x5 Tail pitch lever customized screw
Part code	Part description
MSH50100	M2,5x5 Special tail pitch lever screw
	Part Qty
	6
Spare code : MSH51162	Spare description: Head dampeners moulded standard (black)
Part code	Part description
MSH50178	Spindle spacers FBL
	Part Qty
MSH50202	Dumper main head 500
	2
	2
Spare code : MSH51164	Spare description: Head link FBL (short head)
Part code	Part description
MSH50046	Rod D 42,5mm
	Part Qty
MSH50092	Uniball hand L
	2
	4

Spare code : MSH51165		Spare description: Main hub (short)	
Part code		Part description	Part Qty
MSH50125		M3 nylon nut	1
MSH50202		Dumper main head 500	2
MSH50206		Low flybarless hub	1
MSH70083		Hex screw M3x16	1
Spare code : MSH51317		Spare description: Bearing set motor 880 KV	
Part code		Part description	Part Qty
MSH50345		Motor bearing set 880KV	1
Spare code : MSH51320		Spare description: MSH/YGE ProgCard II	
Part code		Part description	Part Qty
MSH50348		MSH/YGE ProgCard	1
Spare code : MSH51322		Spare description: Tail boom stretch	
Part code		Part description	Part Qty
MSH50191		Tail Boom stretch	2
Spare code : MSH51323		Spare description: Belt stretch	
Part code		Part description	Part Qty
MSH50192		Belt 1464 x 5mm	1
Spare code : MSH51324		Spare description: Tail supports stretch	
Part code		Part description	Part Qty
MSH50065		Brace rod end	4
MSH50193		Tail boom brace stretch	2
Spare code : MSH51325		Spare description: Tail control rod stretch	
Part code		Part description	Part Qty
MSH50092		Uniball hand L	2
MSH50166		Tail control rod fitting	2
MSH50194		Tail control rod stretch	1
Spare code : MSH51336		Spare description: Flybarless washout arms	
Part code		Part description	Part Qty
MSH40012		BB Spacers	2
MSH50039		BB 2x5x2,5	4
MSH50058		Pin 2x12	2
MSH50097		Wash out uniball arm	2
MSH50099		Hex screw M2x10	2
MSH50201		Wash out arm FBL	2

specification and design are subject to change without notice
 LOCTITE, Spektrum, Futaba, HOTT and Multiplex are a registered trademarks

MSHeli s.r.l.

Uboldo (VA)
 ITALY