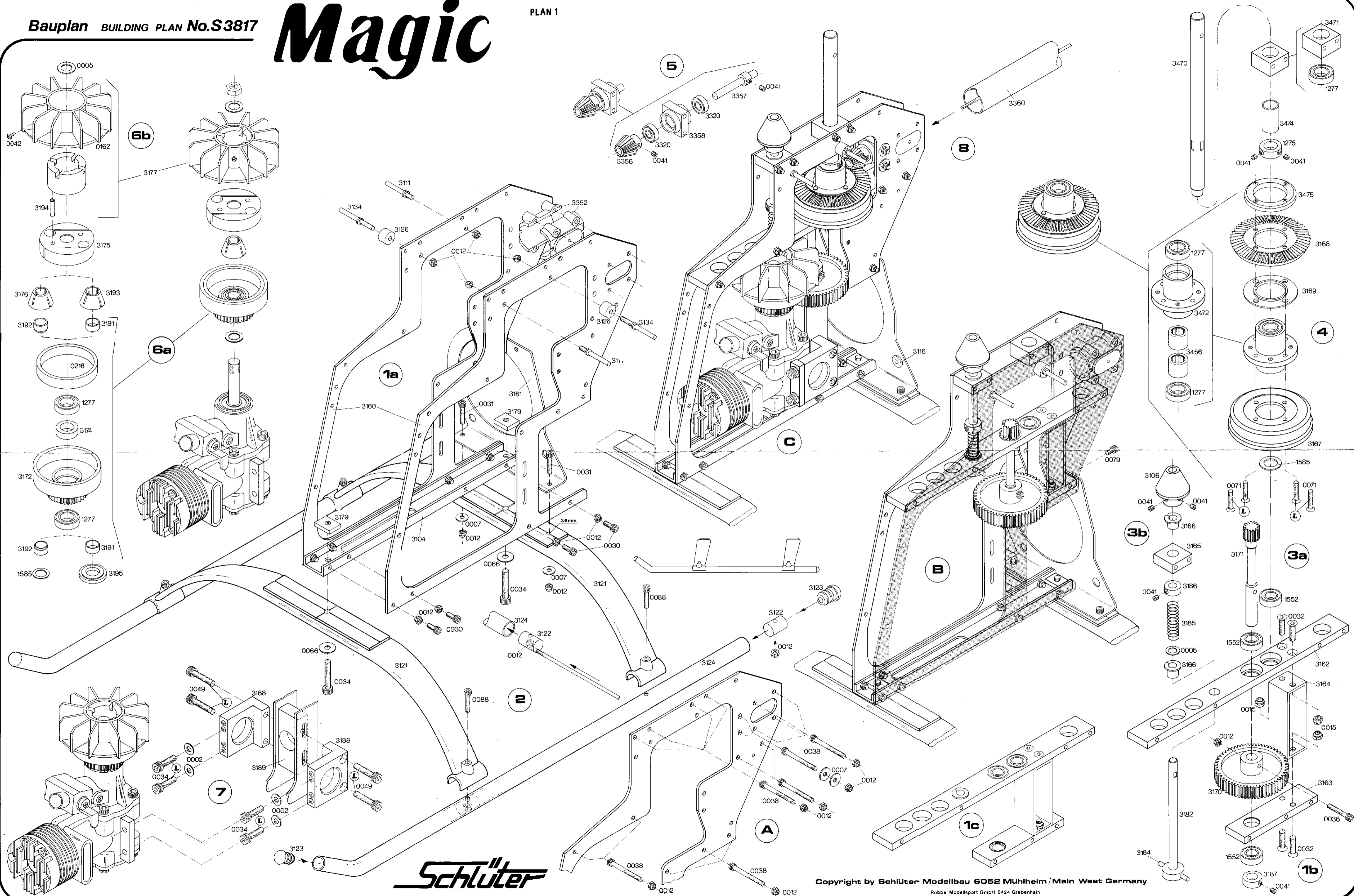


Magic

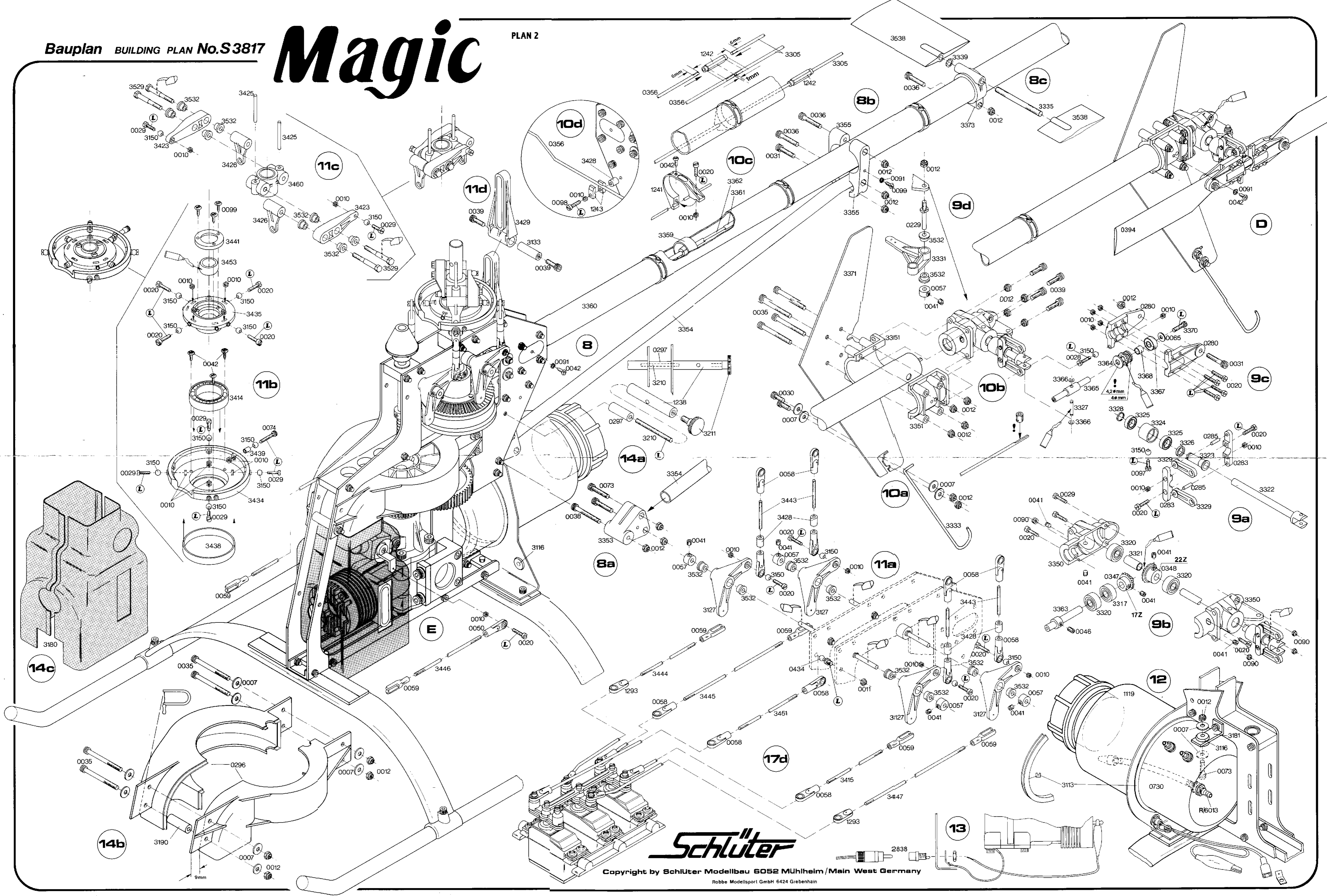
PLAN 1



Schlüter

Magic

PLAN 2

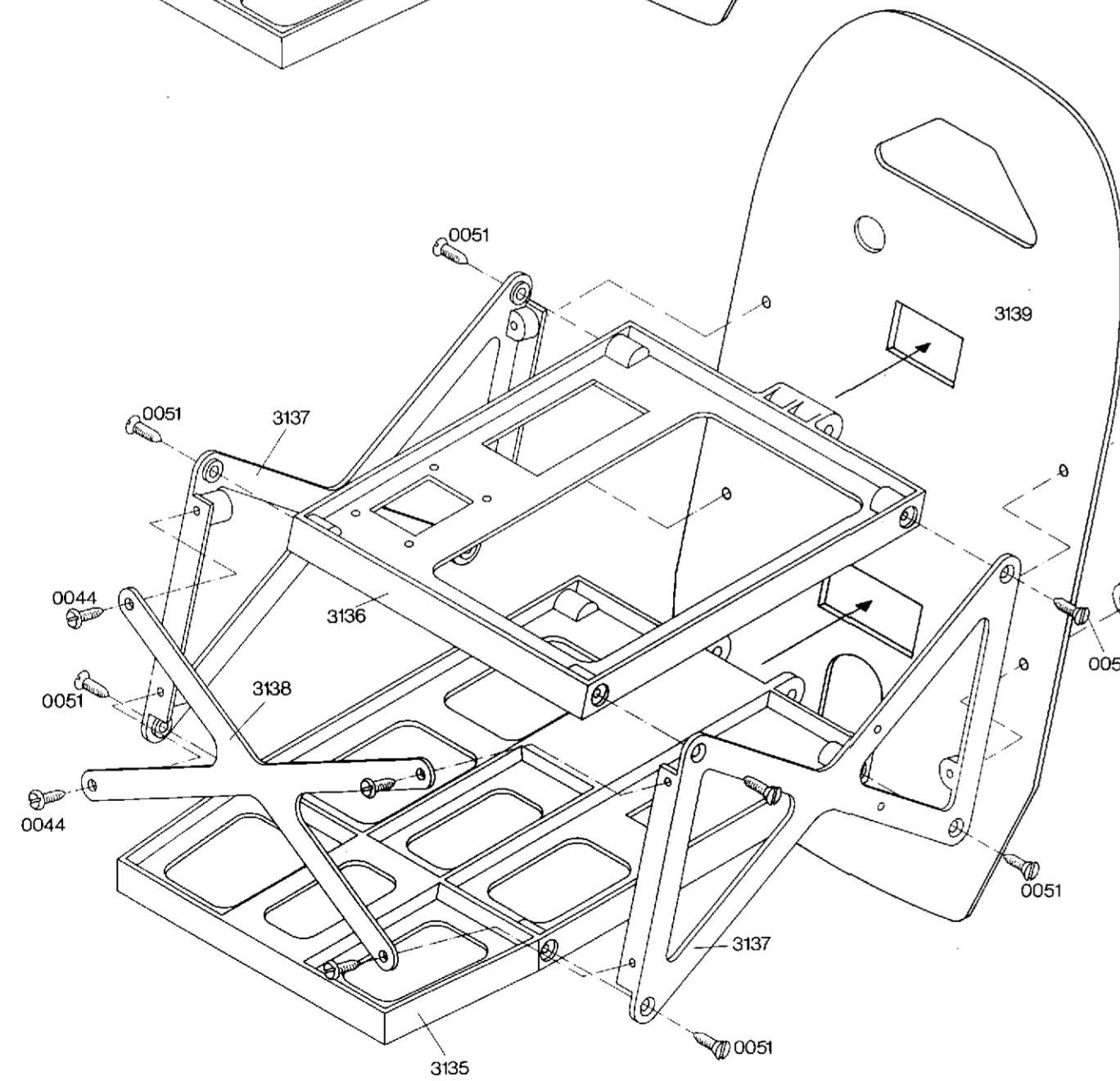
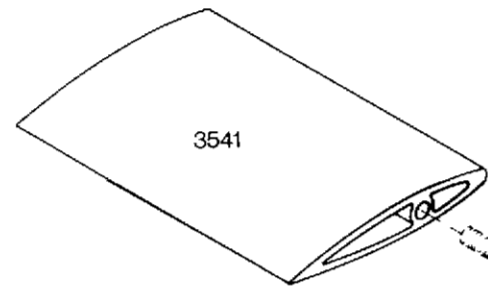
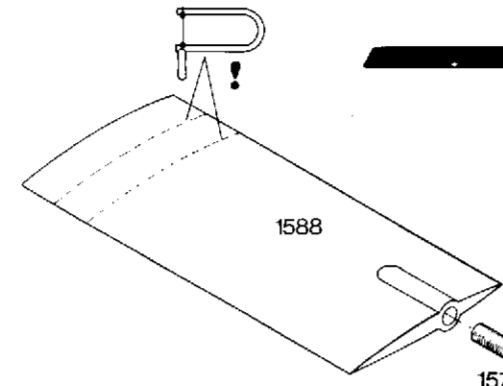
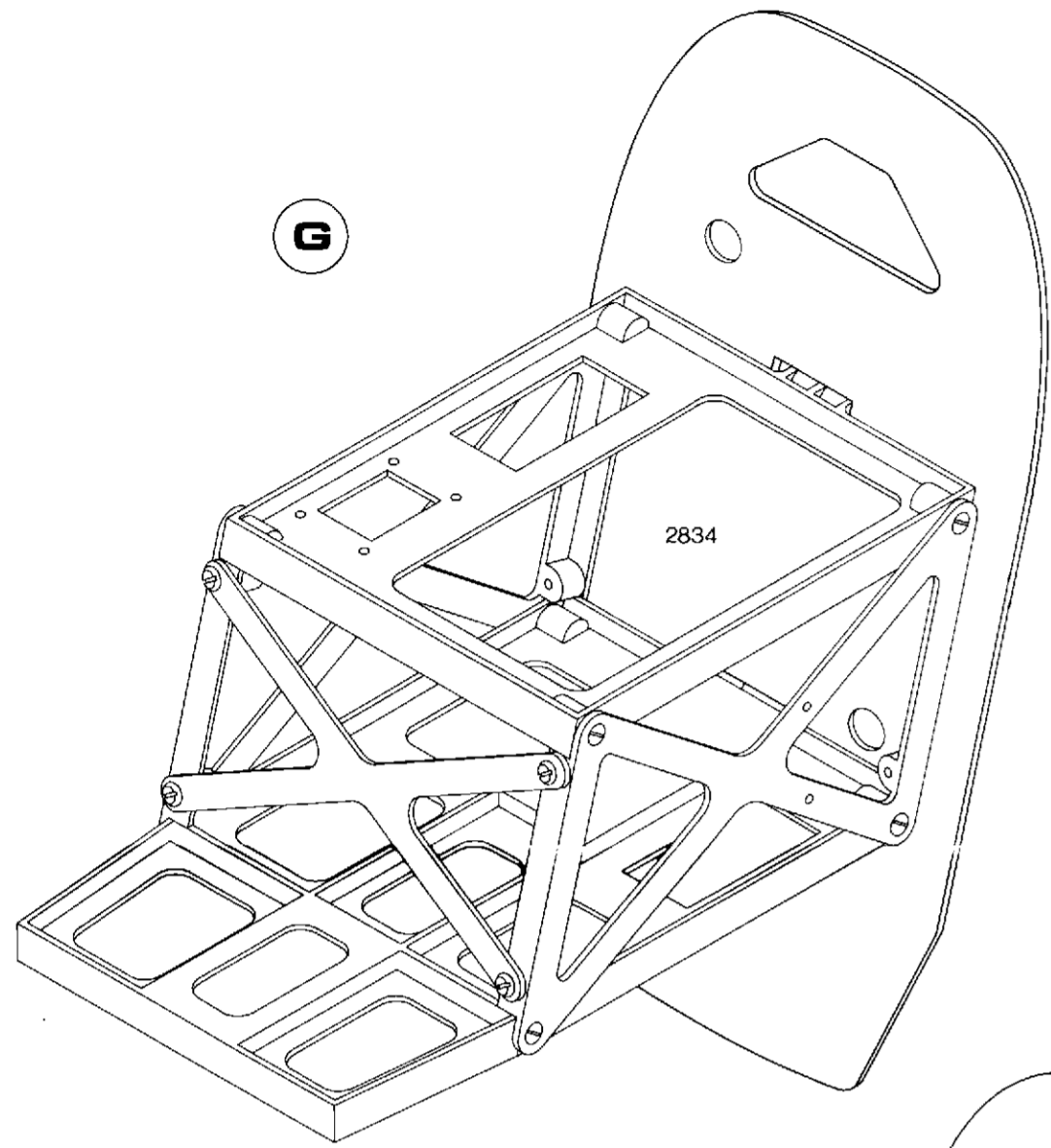


Schlüter

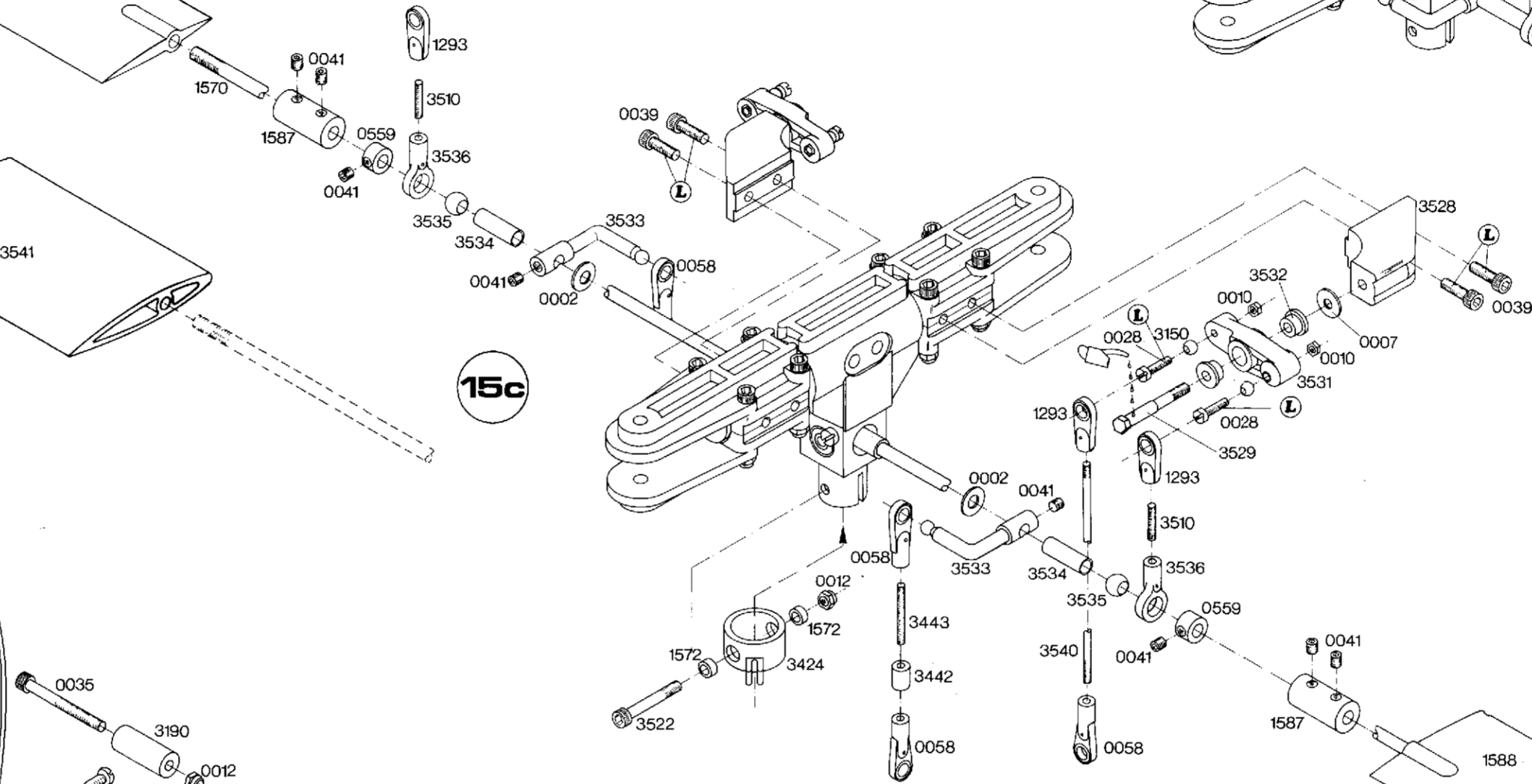
Copyright by Schlüter Modellbau 6052 Mülheim/Main West Germany

Robbe Modellsport GmbH 6424 Grebenheim

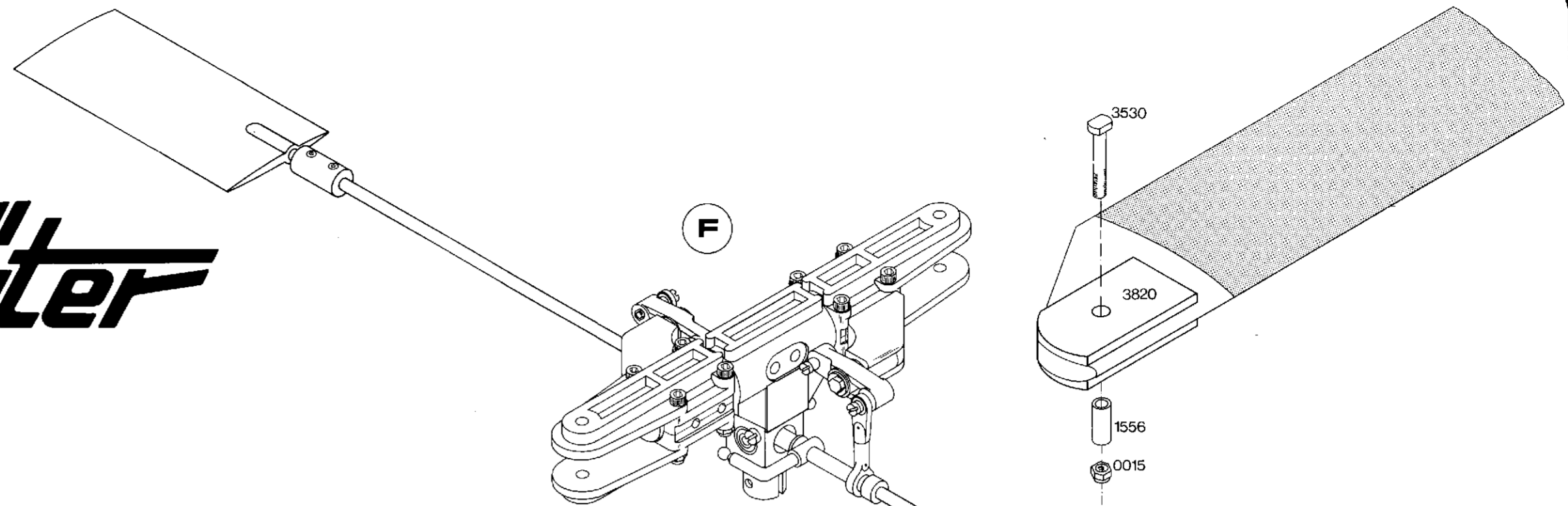
Schlüter



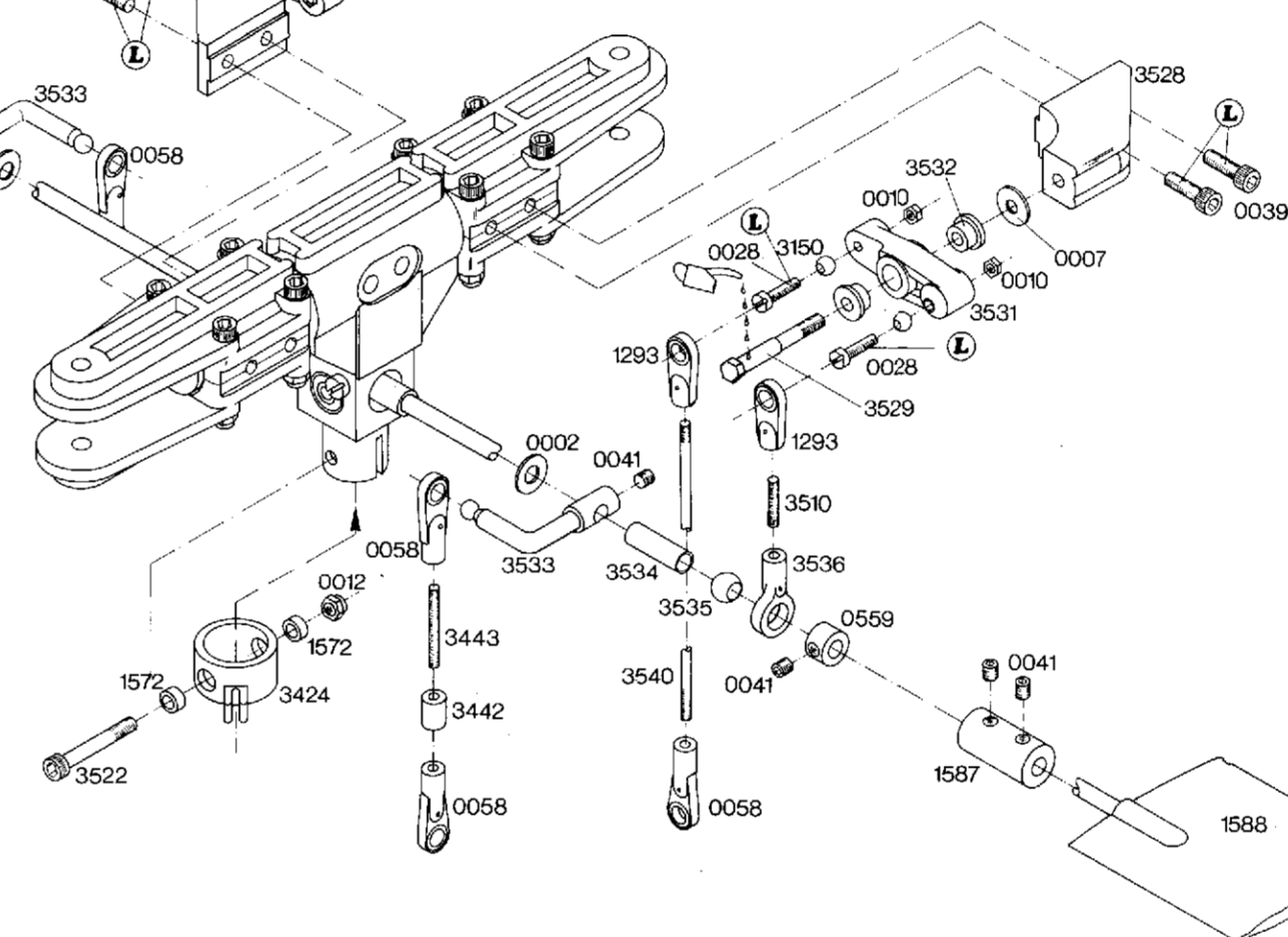
16



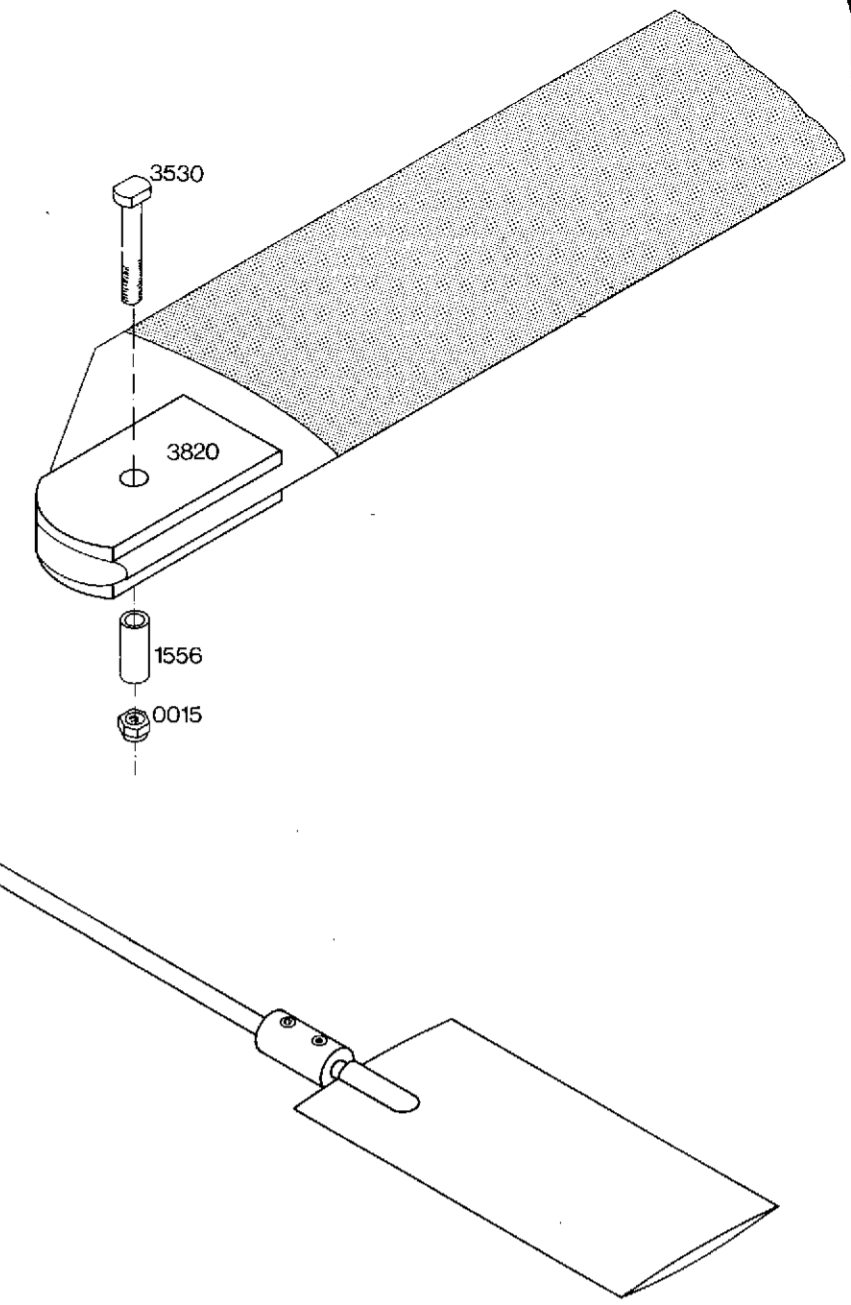
15c



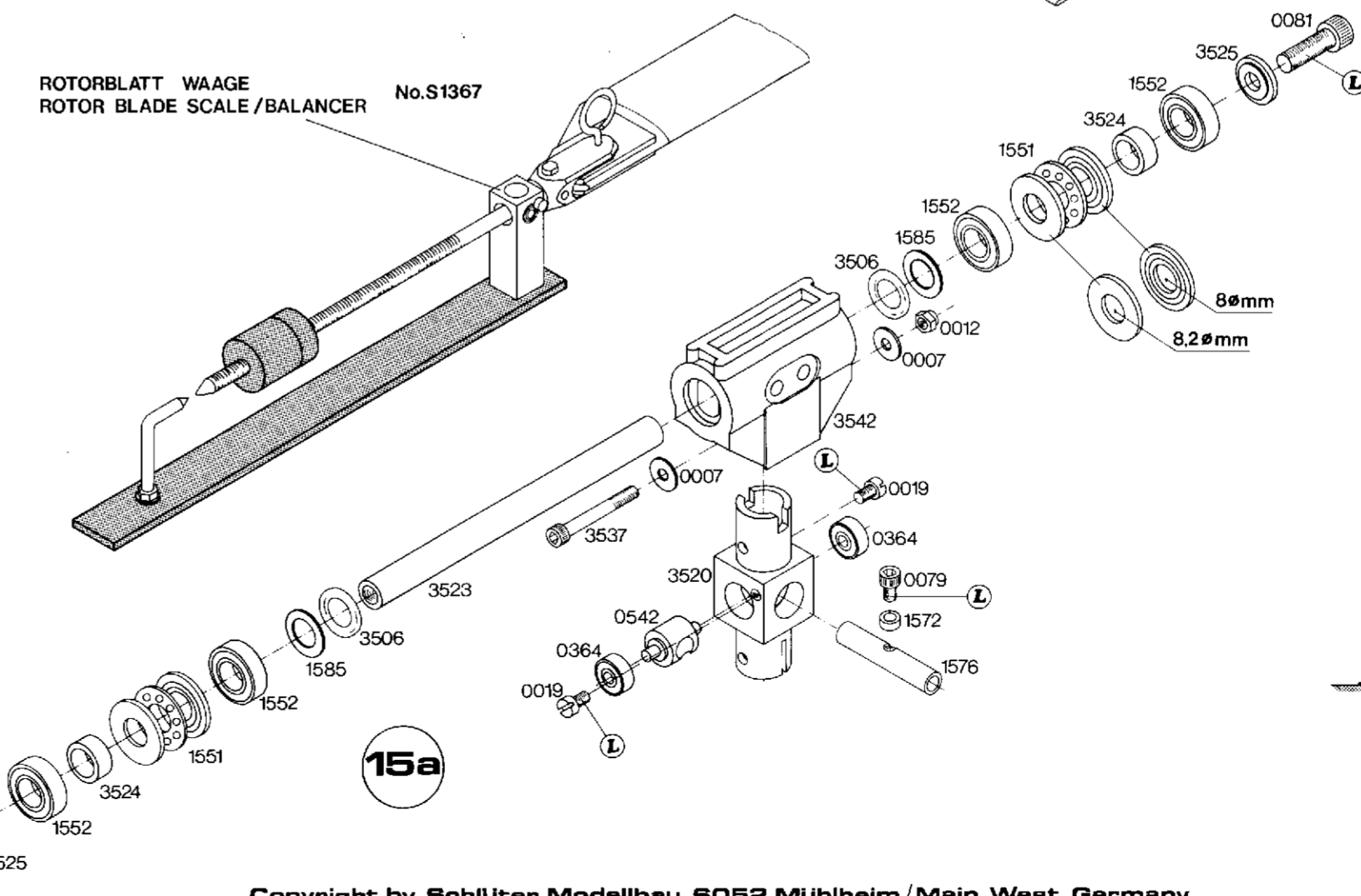
F



15b

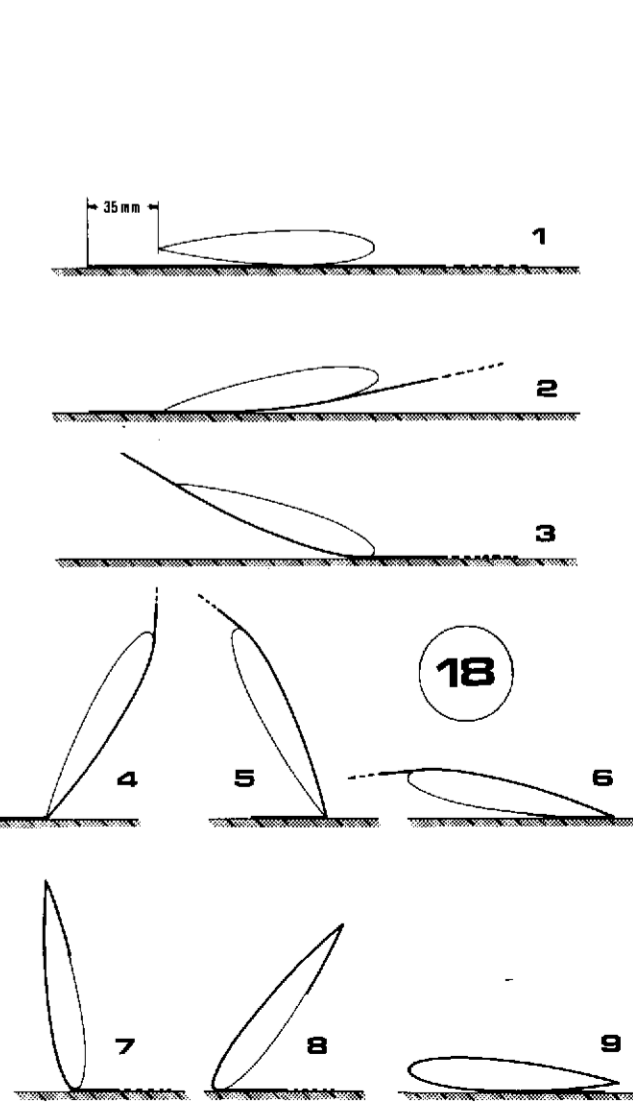
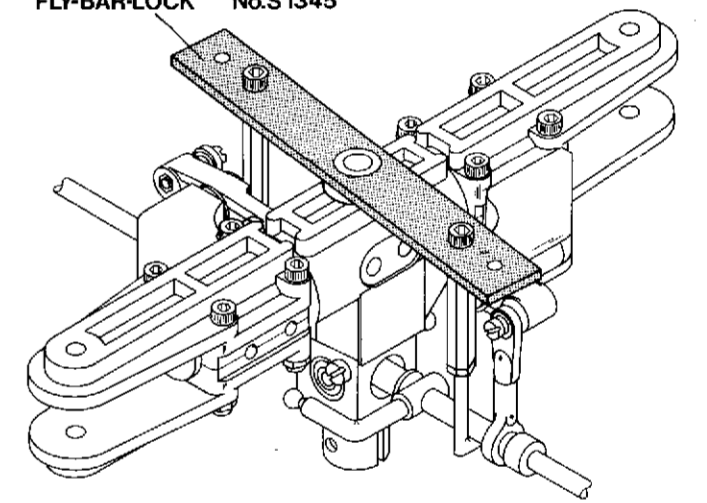


ROTORBLATT WAAGE
ROTOR BLADE SCALE/BALANCER No.S1367



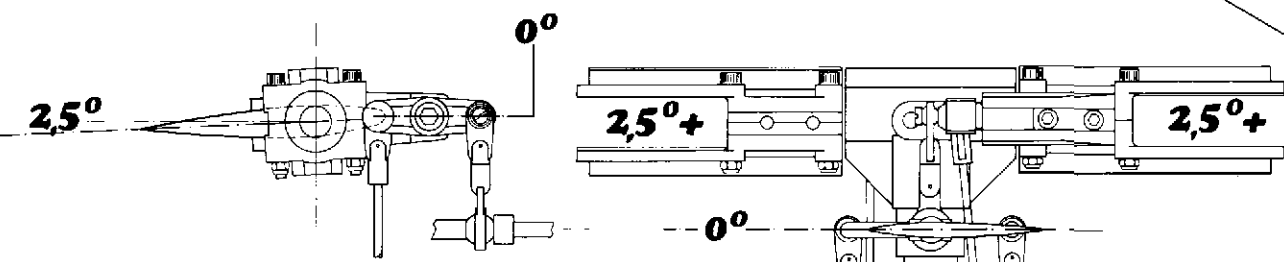
15a

HAUPTROTOR-EINSTELLHILFE
FLY-BAR-LOCK No.S1345

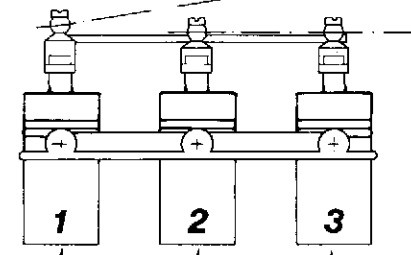


18

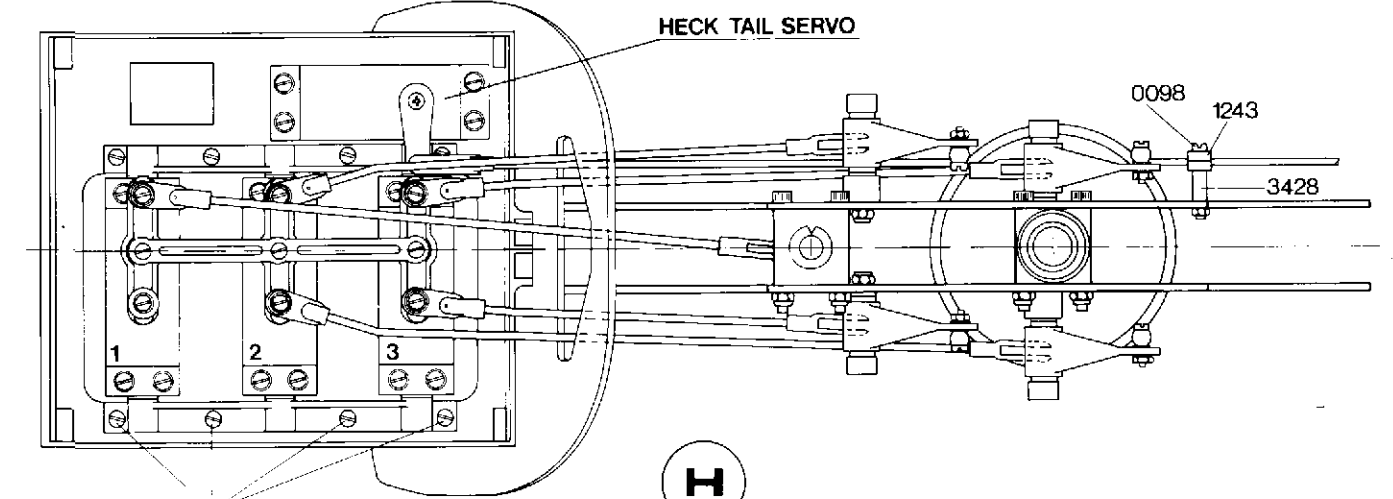
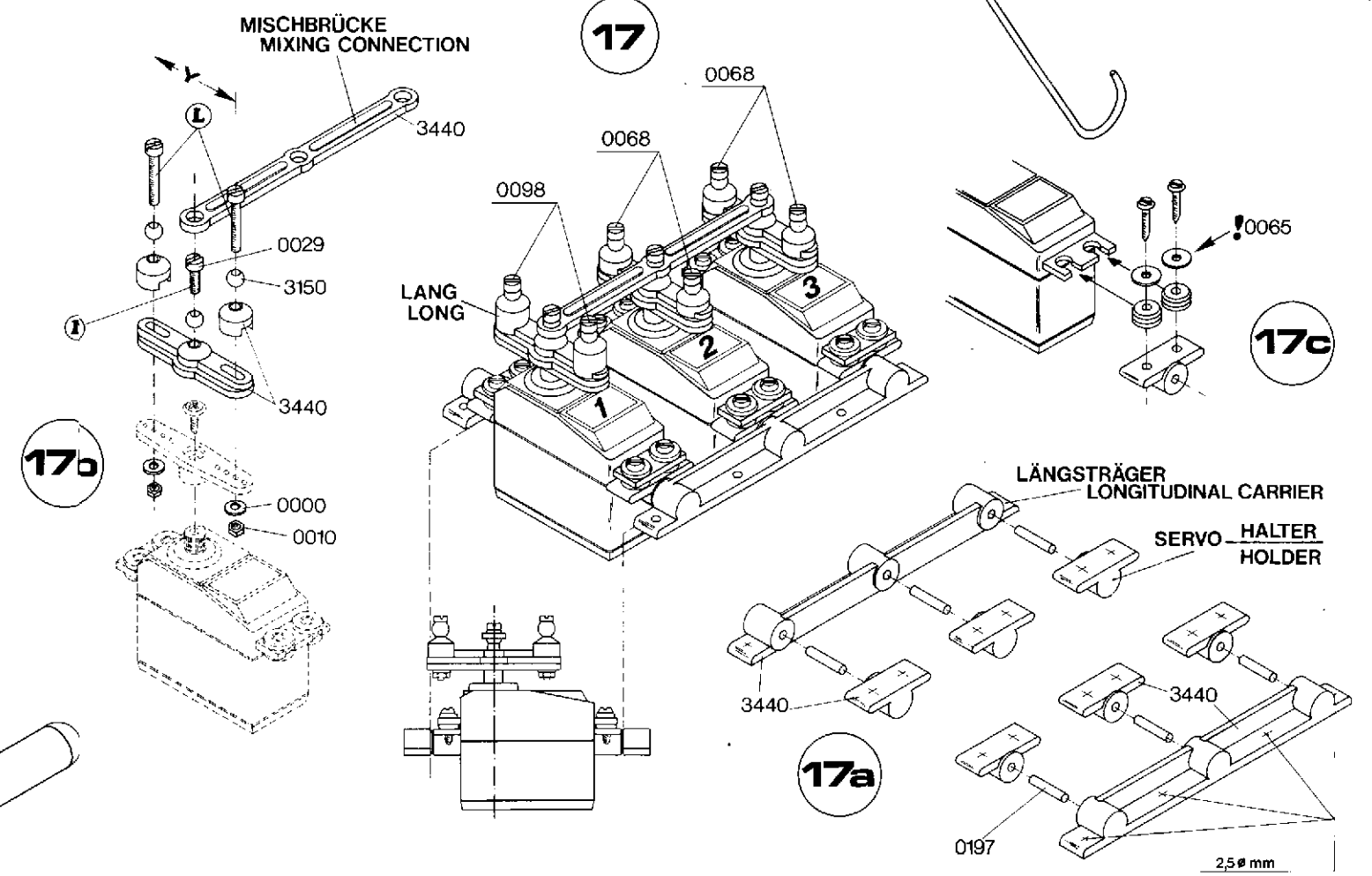
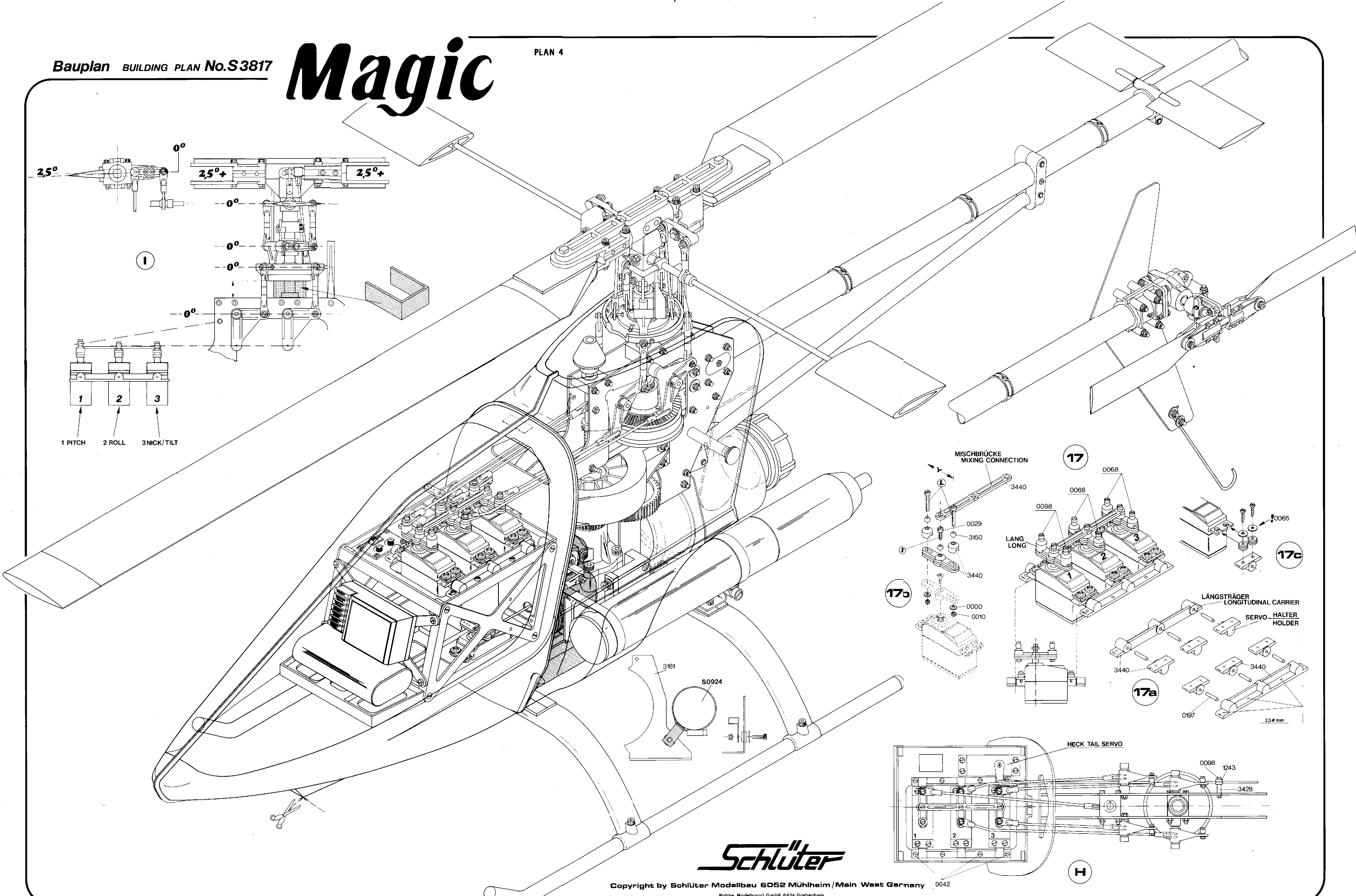
Magic



I



1 PITCH 2 ROLL 3 NICK/TILT



Schlüter