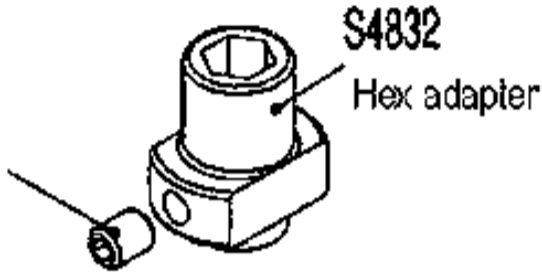


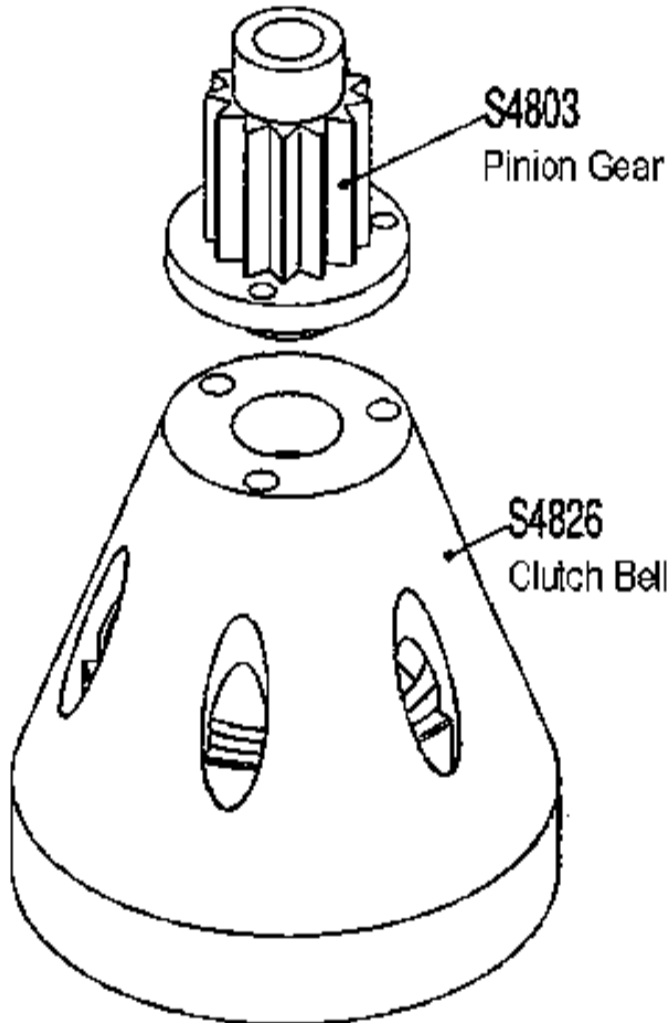
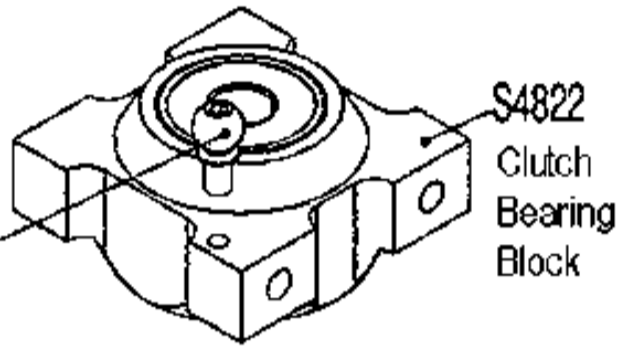
L

S0077



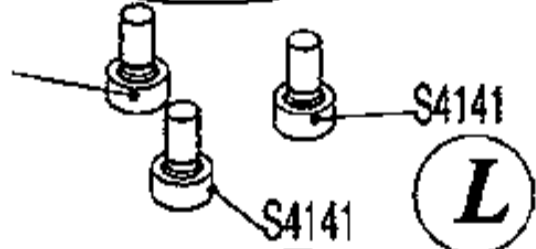
S3495

L



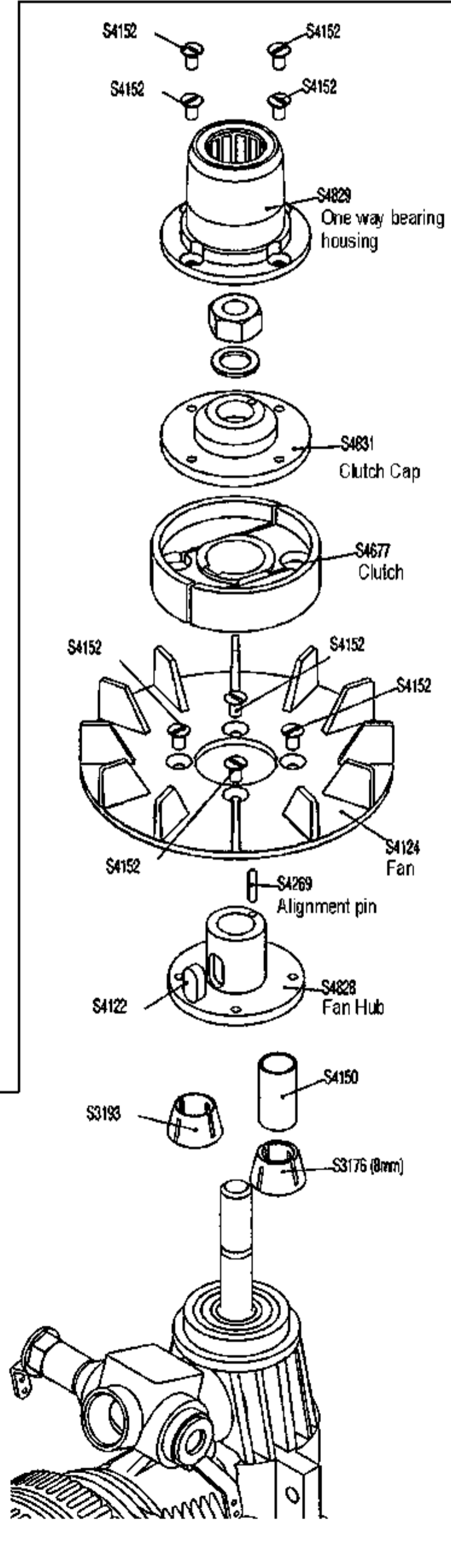
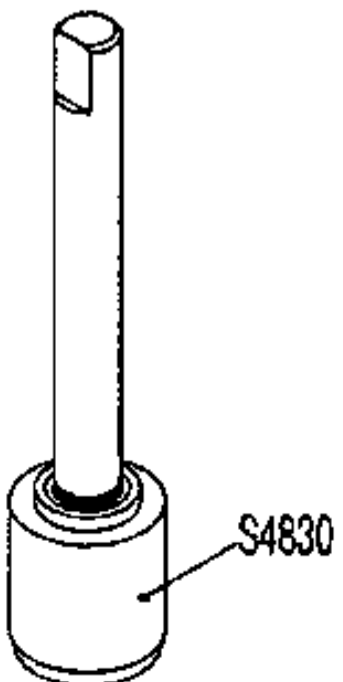
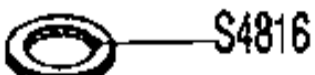
L

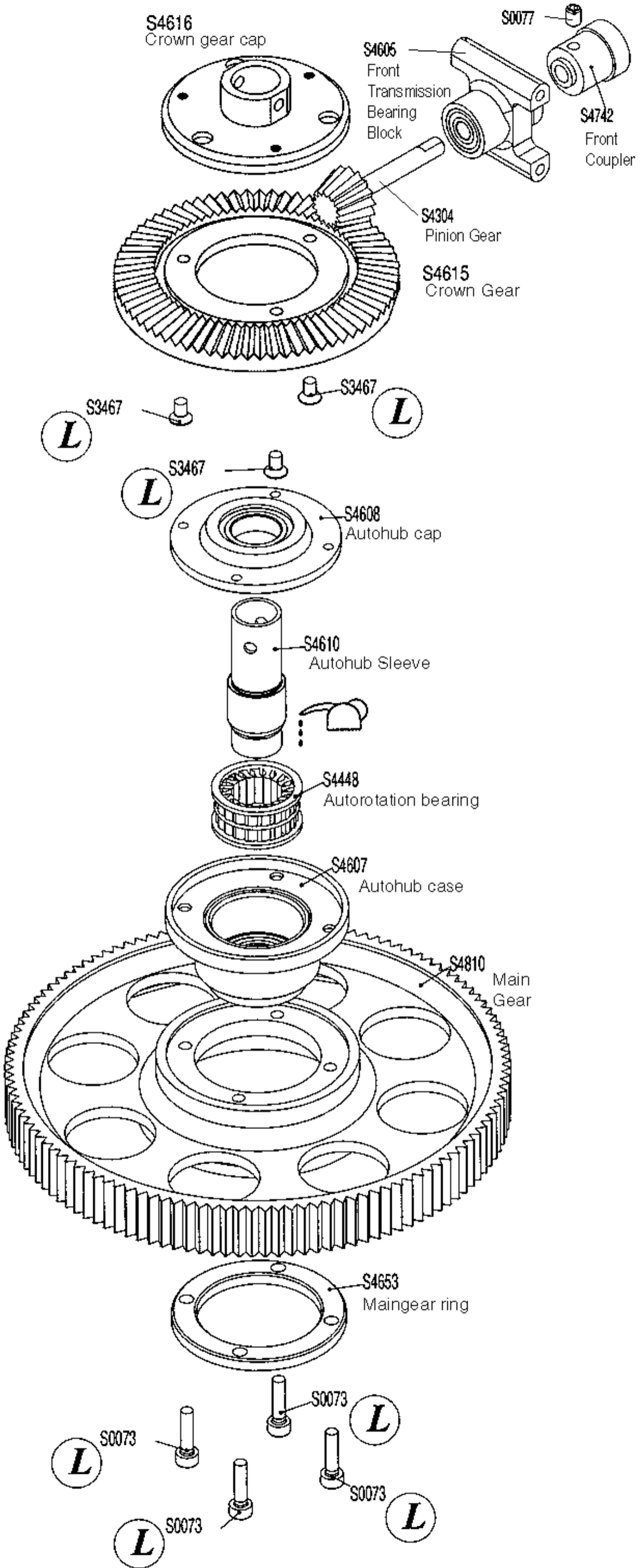
S4141

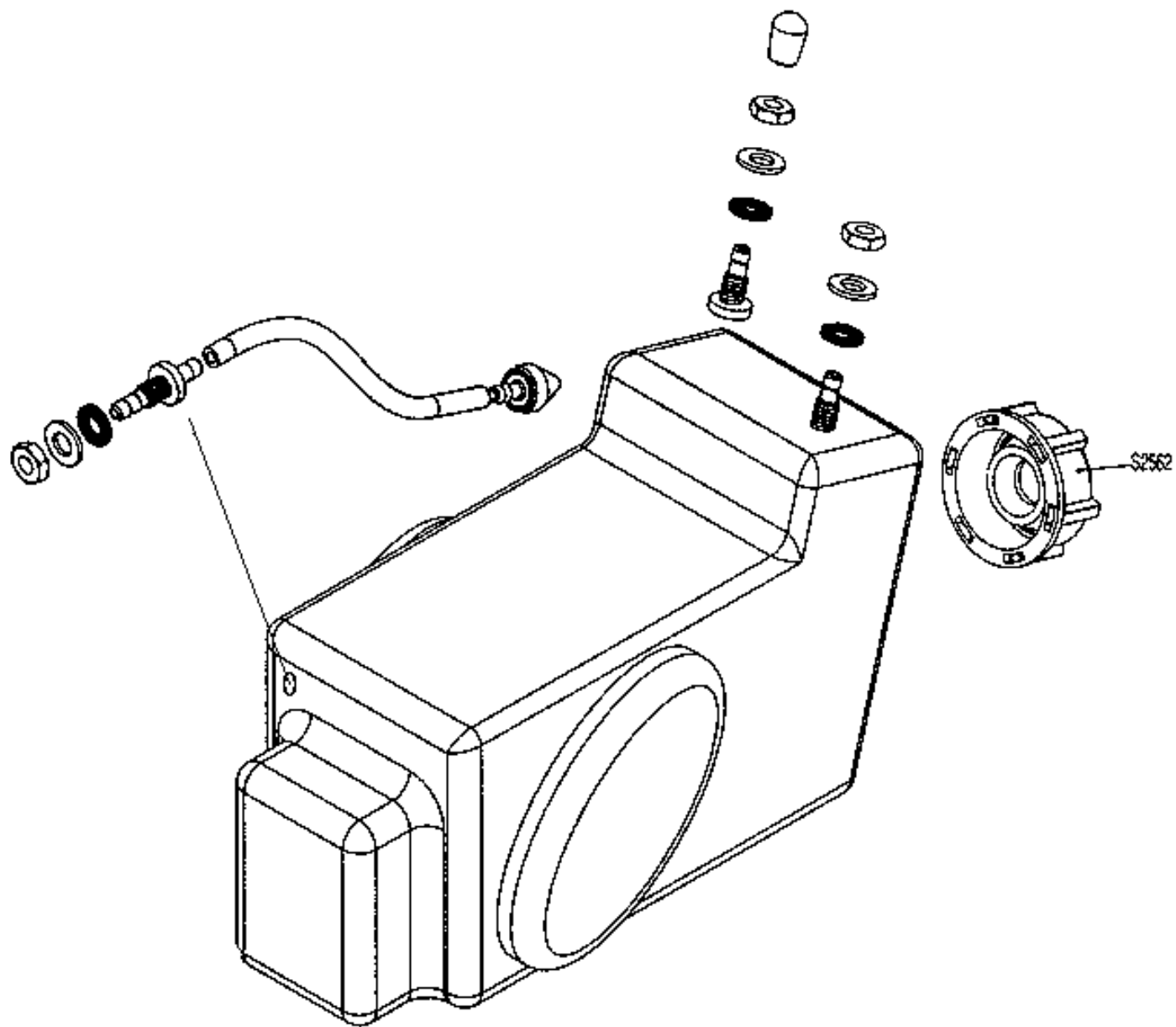


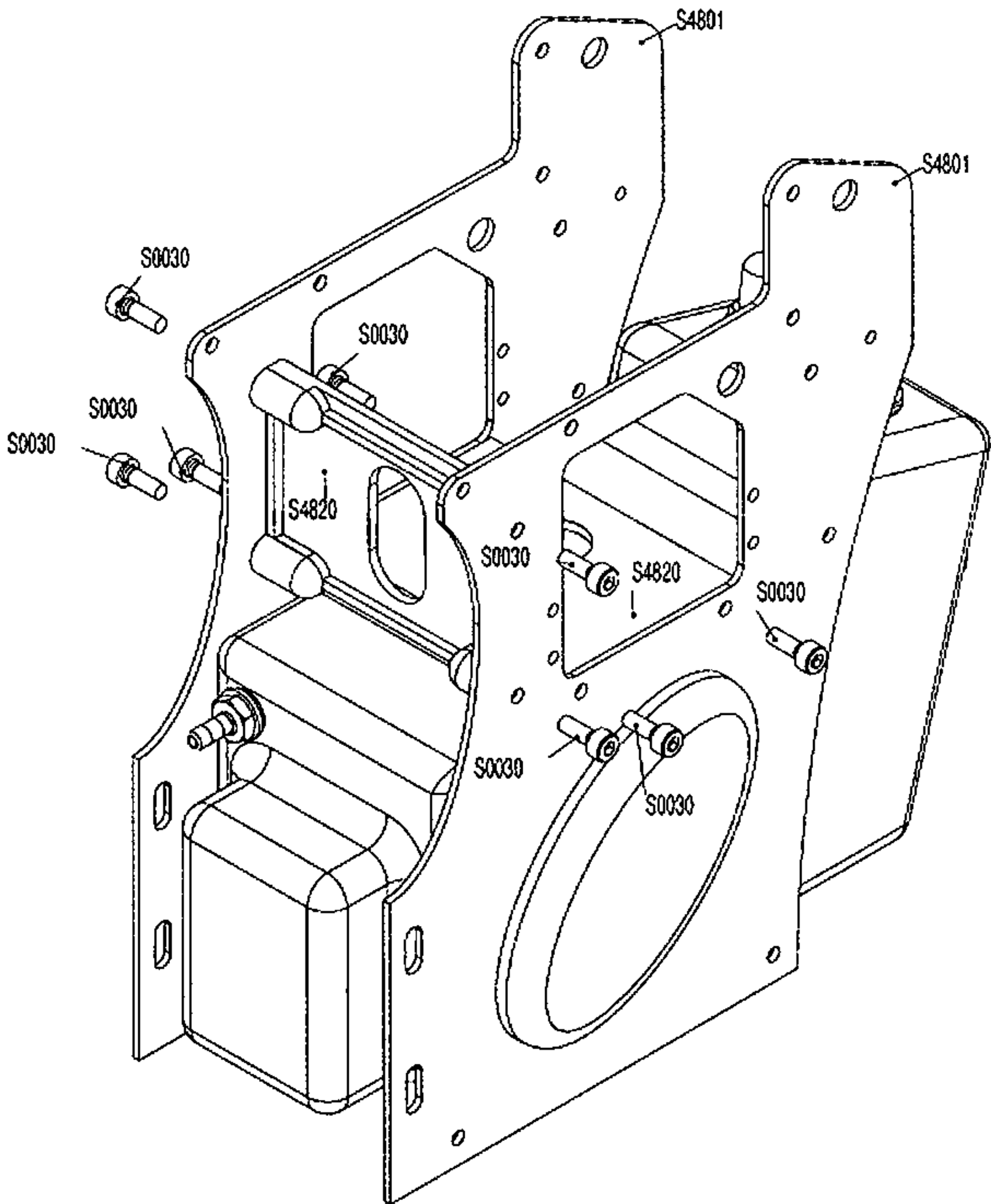
L

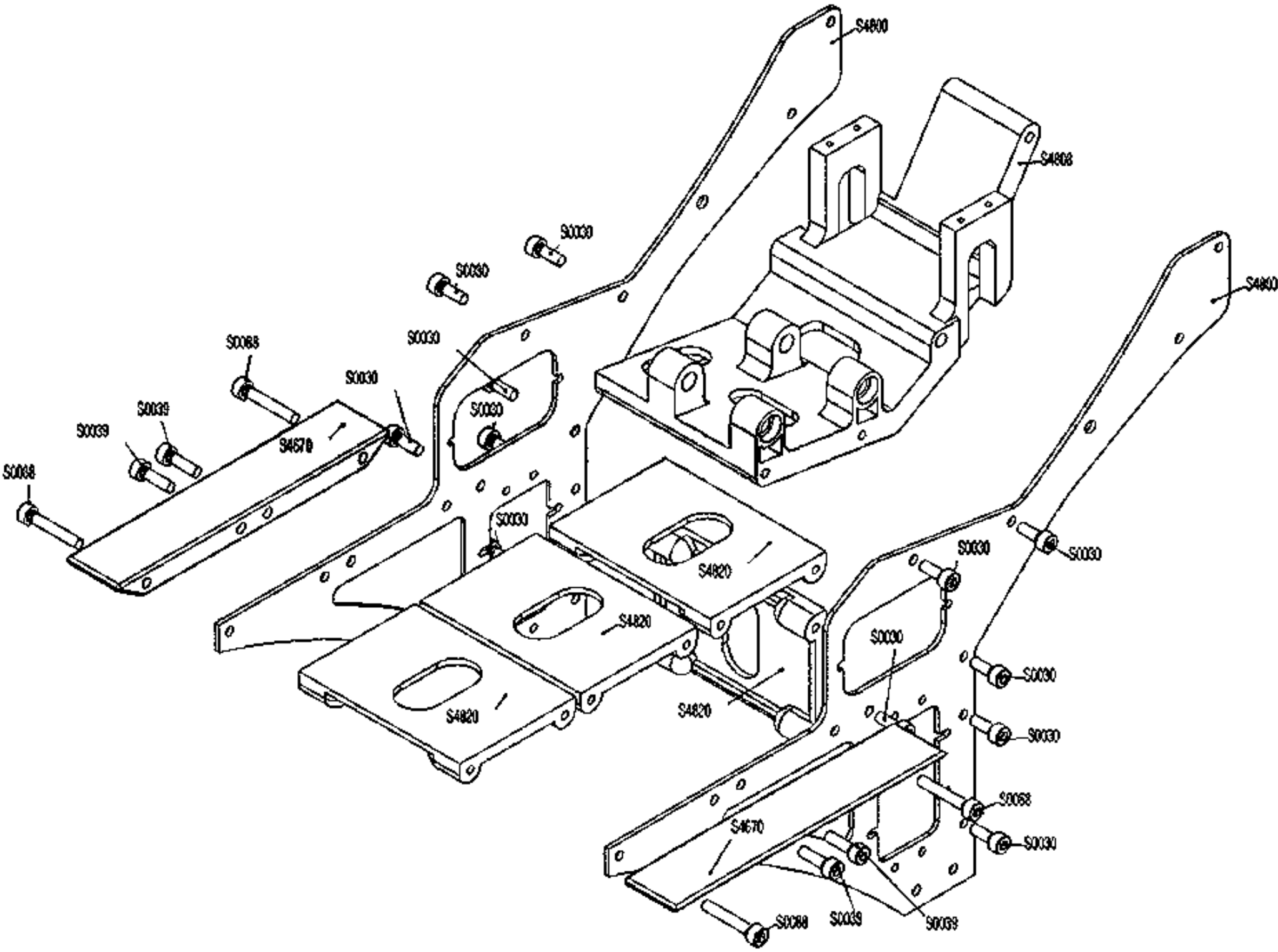
S4816

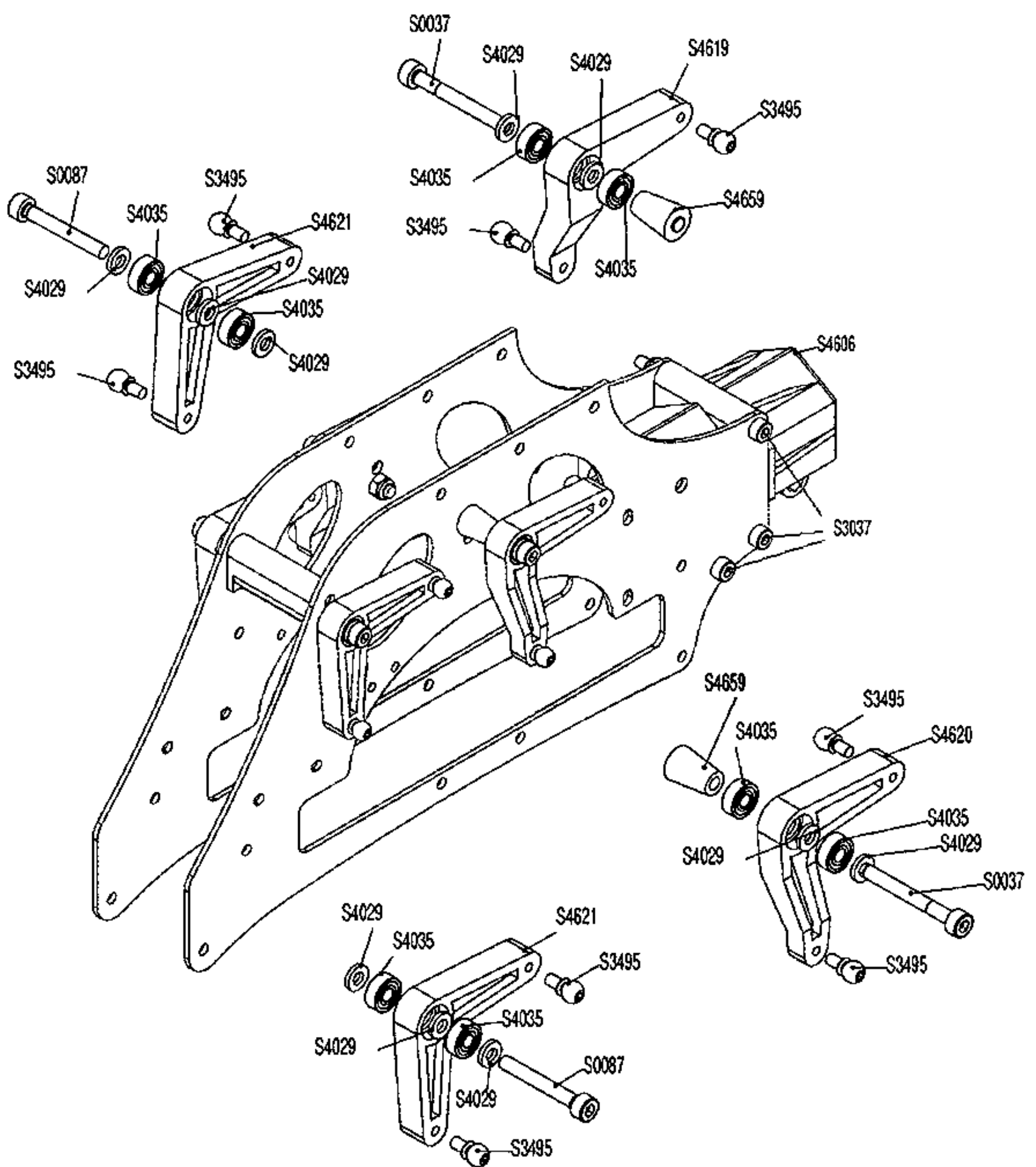


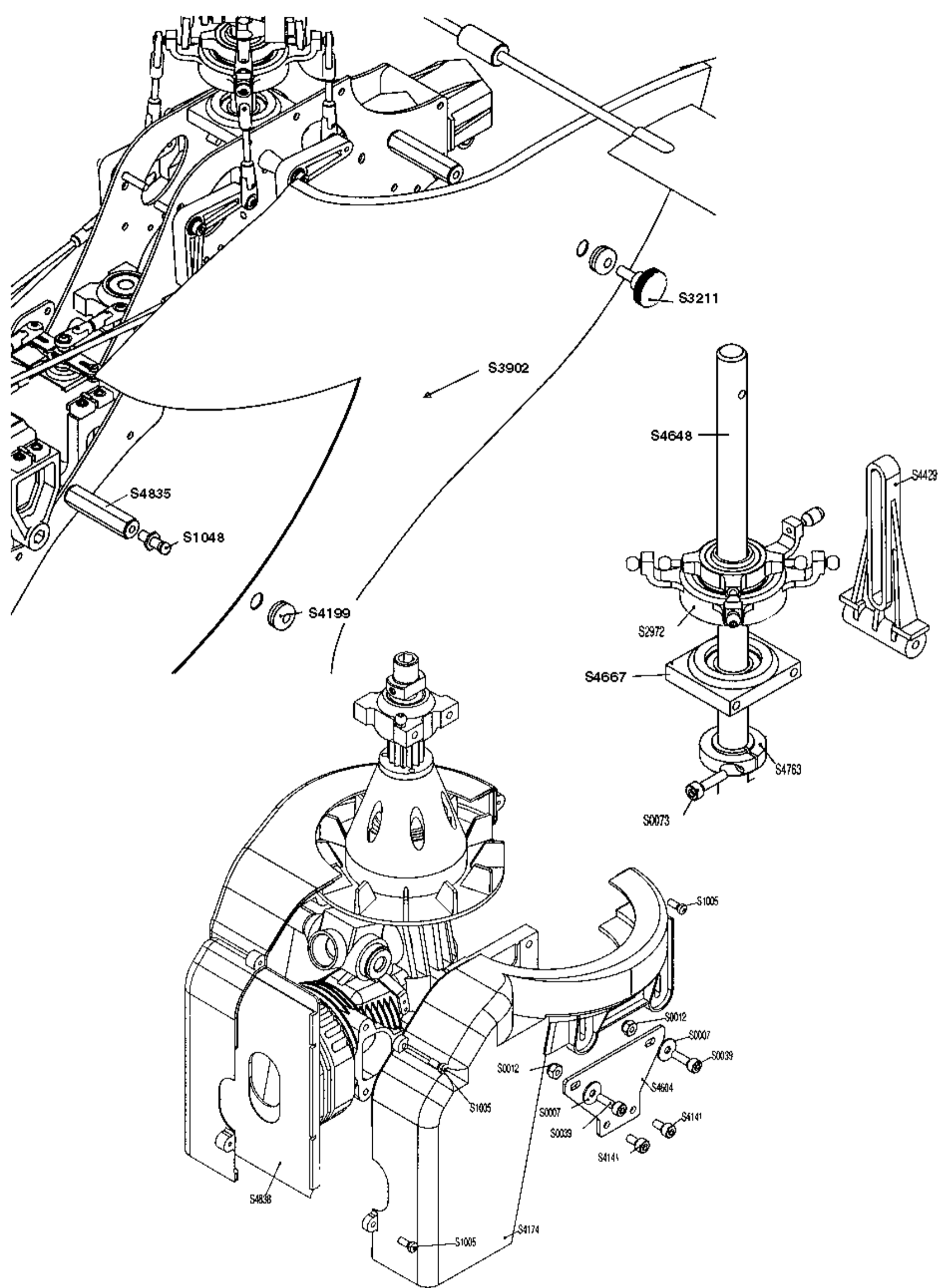


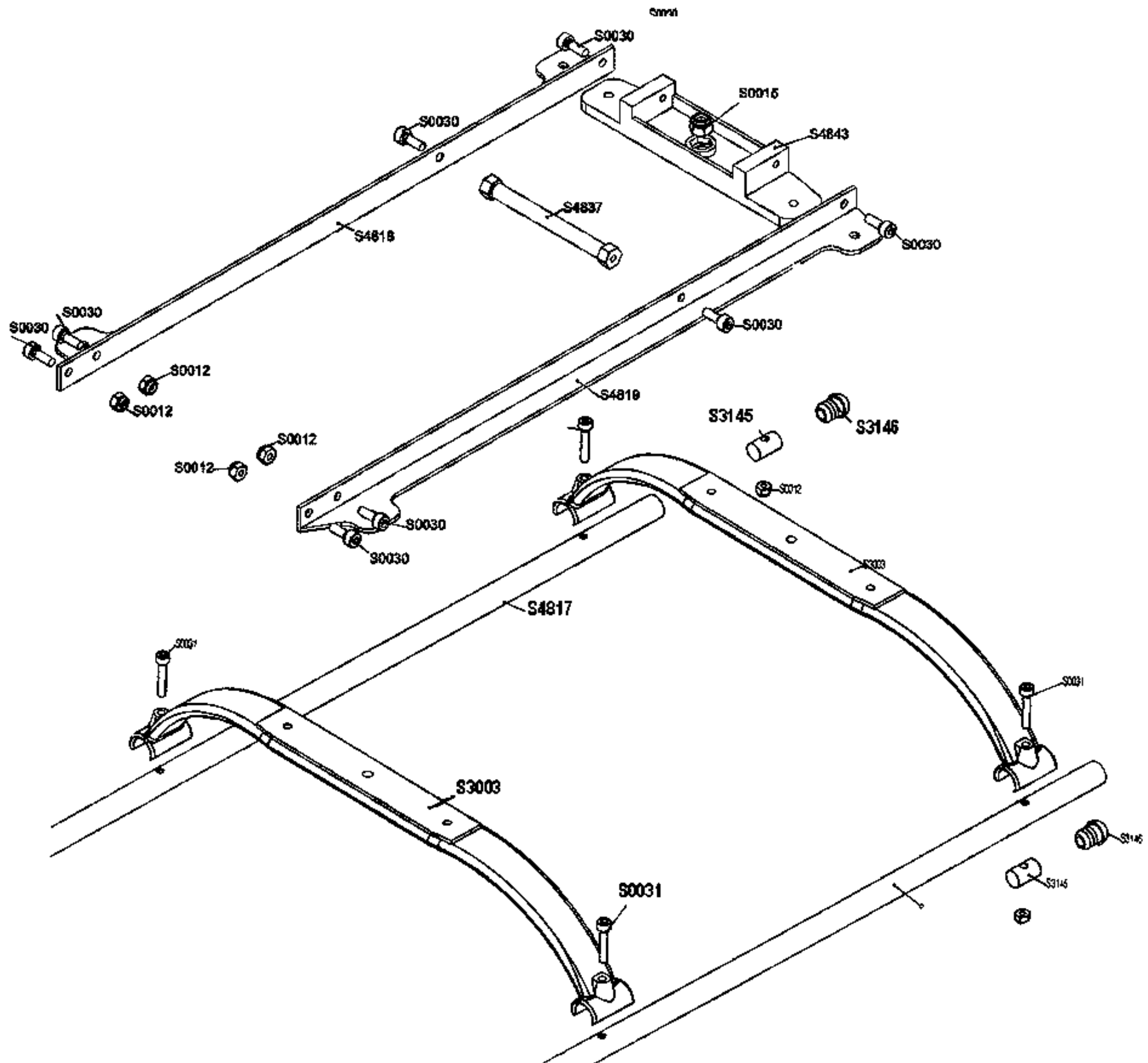


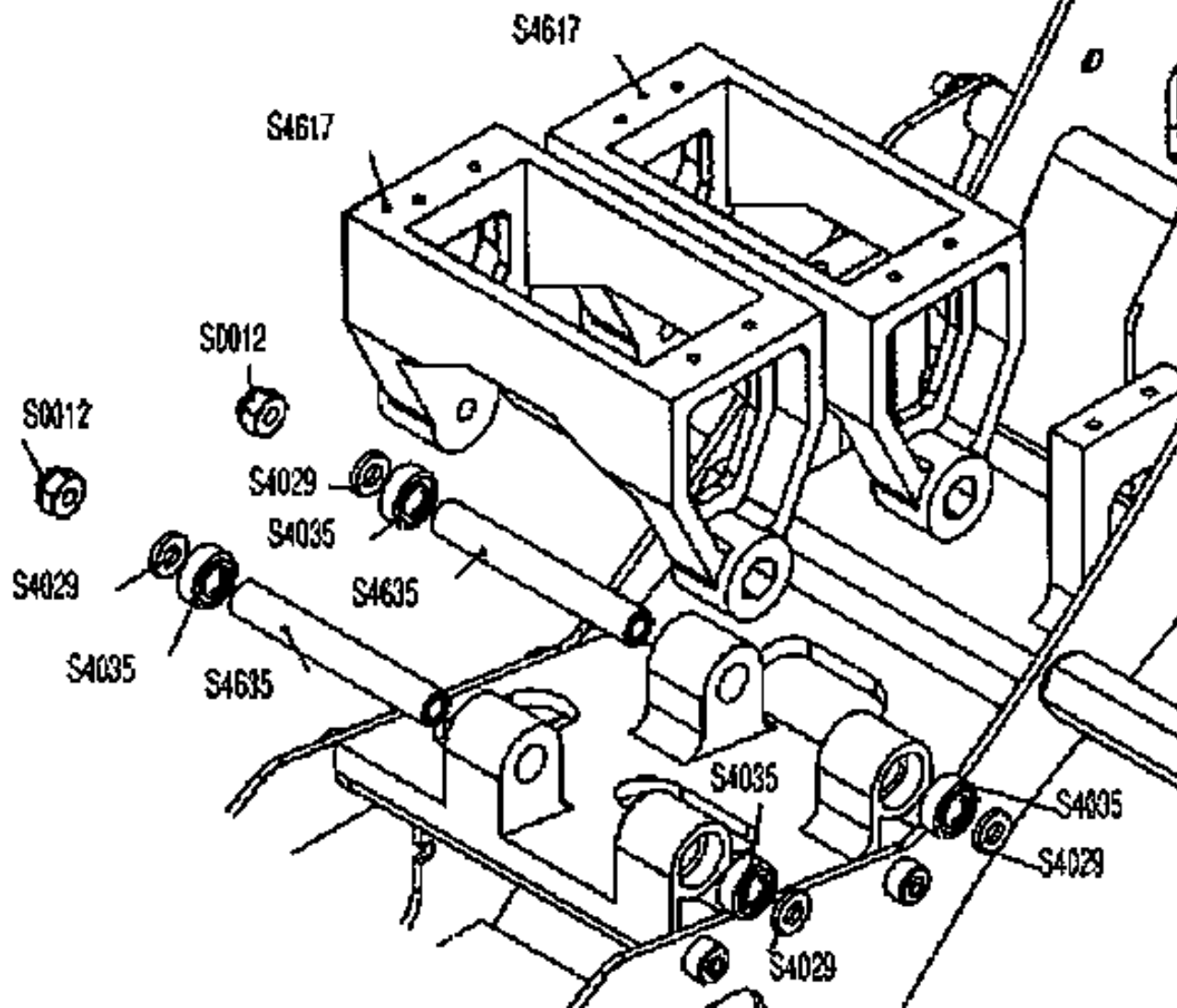


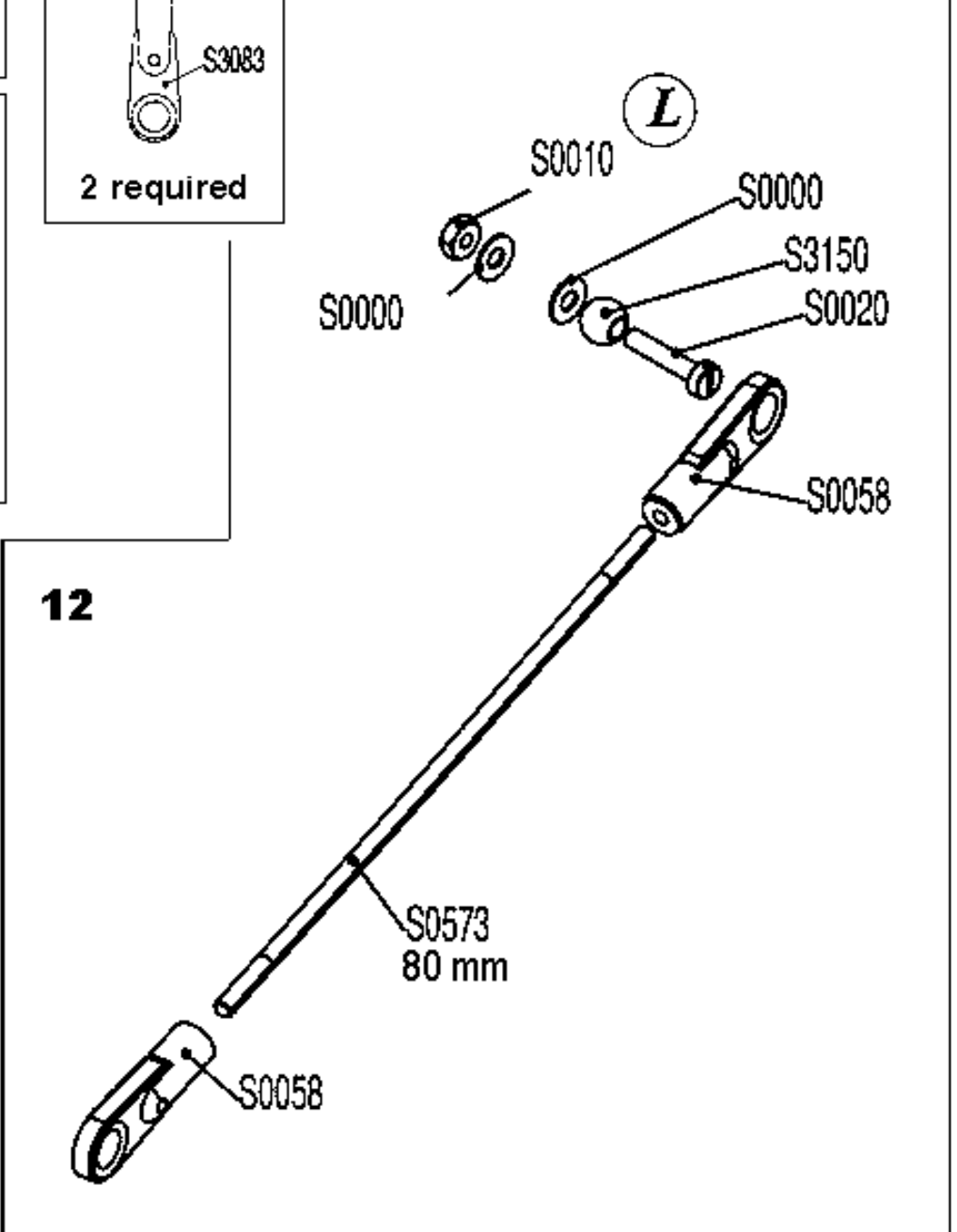
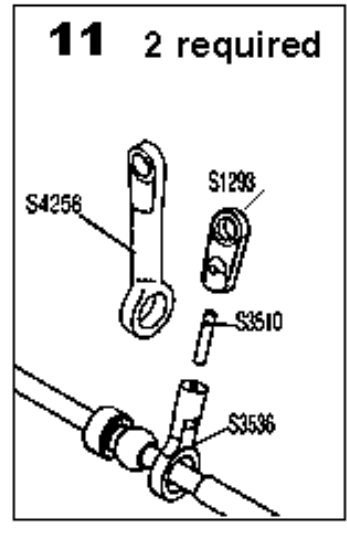
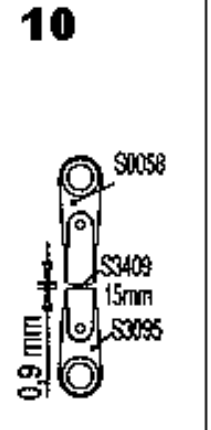
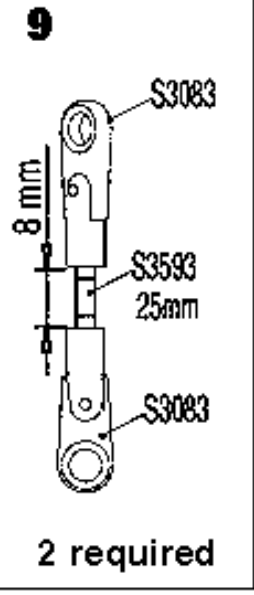
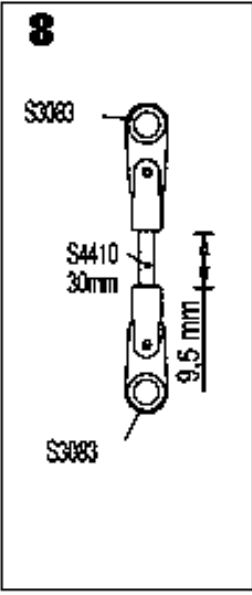
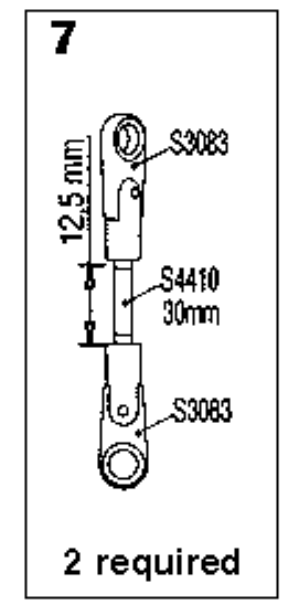
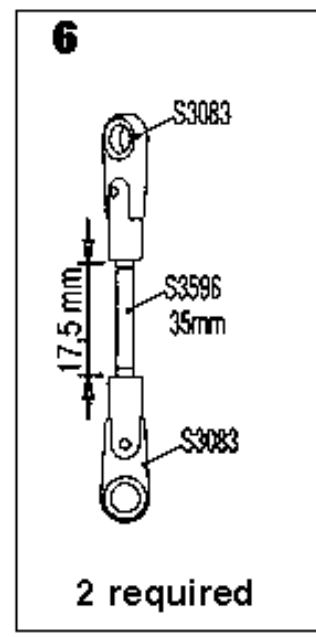
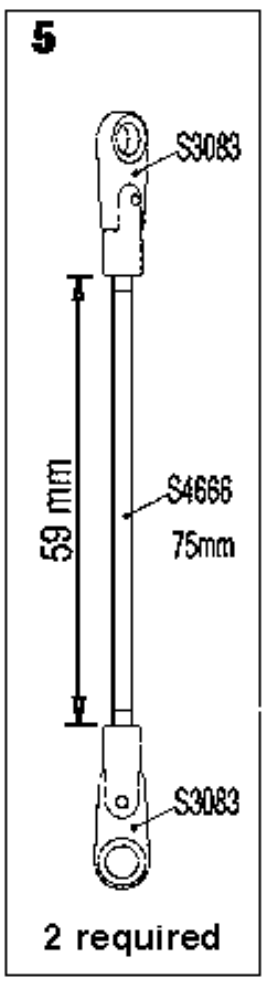
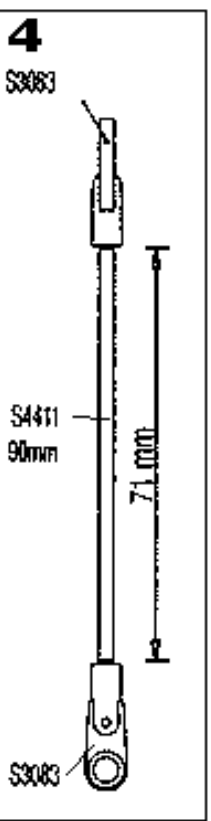
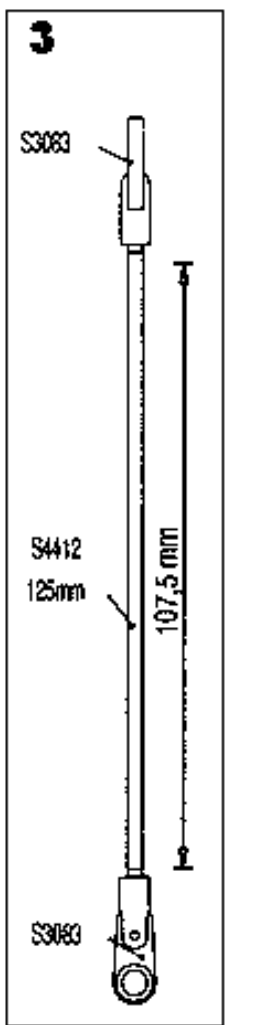
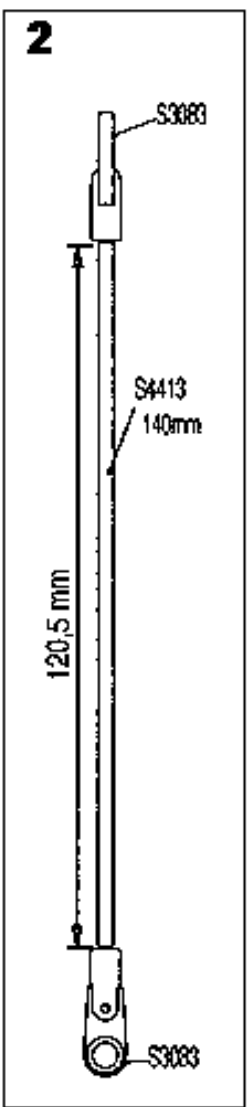
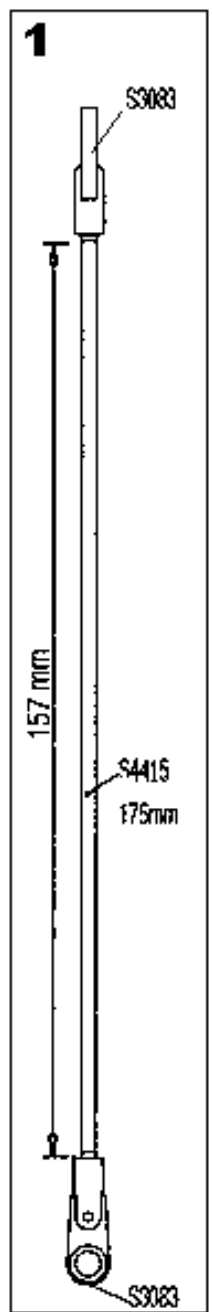












- 1 - Servo 3 (roll) - Left Rear Bellcrank
- 2 - Servo 2 (pitch) - Right Rear Bellcrank
- 3 - Servo 3 (roll) - Right Front Bellcrank
- 4 - Servo 2 (pitch) Left Front Bellcrank
- 5 - Inner Swashplate - Inner Bellmixer (takes 2)
- 6 - Outer Swashplate - Left Front and Right Rear Bellcranks (takes 2)
- 7 - Outer Swashplate - Left Rear and Right Front Bellcranks (takes 2)
- 8 - Servo 2 (pitch) - Servo 1 (collective)
- 9 - Washout arms - Flybar Control Arms

- 10 - Servo 1 (collective) - Clutch Bearing Block
- 11 - Flybar - Outer Bellmixer
- 12 - Throttle control. Adjust so that the overall length is equal to the distance between the servo spline and the center of the throttle barrel.
- 13 - Tail Rotor control. Adjust so that the the heli hovers at a low gyro rate and all tail rotor mixes off. Do not use heading hold mode when adjusting this rod to it's initial length.

