



Parts List

Odin 90

Version 2.5/2009

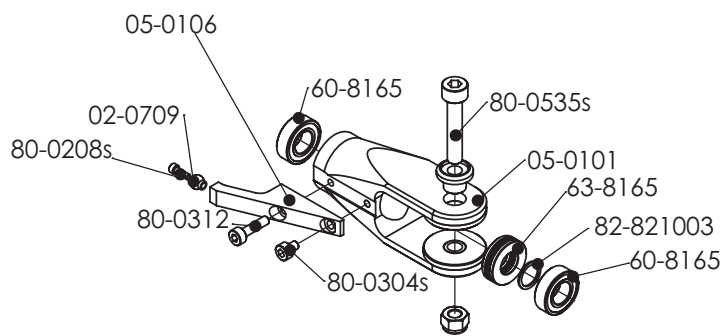
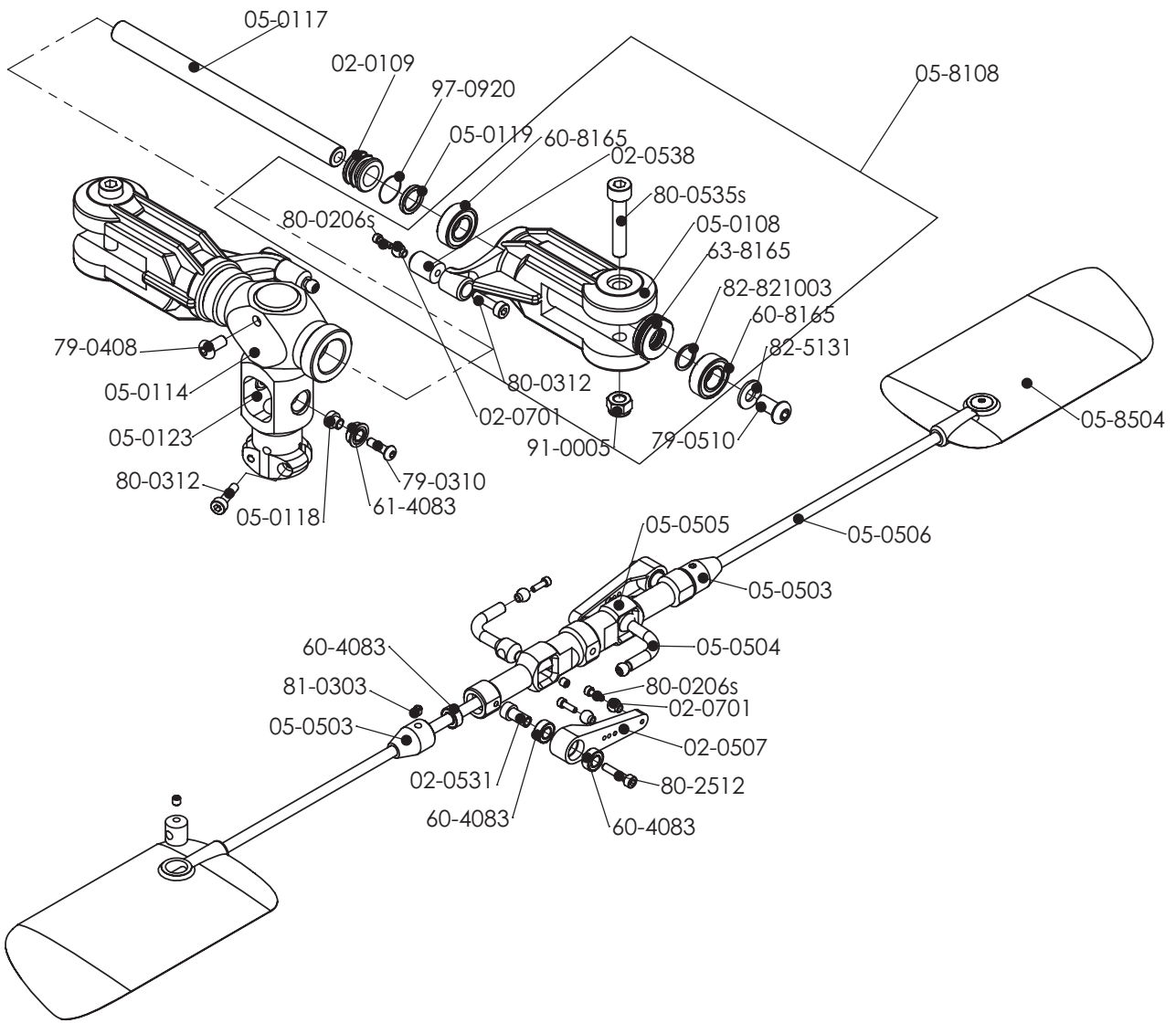


How to order your parts!

1. Check part number on the drawing
2. Use the part number to find the ORDER number on the list
3. Only use ORDER number for your parts order

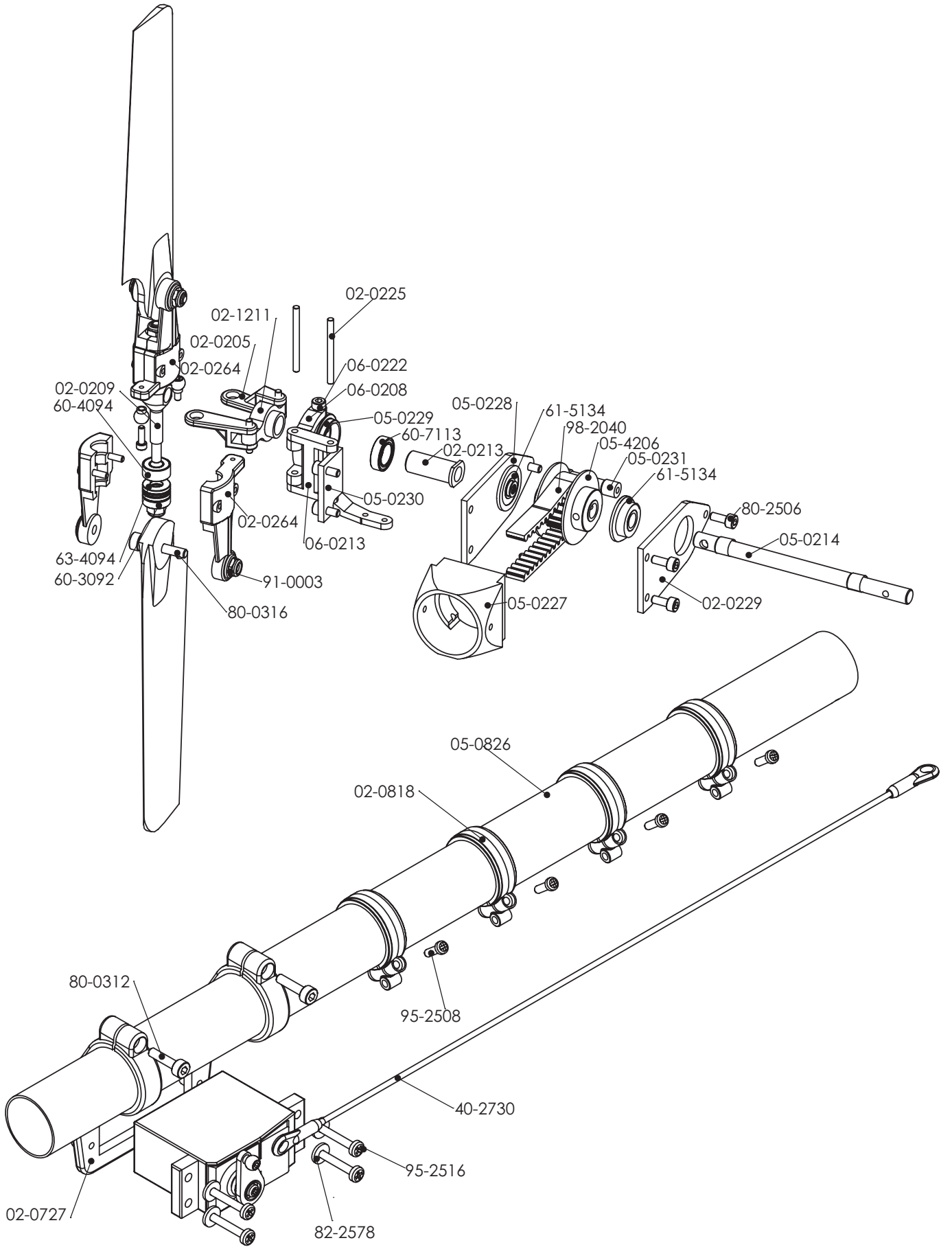
Copyright Compass Model 2008

As we continue to improve our products; this parts list may not reflect all recent product amendments.
For more information, please refer to; www.compassmodel.com

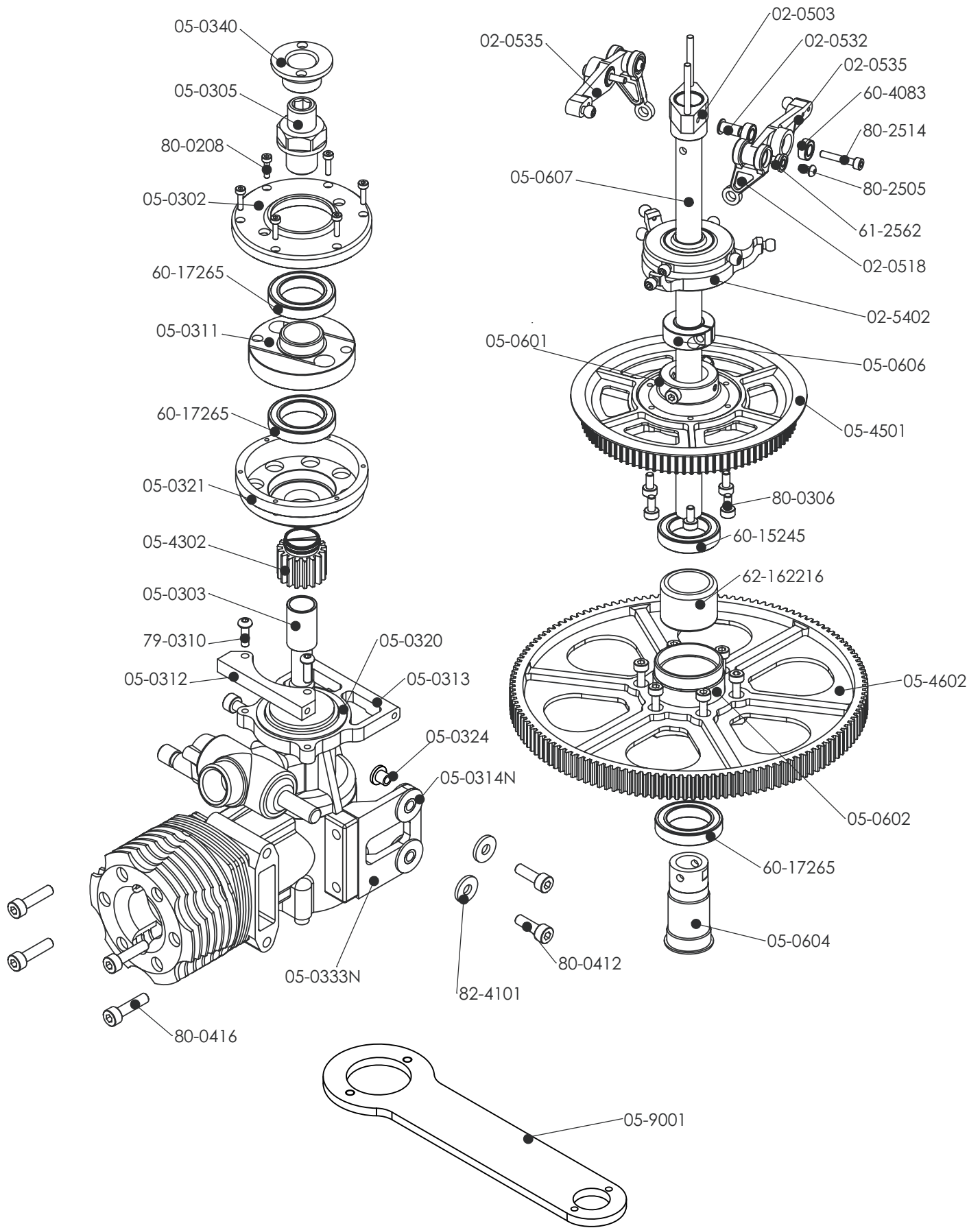


Metal Grip 05-0101s

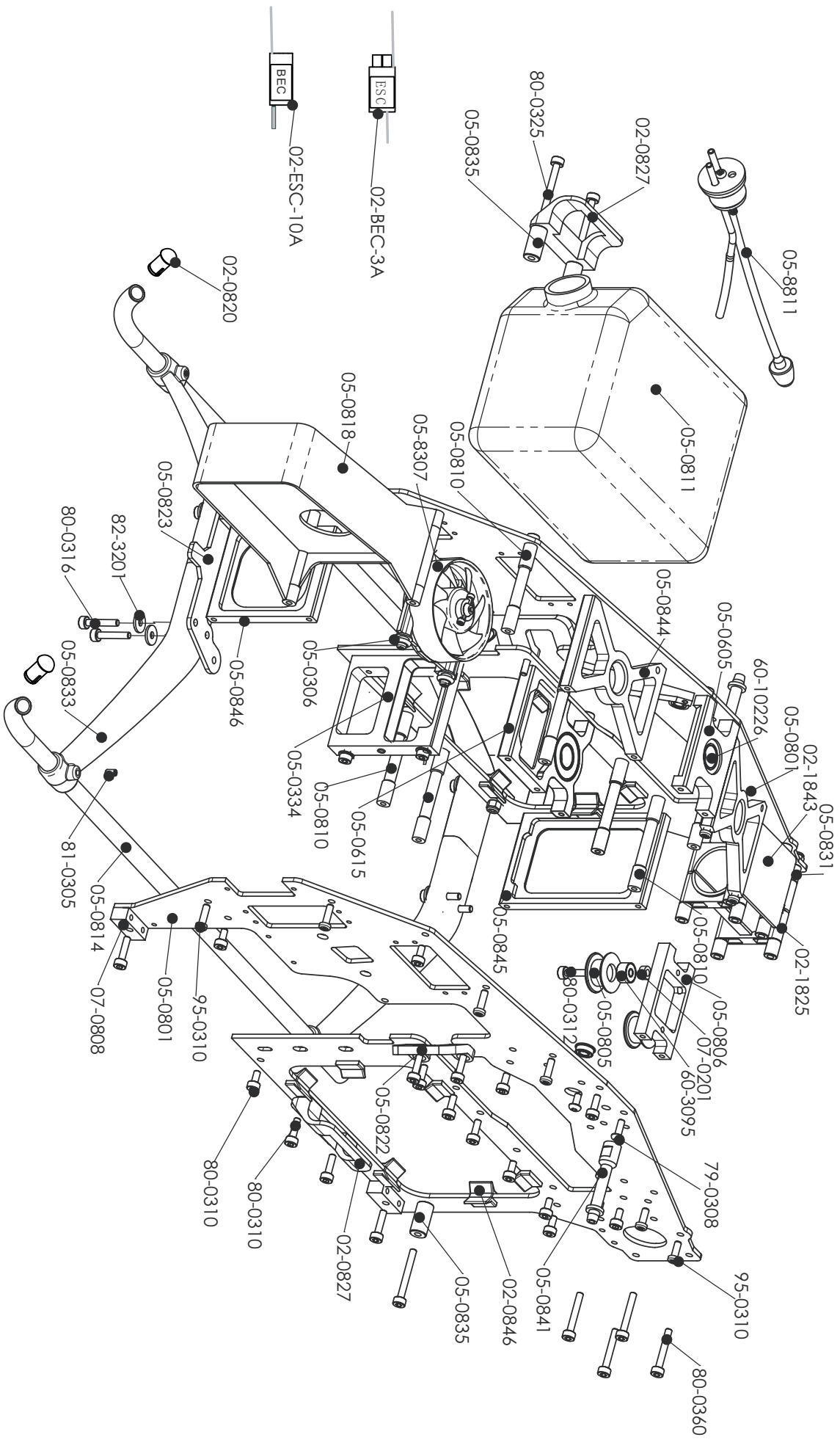
Part No.	Part Description	Order No.	内容	Order Description	Qty,
02-0109	Delrin dampener 8mm	02-0109	8毫米pom减震胶	Delrin dampener 8mm	2 pcs/bag
02-0507	Mixing arm set	02-0507	塑料混合臂	Mixing arm set	2 pcs/bag
02-0531	Bushing	02-0531S	黄铜套	Bushing set (includes 3 sizes)	6 pcs/bag
02-0538	Control ball spacer	02-0538	球头接柱	Control ball spacer	2pcs/bag
02-0701	Stainless link balls	02-0701	球頭	Stainless link balls	10 pcs/bag
05-0101	Metal grip body	05-0101s	大桨夹	Metal grip set w, bearings	2set/bag
05-0106	Metal grip arm	05-0106s	桨夹摇臂	Metal grip arm w, bolt	2pcs/bag
05-0108	main grip	05-0108	大桨夹	main grip	2pcs/bag
05-0114	Yoke	05-0123S	旋翼芯	Rotor hub w, yoke	1set/bag
05-0117	spindle	05-0117	横轴	spindle	2pcs/bag
05-0118	collar (Flybar Support)	05-0118	套	collar (Flybar Support)	2pcs/bag
05-0119	Spindle Washer (90)	05-0119	横轴套	Spindle Washer (90)	2pcs/bag
05-0123	Rotor Hub	05-0123S	旋翼芯	Rotor hub w, yoke	1set/bag
05-0503	Flybar collar	05-0503	稳定翼套	Flybar collar	2pcs/bag
05-0504	Flybar control arm	05-0504	稳定翼摇臂	Flybar control arm w, set sc	2pcs/bag
05-0505	Flybar Support	05-0505	翘板组成	Flybar Support w, BB	1pcs/bag
05-0506	Flybar	05-0506	稳定翼轴	Flybar	3pcs/bag
05-8108	Main grip set (plastic)	05-8108	大桨夹总成	Main grip set (plastic)	2set/bag
05-8504	Paddle	05-8504	稳定翼	Paddle	2pcs/bag
60-4083	Ball bearing 4x8x3	60-4083	轴承	Ball bearing 4x8x3	5 pcs/bag
60-8165	Ball bearing 8x16x5	60-8165	轴承	Ball bearing 8x16x5	2 pcs/bag
61-4083	Flanged bearing 4x8x3	61-4083	有边轴承	Flanged bearing 4x8x3	5 pcs/bag
63-8165	Thrust bearing 8x16x5	63-8165	压力轴承	Thrust bearing 8x16x5	2 set/bag
79-0310	Button Head Bolt M3x10	79-0310	球头螺丝M3x10	Button Head Bolt M3x10	10pcs/bag
79-0408	Button Head Bolt M4x8	79-0408	球头螺丝M3x10	Button Head Bolt M4x8	10pcs/bag
79-0510	Button Head Bolt M5x10	79-0510	球头螺丝M5x10	Button Head Bolt M5x10	10pcs/bag
80-0206s	Cap Head Bolt 2x6 for link	80-0206s	杯头螺丝2x6特制	Cap Head Bolt 2x6 for link	10pcs/bag
80-0208s	Cap Head Bolt 2x8 for link	80-0208s	杯头螺丝2x8特制	Cap Head Bolt 2x8 for link	10pcs/bag
80-0304s	Cap Head Bolt 3x4 for grip	80-0304s	杯头螺丝3x4特制	Cap Head Bolt 3x4 for grip	2pcs/bag
80-0312	Cap Head Bolt M3x12	80-0312	杯头螺丝M3x12	Cap Head Bolt M3x12	10pcs/bag
80-0535s	Cap Head Bolt M3x35 Short	80-0535s	杯头螺丝M3x35特制	Cap Head Bolt M3x35 Short	2pcs/bag
80-2512	Cap Head Bolt M2.5x12	80-2512	杯头螺丝M2.5x12	Cap Head Bolt M2.5x12	10pcs/bag
81-0303	Set Screw M3x3	81-0303	机米M3x3	Set Screw M3x3	10pcs/bag
82-5131	Washer 5x13x1	82-5131	垫圈 5x13x1	Washer 5x13x1	10pcs/bag
82-821003	Washer 8.2x10x0.3	82-821003	垫圈 8.2x10x0.3	Washer 8.2x10x0.3	10pcs/bag
91-0005	M5 Nylon nut	91-0005	保险螺母M5	M5 Nylon nut	2pcs/bag
97-0920	O ring 13.5x2 (for 8mm)	97-0920	胶圈	O ring 13.5x2 (for 8mm)	4 pcs/bag



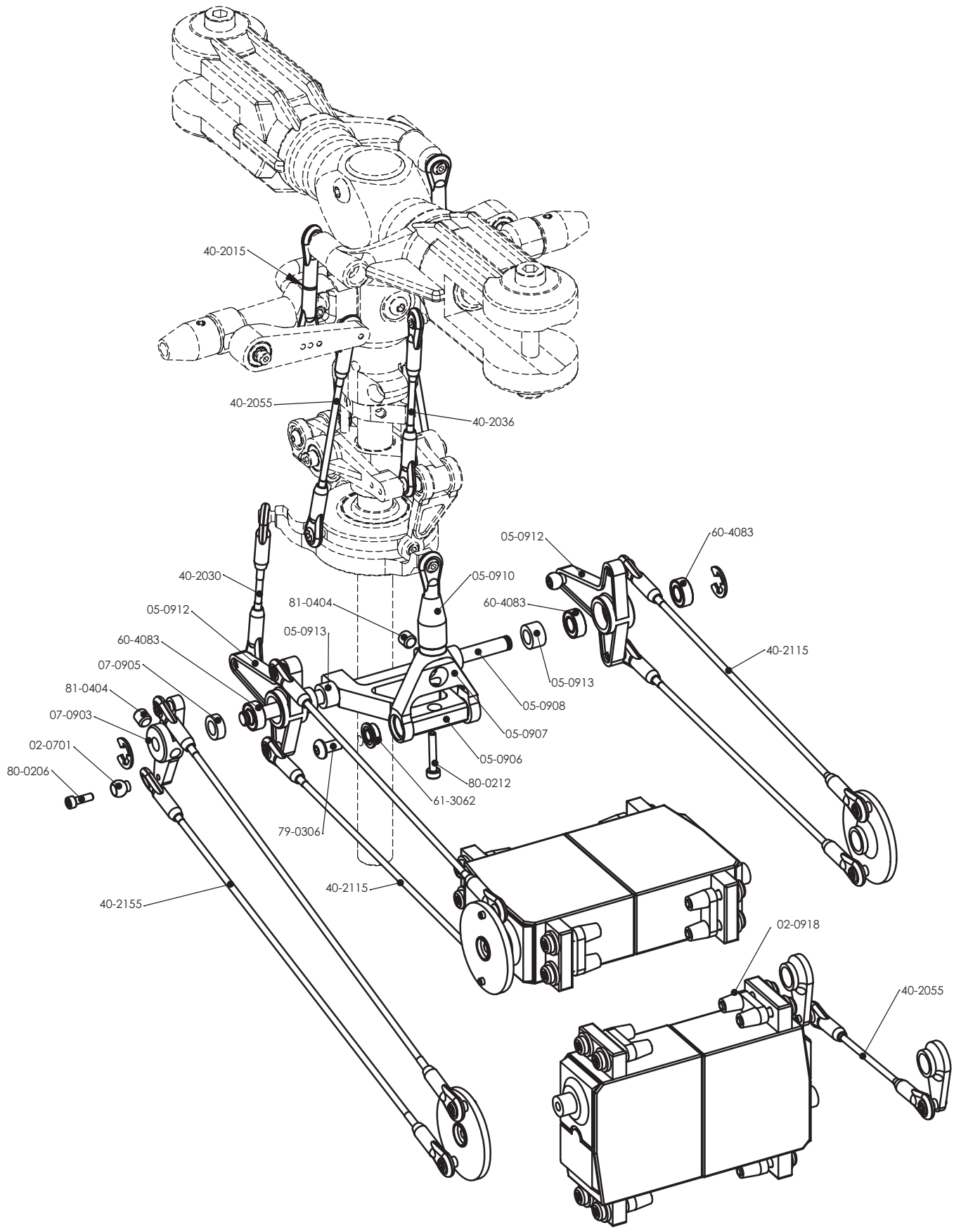
Part No.	Part Description	Order No.	内容	Order Description	Qty,
02-0205	Tail blade link	02-0205S	尾桨接头组成	Tail blade links	2 pcs/bag
02-0209	Tail rotor hub	02-0209	尾桨芯	Tail rotor hub	1 pcs/bag
02-0213	Tail slide ring sleeve	02-0213	滑套	Tail slide ring sleeve	1 pcs/bag
02-0225	Grooved parallel pin			Provided w, 02-0205S	
02-0229	Gear box frame	05-0227Z	尾齿轮箱 (50)	New Tail Gear Box (3D metal)	1 set/bag
02-0264	Tail blade holder	02-0264AB	尾桨夹组成	Tail blade holder	2 pcs/bag
02-0727	Tail boom servo mount	02-0727S	尾舵机架	Tail boom servo mount set plastic	1set/bag
02-0818	Tail control rod guide clamp	02-0818s	尾控制杆保持架	Tail control rod guide clamp	4pcs/bag
02-1211	Tail pitch plate w, BB	02-1211	尾桨螺距杆	Tail pitch plate w, BB	1 pcs/bag
05-0214	Tail shaft	05-0214	尾轴	Tail shaft	2 pcs/bag
05-0227	Gear box set	05-8227z	尾齿轮箱套	Gear box set	1set/bag
05-0228	Gear box frame	05-8227z	尾齿轮箱套	Gear box set	1set/bag
05-0229	Tail pitch slider	05-0229s	尾桨螺距盘	Tail pitch slider w, BB	1pcs/bag
05-0230	Tail hinge			Provided w,05-8227z	
05-0231	Gear Box Member	05-0231	齿轮箱接柱	Gear Box Member	2pcs/bag
05-0826	Boom	05-0826	尾管	Boom	2pcs/bag
05-4206	Tail Pulley	05-4206	尾皮带轮	Tail Pulley	1pcs/bag
		05-4206M	尾皮带轮(金属)	Tail Pulley metal	1pcs/bag
06-0208	Tail pitch arm	06-0213s	尾螺距臂	Tail pitch arm w, H-arm & Pin	1set/bag
06-0213	Tail pitch H arm	06-0213s	尾螺距臂	Tail pitch arm w, H-arm & Pin	1set/bag
06-0222	Guide Pin Bolts	06-0222	导向销	Guide Pin Bolts	2pcs/bag
40-2730	Tail Link	40-2730	尾推杆	Tail Link	1pcs/bag
60-3092	Ball bearing 3x9x2.5	60-3092	轴承 3x9x2.5	Ball bearing 3x9x2.5	4 pcs/bag
60-4094	Ball bearing 4x9x4	60-4094	轴承 4x9x4	Ball bearing 4x9x4	5 pcs/bag
60-7113	Ball bearing 7x11x3	60-7113	轴承 7x11x3	Ball bearing 7x11x3	2 pcs/bag
61-5134	Flanged bearing 5x13x4	61-5134	有边轴承 5x13x4	Flanged bearing 5x13x4	2 pcs/bag
63-4094	Thrust Bearing 4x9x4	63-4094	压力轴承 4x9x4	Thrust Bearing 4x9x4	2 pcs/bag
80-0312	Cap Head Bolt M3x12	80-0312	杯头螺丝M3x12 特制	Cap Head Bolt M3x12	10pcs/bag
80-0316	Cap Head Bolt M3x16	80-0316	杯头螺丝M3x16 特制	Cap Head Bolt M3x16	10pcs/bag
80-2506	Cap Head Bolt M2.5x6	80-2506	杯头螺丝M2.5x6 特制	Cap Head Bolt M2.5x6	10pcs/bag
82-2578	Washer 2.5x7x8	82-2578	垫圈2.5x7x8	Washer 2.5x7x8	10pcs/bag
91-0003	Nylon nut M3	91-0003	尼龙保险螺母M3	Nylon nut M3	10pcs/bag
95-2508	Self Tapping Bolt 2.5x8	95-2508	自攻螺丝2.5x8	Self Tapping Bolt 2.5x8	10pcs/bag
95-2516	Self Tapping Bolt 2.5x16	95-2516	自攻螺丝2.5x16	Self Tapping Bolt 2.5x16	10pcs/bag
98-2040	Belt 3M-2040	98-2040	同步带	Belt 3M-2040	1pcs/bag



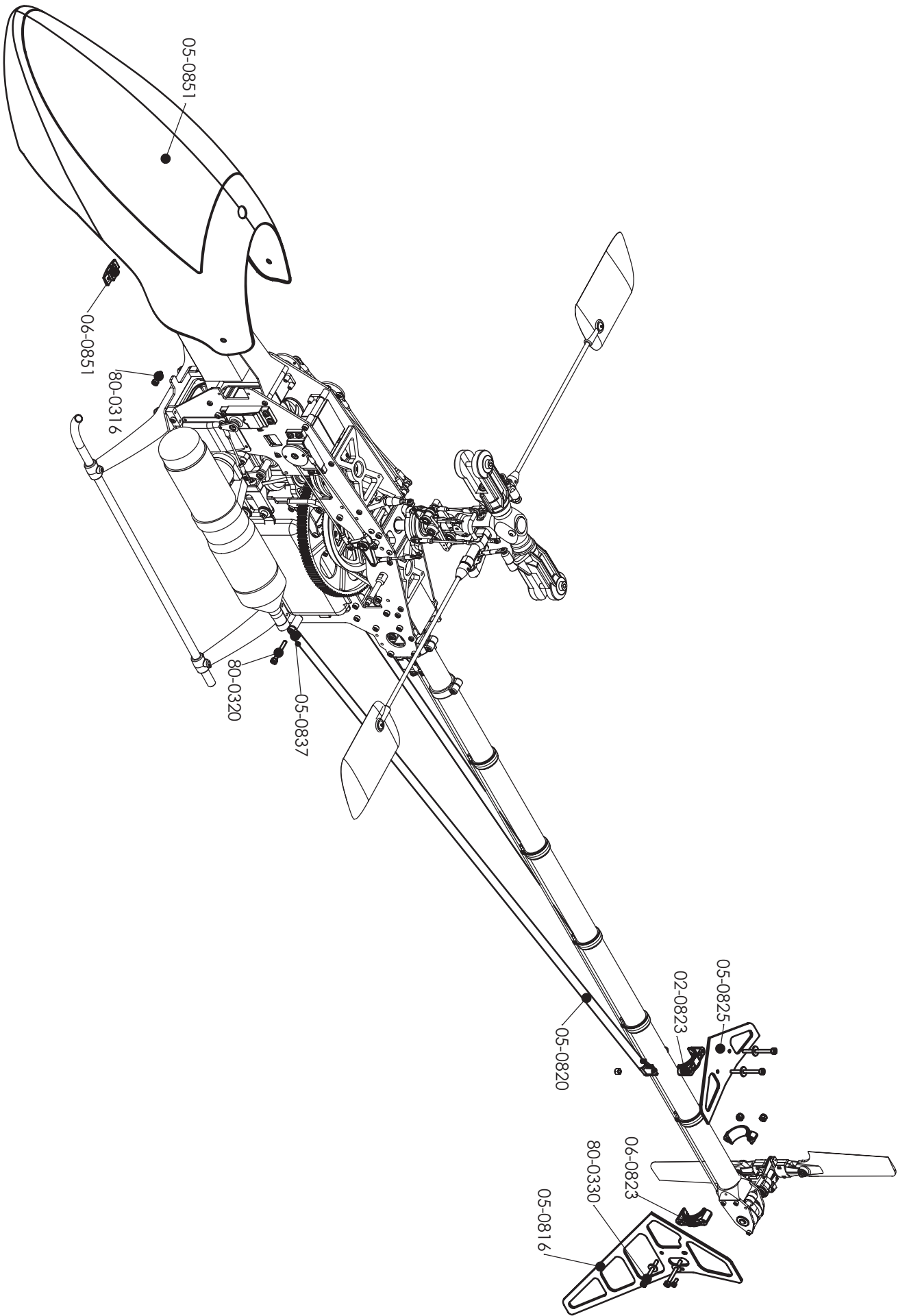
Part No.	Part Description	Order No.	内容	Order Description	Qty,
02-0503G	Washout base Grey	02-0503G	滑块组(灰色)	Washout base grey	1pcs/bag
02-0518	Washout links	02-0518	爪形臂座	Washout links	2 pcs/bag
02-0519G	Phasing control ring grey	02-0519G	爪块 灰色	Phasing control ring grey	1 pcs/bag
02-0532	Bushings	02-0531S	黄铜套	Bushing set (includes 3 sizes)	6 pcs/bag
02-0535	Washout control arm	02-0535	水平盘控制臂	Wash out control arm	2 pcs/bag
02-5402	Swashplate	02-5402	水平盘	Swashplate	1set/bag
05-0302	Clutch Bell	05-0302s	离合器钟	Clutch Bell w, Bolt&BB	1set/bag
05-0303	Clutch Collar	05-0303	离合器套	Clutch Collar	1set/bag
05-0305os	Starter Couple os	05-0305os	启动杯os	Starter Couple	1pcs/bag
05-0305ys	Starter Couple ys	05-0305ys	启动杯ys	Starter Couple ys	1pcs/bag
05-0311-OS	Clutch For OS	05-0311-OS	离合器 (os)	Clutch For OS	1set/bag
05-0311-YS	Clutch For YS	05-0311-YS	离合器 (ys)	Clutch For YS	1set/bag
05-0312	crank holder 1	05-0313s	引擎箍	crank holder	1set/bag
05-0313	crank holder 2	05-0313s	引擎箍	crank holder	1set/bag
05-0314N	New engine dampner	05-0314N	引擎减震垫	New engine dampner	4set/bag
05-0320os	crank dampner os	05-0320os	引擎箍胶os	crank dampner os	1set/bag
05-0320ys	crank dampner ys	05-0320ys	引擎箍胶ys	crank dampner ys	1set/bag
05-0321	Clutch Bell	05-0302s	离合器钟	Clutch Bell w, Bolt	1set/bag
05-0324	engine dampner bushing	05-0324	引擎胶芯	engine dampner bushing	4set/bag
05-0333N	New engine mount	05-0333N	引擎架组	New engine mount w.dampner & bushing	2set/bag
05-0340	governor mount	05-0340	定速仪座	governor mount	1set/bag
05-0601	Main pulley hub	05-0601	皮带轮座	Main pulley hub	1pcs/bag
05-0602	Autorotation hub	05-0602z	自旋轴壳	Autorotation hub w,one way bearing	1pcs/bag
05-0604	Autorotation sleeve	05-0604	自旋轴	Autorotation sleeve	1pcs/bag
05-0606	Mast lock	05-0606S	主轴挡块组成	Mast lock w, set screw	1pcs/bag
05-0607	Main shaft	05-0607	主轴	Main shaft	2pcs/bag
05-4302	Drive gear	05-4302	驱动齿轮	Drive gear	1pcs/bag
05-4501	Main pulley wheel	05-4501	皮带轮	Main pulley wheel	1pcs/bag
05-4602	Main gear	05-4602	主齿轮	Main gear	1pcs/bag
05-9001	Engine wrench	05-9001	引擎扳手	Engine wrench	1pcs/bag
60-15245	Ball bearing 15x24x5	60-15245	轴承 15x24x5	Ball bearing 15x24x5	2pcs/bag
60-17265	Ball bearing 17x26x5	60-17265	轴承 15x24x5	Ball bearing 17x26x5	2pcs/bag
60-4083	Ball bearing 4x8x3	60-4083	轴承 4x8x3	Ball bearing 4x8x3	5 pcs/bag
61-2562	Flanged Bearing 2.5x6x2.6	61-2562	有边轴承2.5x6x2.6	Flanged Bearing 2.5x6x2.6	4 pcs/bag
62-162216	One way bearing 16x22x16	62-162216	单向轴承 16x22x16	One way bearing 16x22x16	1 pcs/bag
79-0310	Button Head Bolt M3x10	79-0310	球头螺丝 M3x10	Button Head Bolt M3x10	10pcs/bag
80-0208s	Cap Head Bolt 2x8 for linkballs	80-0208s	杯头螺丝2x8特制	Cap Head Bolt 2x8 for linkballs	10pcs/bag
80-0306	Cap Head Bolt M3x6	80-0306	杯头螺丝 M3x6	Cap Head Bolt M3x6	10pcs/bag
80-0308	Cap Head Bolt M3x8	80-0308	杯头螺丝M3x8	Cap Head Bolt M3x8	10pcs/bag
80-0310	Cap Head Bolt M3x10	80-0310	杯头螺丝 M3x10	Cap Head Bolt M3x10	10pcs/bag
80-0325	Cap Head Bolt M3x25	80-0325	杯头螺丝M3x25	Cap Head Bolt M3x25	10pcs/bag
80-0412	Cap Head Bolt M4x12	80-0412	杯头螺丝M4x12	Cap Head Bolt M4x12	4pcs/bag
80-0416	Cap Head Bolt M4x16	80-0416	杯头螺丝 M4x16	Cap Head Bolt M4x16	10pcs/bag
80-2505	Cap Head Bolt M2.5x5	80-2505	杯头螺丝 M2.5x5	Cap Head Bolt M2.5x5	10pcs/bag
80-2514	Cap Head Bolt M2.5x14	80-2514	杯头螺丝 M2.5x14	Cap Head Bolt M2.5x14	10pcs/bag
81-0305	Set Screw M3x5	81-0305	机米M3x5	Set Screw M3x5	10pcs/bag
82-4101	Washer 4x10x1	82-4101	垫圈4x10x1	Washer 4x10x1	10pcs/bag
91-0003	Nylon nut M3	91-0003	保险螺母M3	Nylon nut M3	10pcs/bag



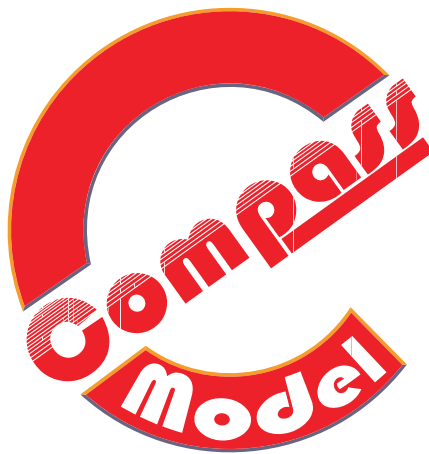
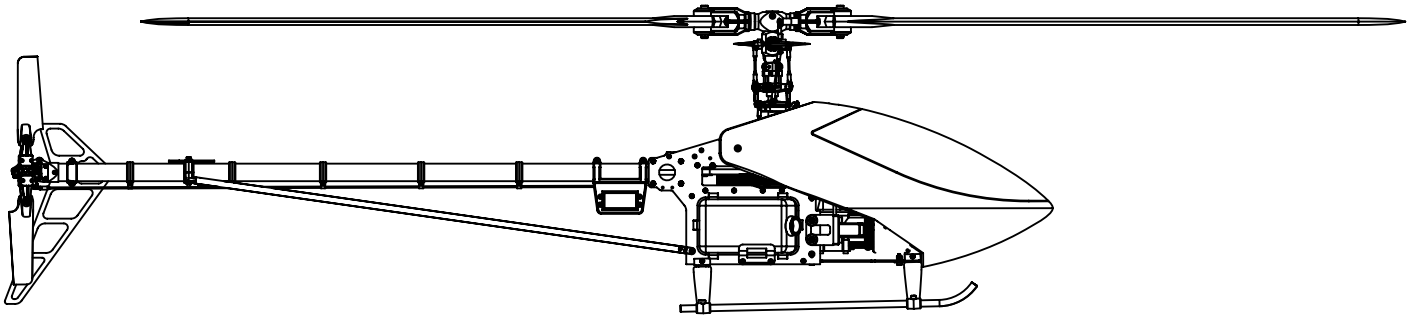
Part No.	Part Description	Order No.	内容	Order Description	Qty,
02-1825	Tail boom mount	02-1825s	尾管夹组成	Tail boom mount w, bolts	1set/bag
02-0827	Tank Mount	02-0827	油箱架	Tank mount	2 pcs/bag
02-1843	Gyro tray plastic	02-1843	陀螺架	Gyro tray plastic	1pcs/bag
02-0846	Tank dampener	02-0846	油箱减震垫	Tank dampener	8 pcs/bag
02-ESC-10A	Fan ESC	02-ESC-10A	风扇调速器	Fan ESC	1pcs/bag
02-BEC-3A	UBEC3A for 2 or 3 Cells	02-BEC-3A	3A调压器	UBEC3A for 2~3 cells	1pcs/bag
05-0306	Fan dampner	05-0306	风扇减震垫	Fan dampner	4pcs/bag
05-0334	Frame Spacer (long)	05-0334	加强筋 (长)	Frame Spacer	1pcs/bag
05-0605	Bearing block	05-0605Z	轴承座 (上)	Bearing block w,BB	1pcs/bag
05-0615	Bearing block (below)	05-0615	轴承座 (下)	Bearing block (below) w,	1set/bag
05-0801	Side frame	05-0801	侧板	Side frame	1pcs/bag
		05-0801T	碳纤维侧板	Side frame Carbon	1pcs/bag
05-0805	Guide pulley set	05-0805Z	滑轮组	Guide pulley set w, BB	2 pcs/bag
05-0806	Guide pulley mount	05-0806	压带轮座	Guide pulley mount	1pcs/bag
05-0810	Cross Member	05-0810	接柱	Cross Member	4pcs/bag
05-0811	Fuel tank assembly	05-0811s	油箱组合	Fuel tank assembly	1set/bag
05-8811	Tank cap set	05-8811	油箱塞子和箍	Tank cap, tube & weight	1set/bag
02-0820	Skid cap	02-0820	滑撬管堵头	Skid cap	4pcs/bag
05-0814	Skids	05-0814s	滑撬管	skids with caps	2pcs/bag
05-0818	Battery tray	05-0818	电池仓	Battery tray	1pcs/bag
05-0822	Spacer (ear)	05-0822	耳型筋	Spacer (ear)	2pcs/bag
05-0823	Canopy tray	05-0823	前档片	Canopy tray	1pcs/bag
05-0831	Gyro mount spacer	05-0831	陀螺架套	Gyro mount spacer	4pcs/bag
05-0833	Struts	05-0833	滑撬腿	Struts	2pcs/bag
05-0835	Tank spacer	05-0835	油箱接柱	Tank spacer	4pcs/bag
05-0841	Canopy post	05-0841	头罩接柱	Canopy post	2pcs/bag
05-0844	Frame Spacer(X)	05-0844	加强筋 (X)	Frame Spacer(X)	1set/bag
05-0845	Frame Spacer (back)	05-0845	加强筋 (后)	Frame Spacer (back)	1set/bag
05-0846	Frame Spacer (front)	05-0846	加强筋 (前)	Frame Spacer (front)	1set/bag
05-8307	Fan set	05-8307	风扇组成	Fan set with collar & bolt	1set/bag
07-0201	Collar			Provided w, 05-0805Z	
07-0808	Struts mount	07-0808	脚架座	Struts mount	4pcs/bag
60-10226	Bearing 10x22x6	60-10226	轴承10x22x6	Bearing 10x22x6	2pcs/bag
60-3095	Ball bearing 3x9x5	60-3095	轴承3x9x5	Ball bearing 3x9x5	2 pcs/bag
79-0308	Button Head Bolt M3x8	79-0308	球头螺丝M3x8	Button Head Bolt M3x8	10pcs/bag
80-0310	Cap Head Bolt M3x10	80-0310	杯头螺丝 M3x10	Cap Head Bolt M3x10	10pcs/bag
80-0312	Cap Head Bolt M3x12	80-0312	杯头螺丝M3x12	Cap Head Bolt M3x12	10pcs/bag
80-0316	Cap Head Bolt M3x16	80-0316	杯头螺丝M3x16	Cap Head Bolt M3x16	10pcs/bag
80-0325	Cap Head Bolt M3x25	80-0325	杯头螺丝M3x25	Cap Head Bolt M3x25	10pcs/bag
80-0360	Cap Head Bolt M3x60	80-0360	杯头螺丝M3x60	Cap Head Bolt M3x60	4pcs/bag
81-0305	Set Screw M3x5	81-0305	机米M3x5	Set Screw M3x5	10pcs/bag
82-3201	Washer 3.2x10x1	82-3201	垫圈3.2x10x1	Washer 3.2x10x1	10pcs/bag
95-0310	Self Tapping Bolt 2.5x8	95-0310	自攻螺丝3x10	Self Tapping Bolt 3x10	10pcs/bag



Part No.	Part Description	Order No.	内容	Order Description	Qty,
02-0701	Stainless link balls	02-0701	球頭	Stainless link balls	10 pcs/bag
02-0709	Ball links	02-0709	球頭接頭	Ball links	10 pcs/bag
02-0918	Servo nuts	02-0918	舵机螺母	Servo nuts	5 pcs/bag
05-0906	A-arm base	05-8907Z	A臂总成	A-arm & A-arm base set w, BB	1 set/bag
05-0907	A-arm	05-8907Z	A臂总成	A-arm & A-arm base set w, BB	1 set/bag
05-0908	Arm shaft	05-0908s	摇臂轴 (带套)	Arm shaft w,collar	1set/bag
05-0910	A-arm collar			provide w, 05-8907z	1set/bag
05-0912	T-leveler set	05-0912	斜T臂 (90)	T-leveler set	2pcs/bag
05-0913	Collar			Provided w, 05-0908s	
07-0903G	I-Lever Grey	07-0903G	I臂轴 灰色	I-Lever w, BB (alu), grey	1 pcs/bag
07-0905	Collar			Provided w, 05-0908s	
40-2015	linkage	E-Ig-05	连杆组	linkage set	15pcs/bag
40-2030	linkage				
40-2036	linkage				
40-2055	linkage				
40-2115	linkage				
40-2155	linkage				
60-4083	Ball bearing 4x8x3	60-4083	轴承 4x8x3	Ball bearing 4x8x3	5 pcs/bag
61-3062	Flanged bearing 3x6x2	61-3062	有邊軸承3x6x2	Flanged bearing 3x6x2	5 pcs/bag
79-0306	Button Head Bolt M3x6	79-0306	球头螺丝M3x6	Button Head Bolt M3x6	10pcs/bag
80-0206s	Cap Head Bolt 2x6 for linkballs	80-0206s	杯头螺丝2x6特制	Cap Head Bolt 2x6 for linkballs	10pcs/bag
80-0212	Cap Head Bolt M2x12	80-0212	杯头螺丝M2x12	Cap Head Bolt M2x12	10pcs/bag
80-0308	Cap Head Bolt M3x8	80-0308	杯头螺丝M3x8	Cap Head Bolt M3x8	10pcs/bag
80-0310	Cap Head Bolt M3x10	80-0310	杯头螺丝 M3x10	Cap Head Bolt M3x10	10pcs/bag
80-2508	Cap Head Bolt M2.5x8	80-2508	杯头螺丝 M2. 5x8	Cap Head Bolt M2.5x8	10pcs/bag
81-0404	Set Screw M4x4	81-0404	机米M4x4	Set Screw M4x4	10pcs/bag
82-2578	Washer 2.5x7x8	82-2578	垫圈2. 5x7x8	Washer 2.5x7x8	10pcs/bag
91-0003	Nylon nut M3	91-0003	保险螺母M3	Nylon nut M3	10pcs/bag
95-2508	Self Tapping Bolt 2.5x8	95-2508	自攻螺丝2. 5x8	Self Tapping Bolt 2.5x8	10pcs/bag
95-2516	Self tapping screw 2.5x16	95-2516	自攻螺丝2. 5x16	Self tapping screw 2.5x16	10pcs/bag



Part No.	Part Description	Order No.	内容	Order Description	Qty,
02-0823	Tail boom support clamp	02-0823AB	水平尾翼座组成	Tail boom support clamp	1 set/bag
05-0816	Vertical fin	05-0816	垂直尾翼	Vertical fin	1pcs/bag
05-0816T	Vertical fin carbon	05-0816T	垂直尾翼碳纤维	Vertical fin carbon	1pcs/bag
05-0820	Tail boom brace	05-0820s	尾撑杆	Tail boom brace	2pcs/bag
05-0825	Horizontal fin	05-0825	垂直尾翼	Horizontal fin	1pcs/bag
05-0825T	Horizontal fin carbon	05-0825T	碳纤维垂直尾翼	Horizontal fin carbon	1pcs/bag
05-0837	Tail boom brace connectors	05-0837s	尾撑杆接头	Tail boom brace connectors w, bolts	4pcs/bag
06-0823	Fin Mount	06-0823AB	垂直尾翼座	Fin Mount	1set/bag
05-0851p	painted canopy	05-0851p	喷油头罩	painted canopy	1set/bag
05-0851w	white canopy	05-0851w	白头罩	white canopy	1set/bag
06-0851	Canopy insert	06-0851	头罩插销	Canopy insert	1pcs/bag
80-0316	Cap Head Bolt M3x16	80-0316	杯头螺丝M3x16	Cap Head Bolt M3x16	10pcs/bag
80-0320	Cap Head Bolt M3x20	80-0320	杯头螺丝M3x20	Cap Head Bolt M3x20	10pcs/bag
80-0330	Cap Head Bolt M3x30	80-0330	杯头螺丝M3x30	Cap Head Bolt M3x30	10pcs/bag



Compass Model (Hong Kong) Ltd.

康柏模型(香港)有限公司

www.compassmodel.com